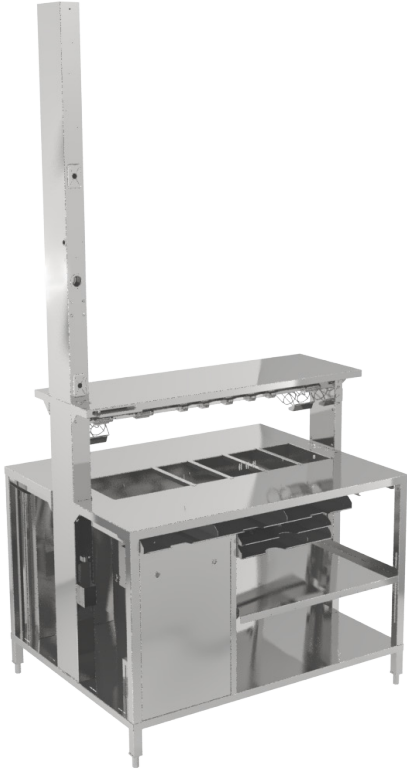


FRANKE FOODSERVICE SOLUTIONS

MODULE A ASSEMBLY

MODULAR CONFIGURATION



Item #:
Project:
Quantity:

18011925 MODULE A ASSEMBLY

PRODUCT OVERVIEW

Modular assembly allows easy reconfiguration for future kitchen evolution. Depending on production needs modules can be configured as A,B,C,D or A,C,B,D or A,B,C or A,C,B or A,B,D or A,B.

STANDARD PRODUCT FEATURES

- All stainless steel construction
- Main Sandwich Preparation Module
- Integrated power distribution to load center
- Pre-wired receptacles to power all appliances
- Condiment well built into countertop as well as raised double sided condiment rail
- Integrated and expanded flat wrap holders, including Whopper
- Bottom undershelf, adjustable intermediate storage shelves
- Built-in temperature controlled heated worktops
- Heavy duty overshelf accommodates any brand PHU
- Utility ceiling chase

MODULE A ASSEMBLY



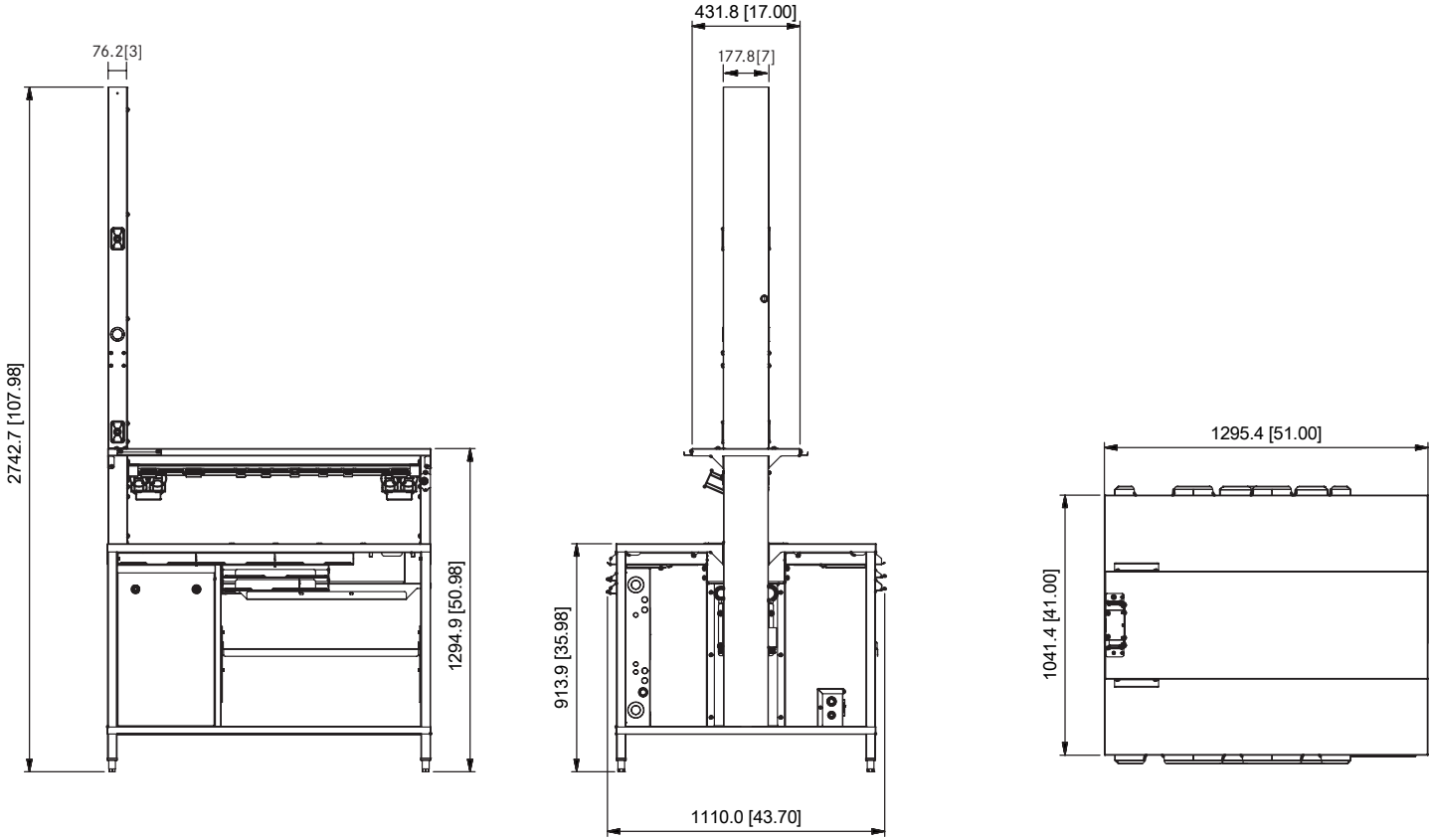
Approval _____

Franke Foodservice Solutions, Inc.
800 Aviation Parkway
Smyrna, TN 37167
Tel +1-877-379-3769
frankeamericas.com

*Make
it
Wonderful*



MODULE A ASSEMBLY



DIMENSIONS	Width	51" (1295.4mm)
	Depth	43.7" (1110.0mm)
	Height	107.98" (2742.7mm)
ELECTRICAL	Voltage	120/208-240V
	Phase	3PH
	Hertz/Frequency	60Hz
	Amps (by phase)	150 Amp Load Center

© 2016 Franke Foodservice Solutions, Inc. Due to continuous product development, Franke reserves the right to make changes in design and specifications without prior notice. Under license by Franke Technology and Trademark Ltd., Switzerland. Printed in USA.

Make it Wonderful



FRANKE FOODSERVICE SOLUTIONS

MODULE B ASSEMBLY

MODULAR CONFIGURATION

Item #:
Project:
Quantity:

18008869 MODULE B ASSEMBLY

MODULE B ASSEMBLY

PRODUCT OVERVIEW

Modular assembly allows easy reconfiguration for future kitchen evolution. Depending on production needs modules can be configured as A,B,C,D or A,C,B,D or A,B,C or A,C,B or A,B,D or A,B.



STANDARD PRODUCT FEATURES

- All stainless steel construction
- Heavy duty work top features under counter storage rails for 10 bun racks
- Accommodates up to two (2) High Speed Toasters
- Integrated power distribution
- Pre-wired receptacles for Toasters
- Built-in temperature controlled heated worktops



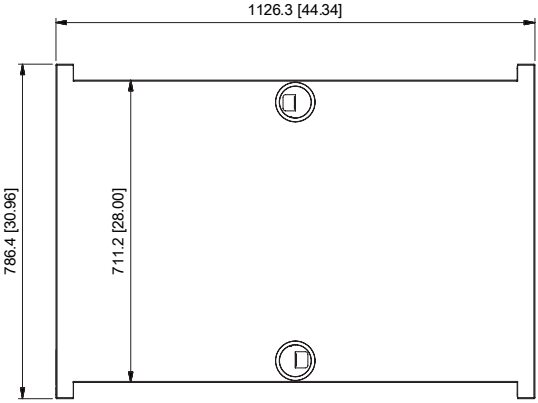
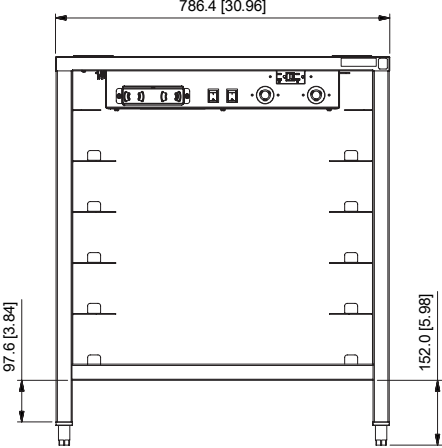
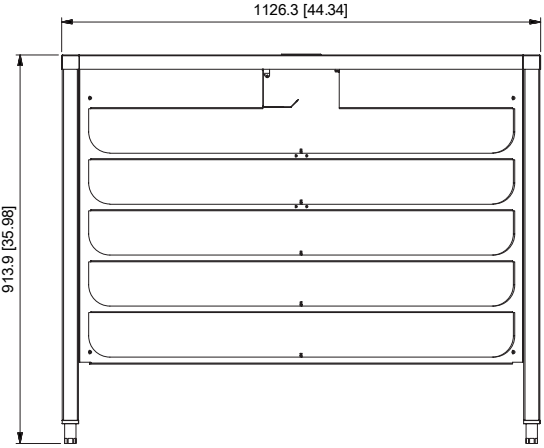
Approval _____

Franke Foodservice Solutions, Inc.
800 Aviation Parkway
Smyrna, TN 37167
Tel +1-877-379-3769
frankeamericas.com

*Make
it
Wonderful*



MODULE B ASSEMBLY



DIMENSIONS	Width	30.96"(786.4mm)
	Depth	44.34" [1126.3mm]
	Height	35.98" (913.9mm)
ELECTRICAL	Voltage	120/208-240V
	Phase	1Ph
	Hertz/Frequency	60Hz

© 2016 Franke Foodservice Solutions, Inc. Due to continuous product development, Franke reserves the right to make changes in design and specifications without prior notice. Under license by Franke Technology and Trademark Ltd., Switzerland. Printed in USA.

Make it Wonderful



FRANKE FOODSERVICE SOLUTIONS

MODULE C ASSEMBLY

MODULAR CONFIGURATION



Item #:
Project:
Quantity:

18011951 MODULE C ASSEMBLY

PRODUCT OVERVIEW

Modular assembly allows easy reconfiguration for future kitchen evolution. Depending on production needs modules can be configured as A,B,C,D or A,C,B,D or A,B,C or A,C,B or A,B,D or A,B.

STANDARD PRODUCT FEATURES

- All stainless steel construction
- Condiment well built into counter top as well as a raised double sided condiment rail
- Integrated power distribution
- Heavy duty overself accommodates any brand PHU
- Integrated and expanded flat wrap holders
- Built-in temperature controlled heated worktops
- Receptacles to power all appliances
- Accommodates optional shelf refrigerator (on dolly)
- Optional bottom and intermediate shelves (not shown)

MODULE C ASSEMBLY



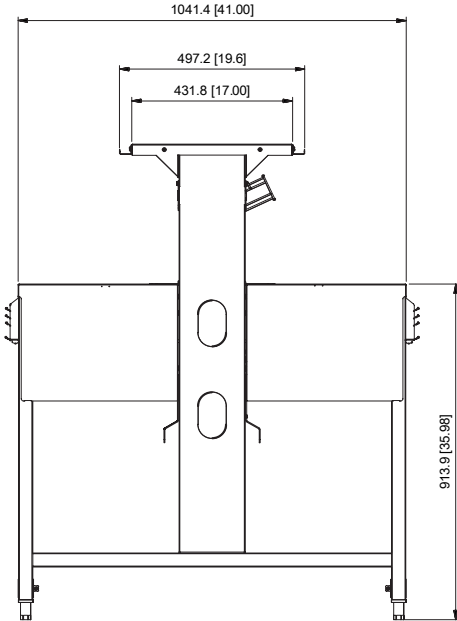
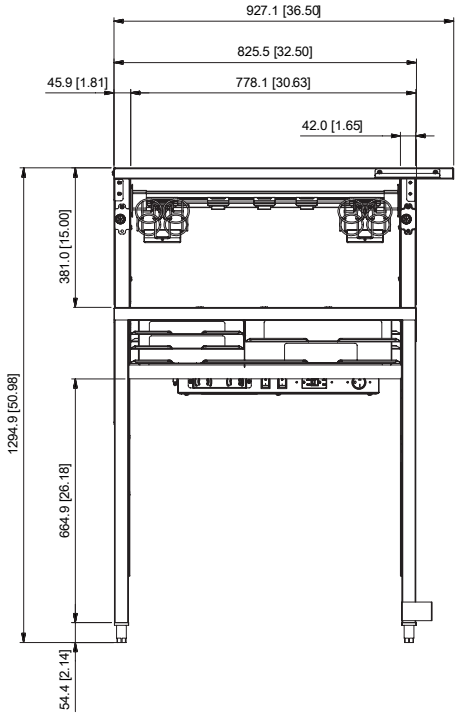
Approval _____

Franke Foodservice Solutions, Inc.
800 Aviation Parkway
Smyrna, TN 37167
Tel +1-877-379-3769
frankeamericas.com

*Make
it
Wonderful*



MODULE C ASSEMBLY



DIMENSIONS	Width	36.5"(927.1mm)
	Depth	41"(1041.4mm)
	Height	50.98"(1294.9mm)
ELECTRICAL	Voltage	120/208-240V
	Phase	1Ph
	Hertz/Frequency	60Hz

© 2016 Franke Foodservice Solutions, Inc. Due to continuous product development, Franke reserves the right to make changes in design and specifications without prior notice. Under license by Franke Technology and Trademark Ltd., Switzerland. Printed in USA.

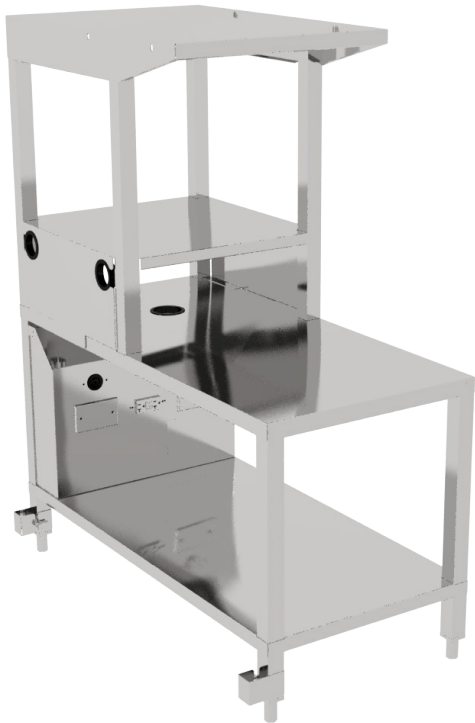
Make it Wonderful



FRANKE FOODSERVICE SOLUTIONS

MODULE D ASSEMBLY

MODULAR CONFIGURATION



Item #:
Project:
Quantity:

MODEL NUMBER

18011954 MODULE D ASSEMBLY

PRODUCT OVERVIEW

Modular assembly allows easy reconfiguration for future kitchen evolution. Depending on production needs modules can be configured as A,B,C,D or A,C,B,D or A,B,C or A,C,B or A,B,D or A,B.

STANDARD PRODUCT FEATURES

- All stainless steel construction
- Accomodates breakfast appliances
- Integrated power distribution
- Pre-wired receptacles to power all appliances (Including power for Nieco JF and Duke FBB broilers)
- Optional utility service chase for stand alone applications

MODULE D ASSEMBLY



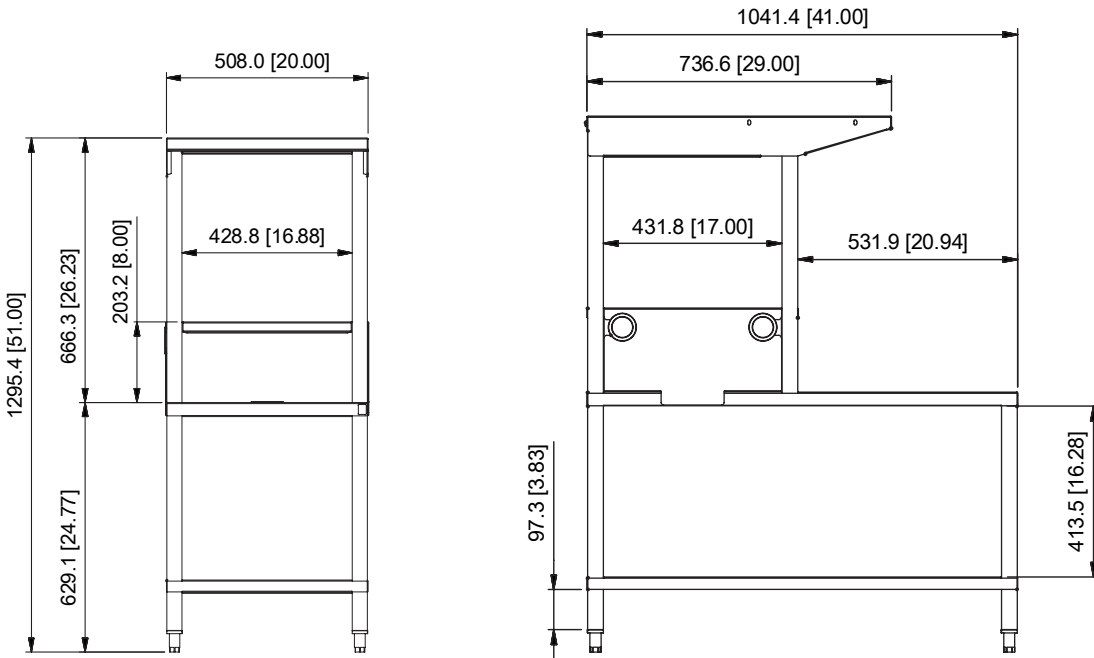
Approval _____

Franke Foodservice Solutions, Inc.
800 Aviation Parkway
Smyrna, TN 37167
Tel +1-877-379-3769
frankeamericas.com

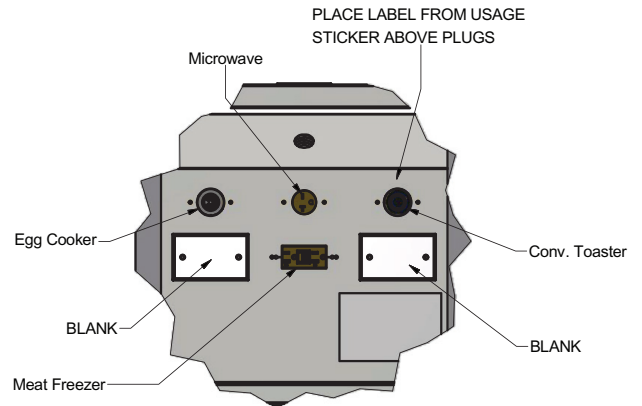
*Make
it
Wonderful*



MODULE D ASSEMBLY



DIMENSIONS			
Width	20"		508.0mm
Depth	41"		1041.4mm
Height	51"		1295.4mm
ELECTRICAL			
Voltage	120/208-240V		
Phase	1		
Hertz	60Hz		



© 2016 Franke Foodservice Solutions, Inc. Due to continuous product development, Franke reserves the right to make changes in design and specifications without prior notice. Under license by Franke Technology and Trademark Ltd., Switzerland. Printed in USA.

Make it Wonderful

