

A200



PRODUCT INFORMATION

The new Franke A200 was designed so it can be put into service and operated without reading a manual - simply plug in and you're ready to begin making delicious coffee beverages! The A200 allows you to program as many as 18 products to save to the menu. Additionally, the A200 features a generously sized bean hopper, and has the flexibility to be used with either a permanent water supply connection, or a water tank that is easily accessible from the front. The A200 makes everyday use refreshingly simple!

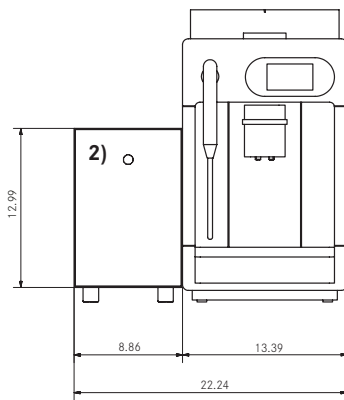
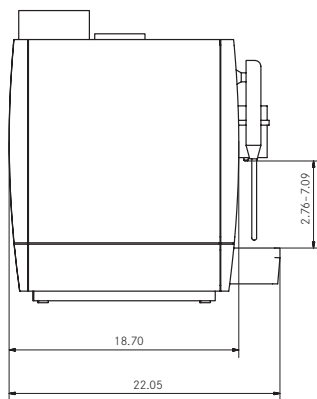
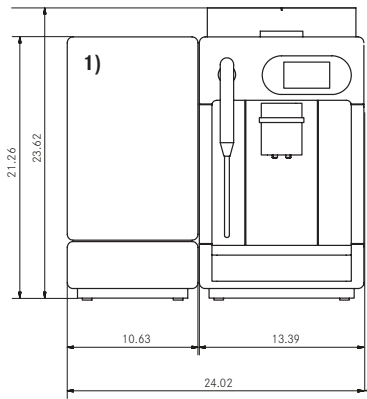
FEATURES

- Touchscreen menu for easy navigation
- Standby timer for touchscreen display, optimized power consumption
- Total control at a glance with the fill level display and maintenance instructions
- Step-by-step instructions display on the touchscreen to guide employees through the cleaning process
- Advanced milk system with FoamMaster™ - set foam consistency for specific beverages
- Generously sized bean hopper is easily accessible and simple to refill
- Two precision bean grinders with ceramic burrs
- Height adjustable beverage spout with integrated hot water
- Fully integrated cleaning and sanitizing cycle reduces hands-on time by up to 80%
- 2.4 liter drip tray with fill level monitoring
- Water tank (4 liters) is easy to access from the front or can have a permanent water supply connection



*Make
it
Wonderful*

FRANKE



PRODUCT SPECIFICATIONS

	A200 MS	A200 FM
Ristretto Espresso	•	•
Coffee Café crème	•	•
Cappuccino Latte macchiato	•	•
Chococcino	•	•
Chocolate	•	•
Hot milk	•	•
Hot milk foam	•	•
Cold milk		•
Cold milk foam		•
Hot water	•	•
Steam		

MACHINE MODELS

MODEL	ELECTRICAL CONNECTION	POWER
A200 MS	110-120 V 1LN PE 60 Hz 15 A	2,4-2,75 kW
A200 FM	110-120 V 1LN PE 60 Hz 15 A	2,4-2,75 kW

(other connection types upon request)

ACCESSORIES

A200 MS	ELECTRICAL CONNECTION	POWER
2) Refrigeration unit KE200 (4 l)	110-120 V 1LN PE 60 Hz 15 A	82 W

A200 FM	ELECTRICAL CONNECTION	POWER
1) FoamMaster™ module (5l)	110-120 V 1 LN PE 60 Hz 15 A	1.95-2.3 kW

WATER CONNECTION (OPTIONAL)

Fixed water connection	Metal hose with union nut G 3/8", l = 1,5m (59")
Water supply line	If possible on installation side: untreated water (not from household decalcification system)
Water pressure	80 to 800 kPa (0.8 to 8.0 bar)
Water hardness	max. 70 mg CaO per liter of water (7 dH, 13 °fH)
Chloride content	max. 0,1 mg/l
Ideal pH value	7

WATER DRAIN (OPTIONAL)

Drain hose	Dia. = 16 mm, L = 2000 mm
------------	---------------------------

©2015 Franke Foodservice Systems, Inc. - This media is the confidential and proprietary property of Franke Foodservice Systems, Inc. and shall not be reproduced in any form of media without the expressed written permission of a Franke representative. Due to continuous product development, Franke Foodservice Systems, Inc., reserves the right to make changes in design and specifications without prior notice. Under license Franke Technology and Trademark Ltd., Switzerland. Printed in USA.

Franke Coffee Systems North America
 800 Aviation Parkway
 Smyrna, TN 37167
 Tel +1 877 379 3769
 coffee.franke.com

