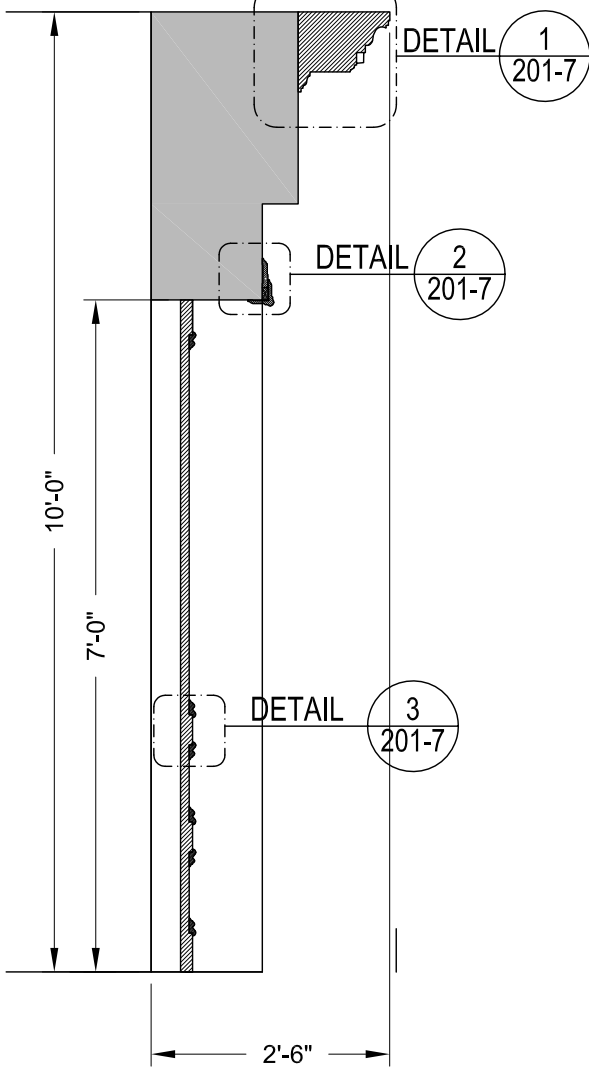
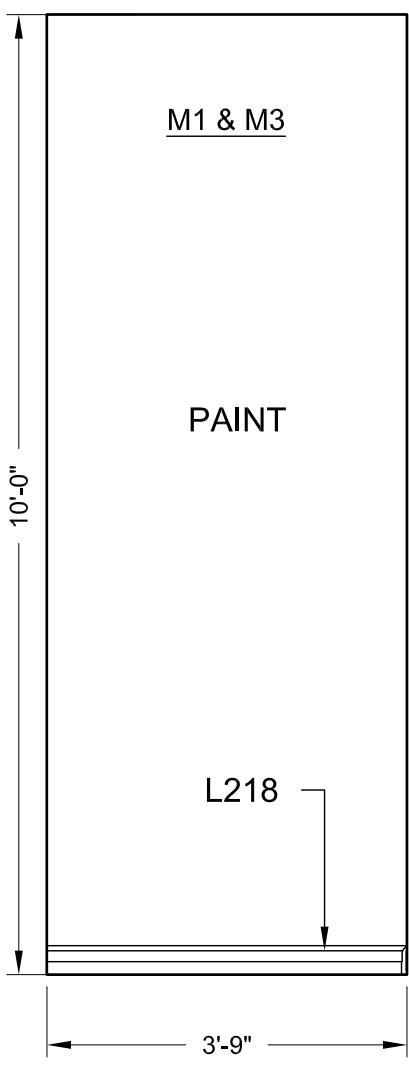


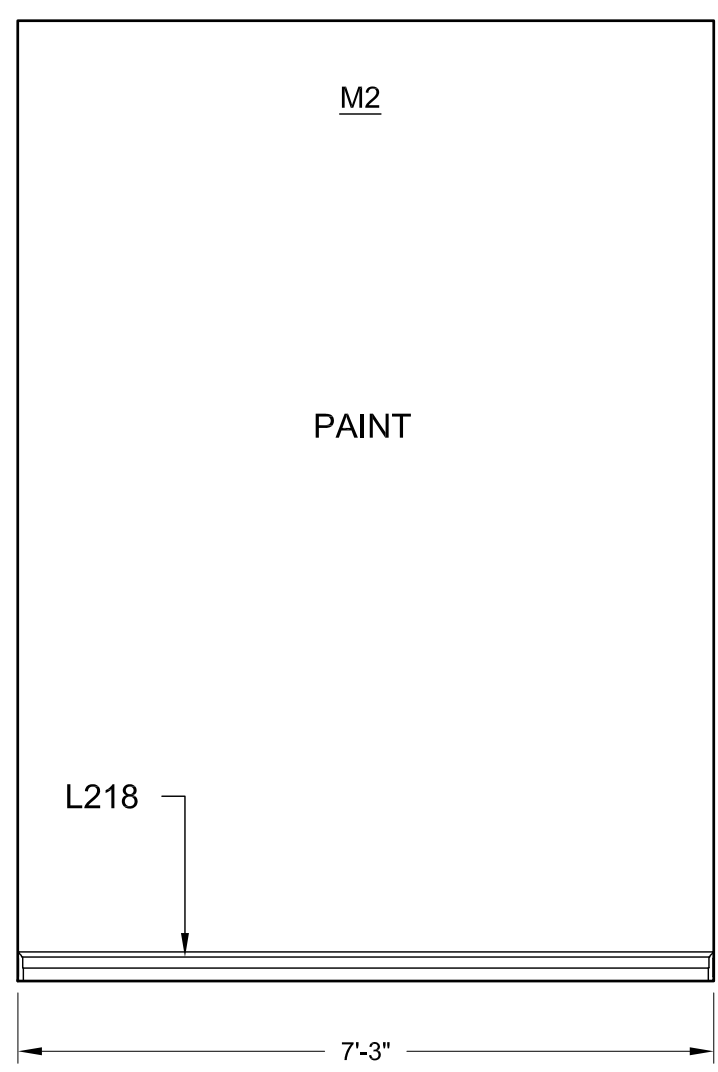
**A** WALL 11: ELEVATION  
SCALE: 1/2"=1'-0"



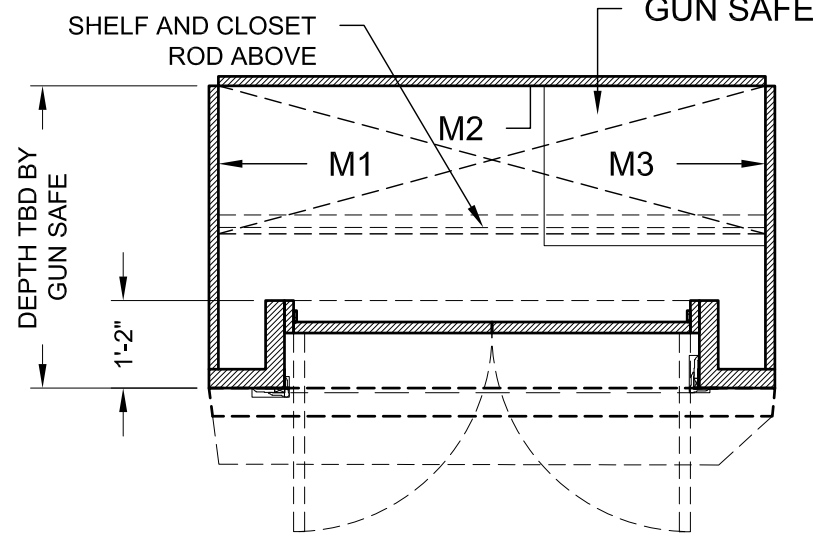
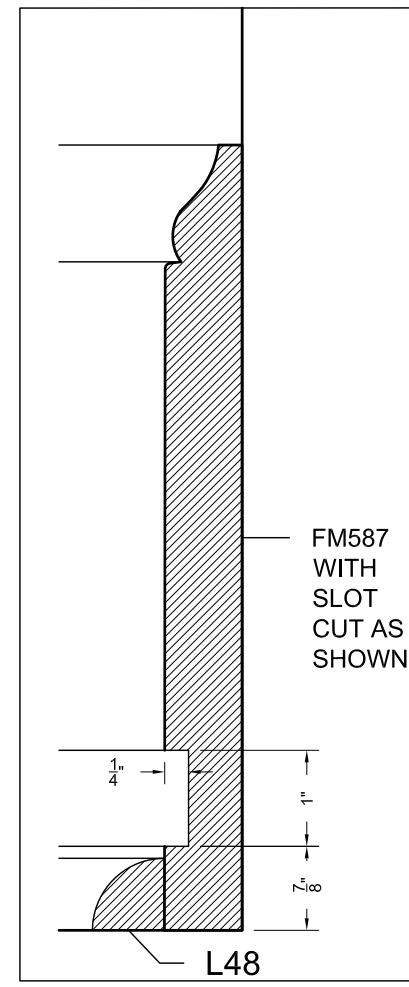
**S1** WALL 11: SECTION  
SCALE: 1/2"=1'-0"



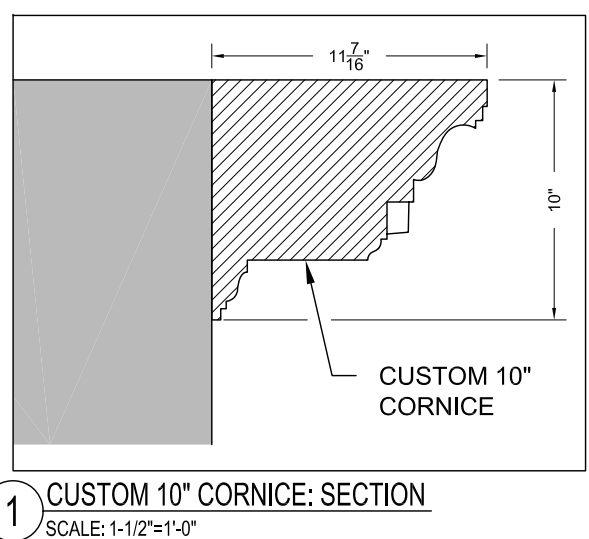
**B** WALLS M1, M2 & M3: ELEVATION  
SCALE: 1/2"=1'-0"



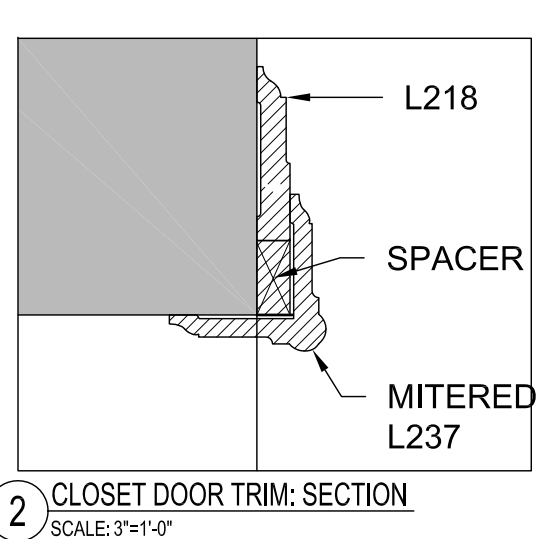
**5** DETAIL 5: BASEBOARD SECTION  
SCALE: 6"=1'-0"



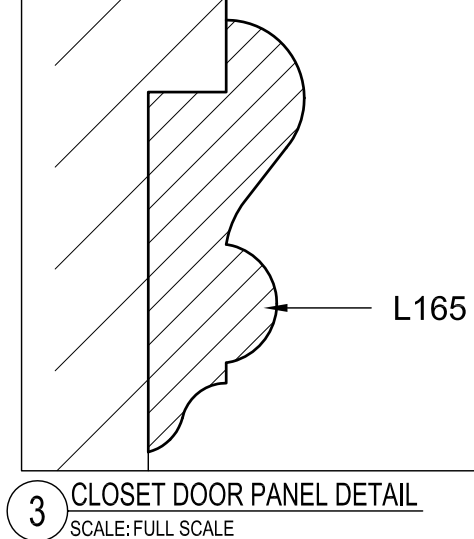
**D** WALLS 11, M1, M2, & M3: PLAN  
SCALE: 1/2"=1'-0"



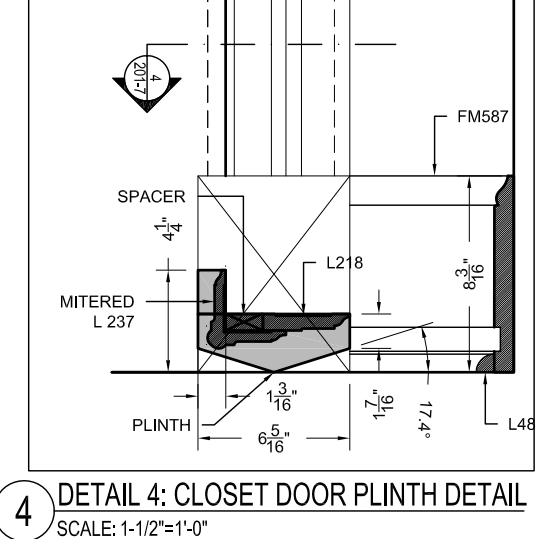
**1** CUSTOM 10" CORNICE: SECTION  
SCALE: 1-1/2"=1'-0"



**2** CLOSET DOOR TRIM: SECTION  
SCALE: 3"=1'-0"



**3** CLOSET DOOR PANEL DETAIL  
SCALE: FULL SCALE



**4** DETAIL 4: CLOSET DOOR PLINTH DETAIL  
SCALE: 1-1/2"=1'-0"

**REVISED 10/31/2013**

**JOHN WICK** PPNY, INC.  
2 Rector St., 26th Fl.  
NYC 10006

Production Designer: Dan Leigh      Art Director: C.J. Simpson

Title:	THE CONTINENTAL-JOHN'S ROOM <b>ELEVATION WALLS 11, M1, M2, &amp; M3</b>		
Location:	YORK STAGES		
Prep:	Shoot: NOV. 22, 23, & 24	Wrap:	

Drawn by:	Scale:	Date:	Set #:	Sheet:
D. MOYES	1/2"=1'-0"	10/29/2013	201	7