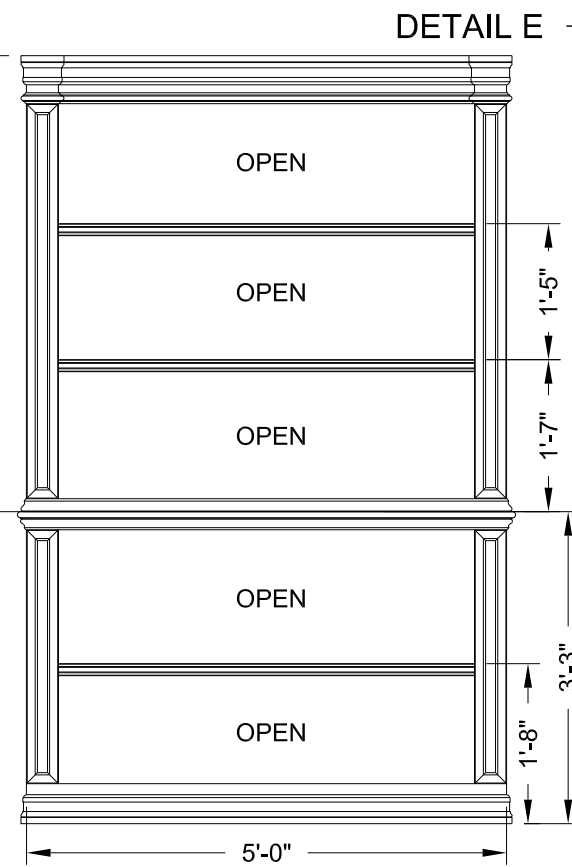
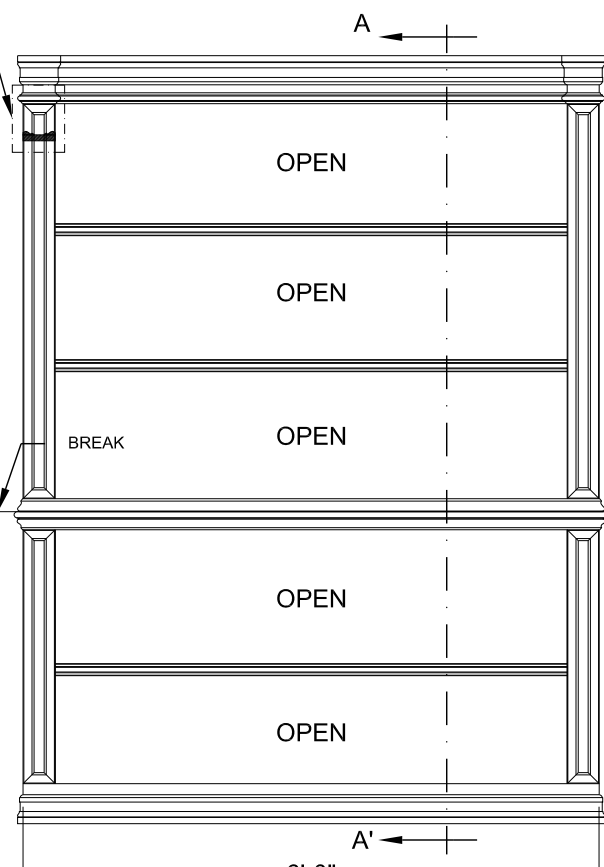


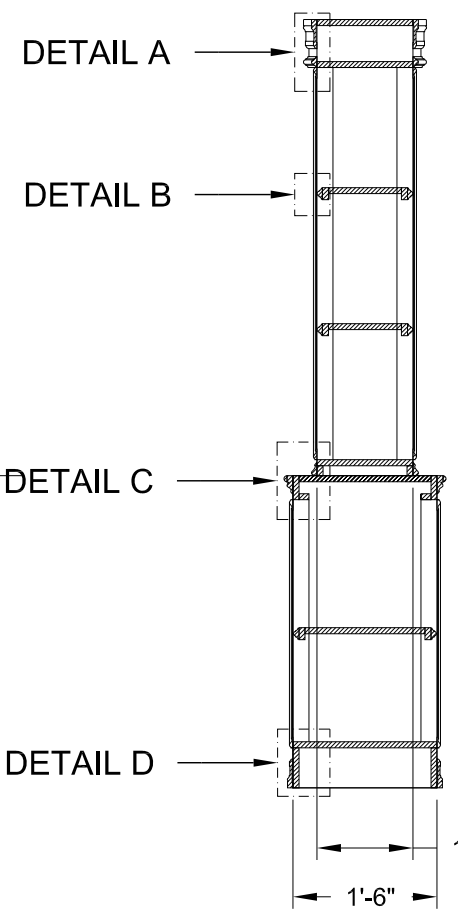
4' 2-SIDED BOOKCASE
BUILD 4 NEW



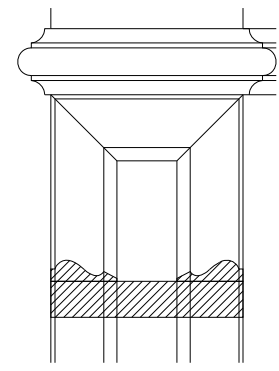
5' 2-SIDED BOOKCASE
1 IN STOCK
BUILD 1 ADDITIONAL UNIT



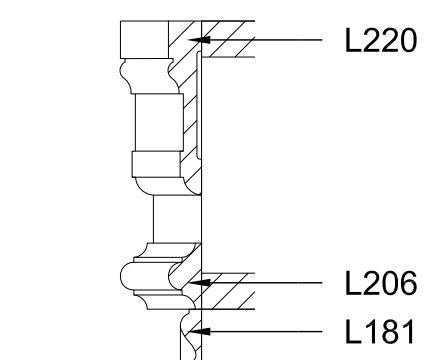
6' 2-SIDED BOOKCASE
4 IN STOCK
BUILD 2 ADDITIONAL UNITS



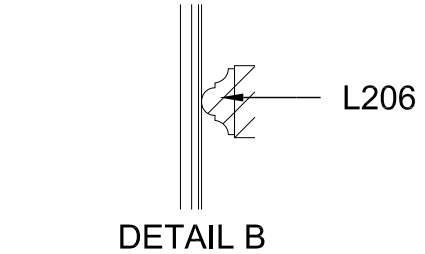
SECTION A-A'



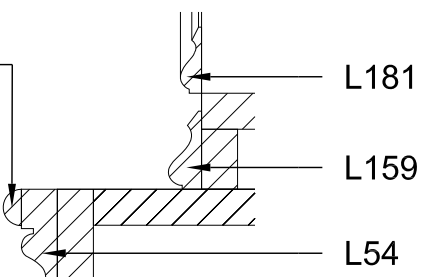
DETAIL E



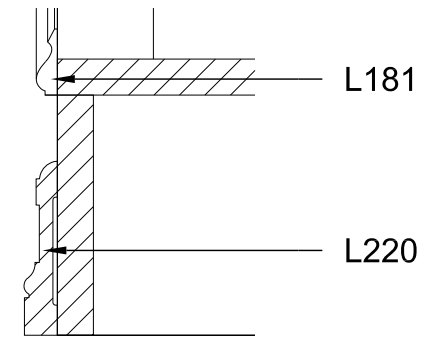
DETAIL A



DETAIL B



DETAIL C



DETAIL D

BOOKCASE TRIM DETAILS A-E
3"=1'-0"

REV.	NOTES:

DATE: 23 JUNE 2011
 DRAWN BY: DWM
 TITLE: EXISTING 2-SIDED LIBRARY BOOKCASES
 STAGE "H" 1/2"=1'-0"

BONANZA PRODUCTIONS, INC.
PERSON OF INTEREST
 PRODUCTION DESIGNER: DAN LEIGH
 ART DIRECTOR: CJ SIMPSON