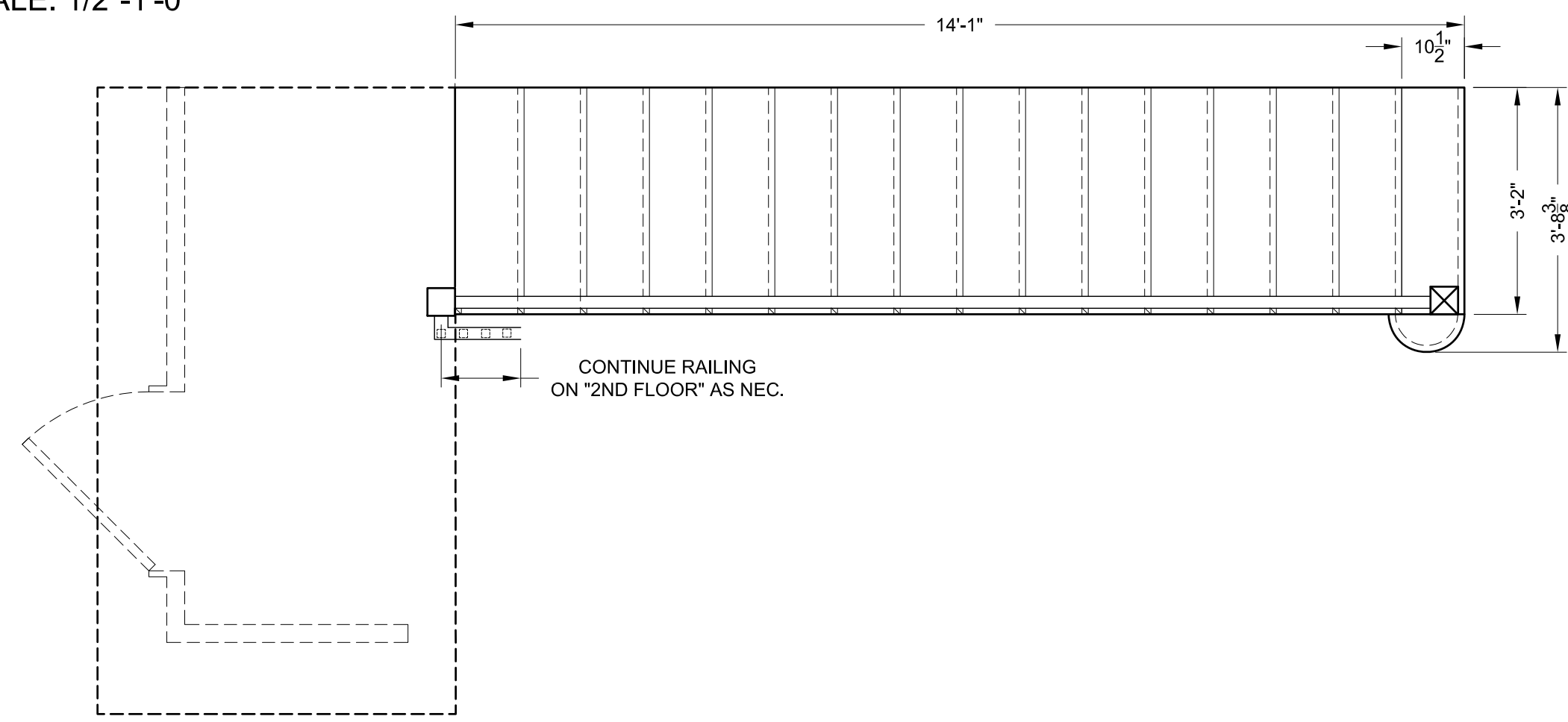
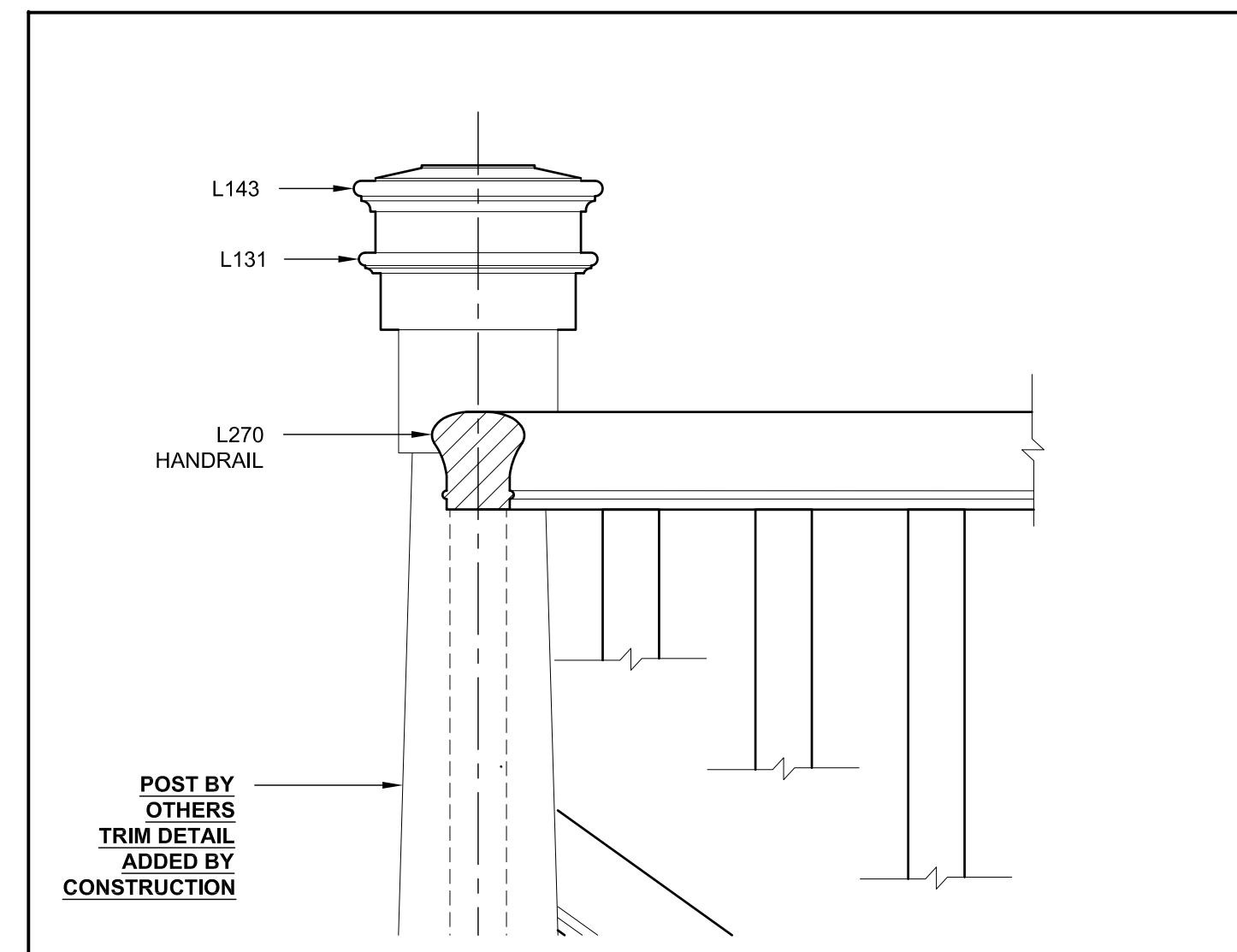


1 STAIRCASE ELEVATION  
SCALE: 1/2"-1'-0"

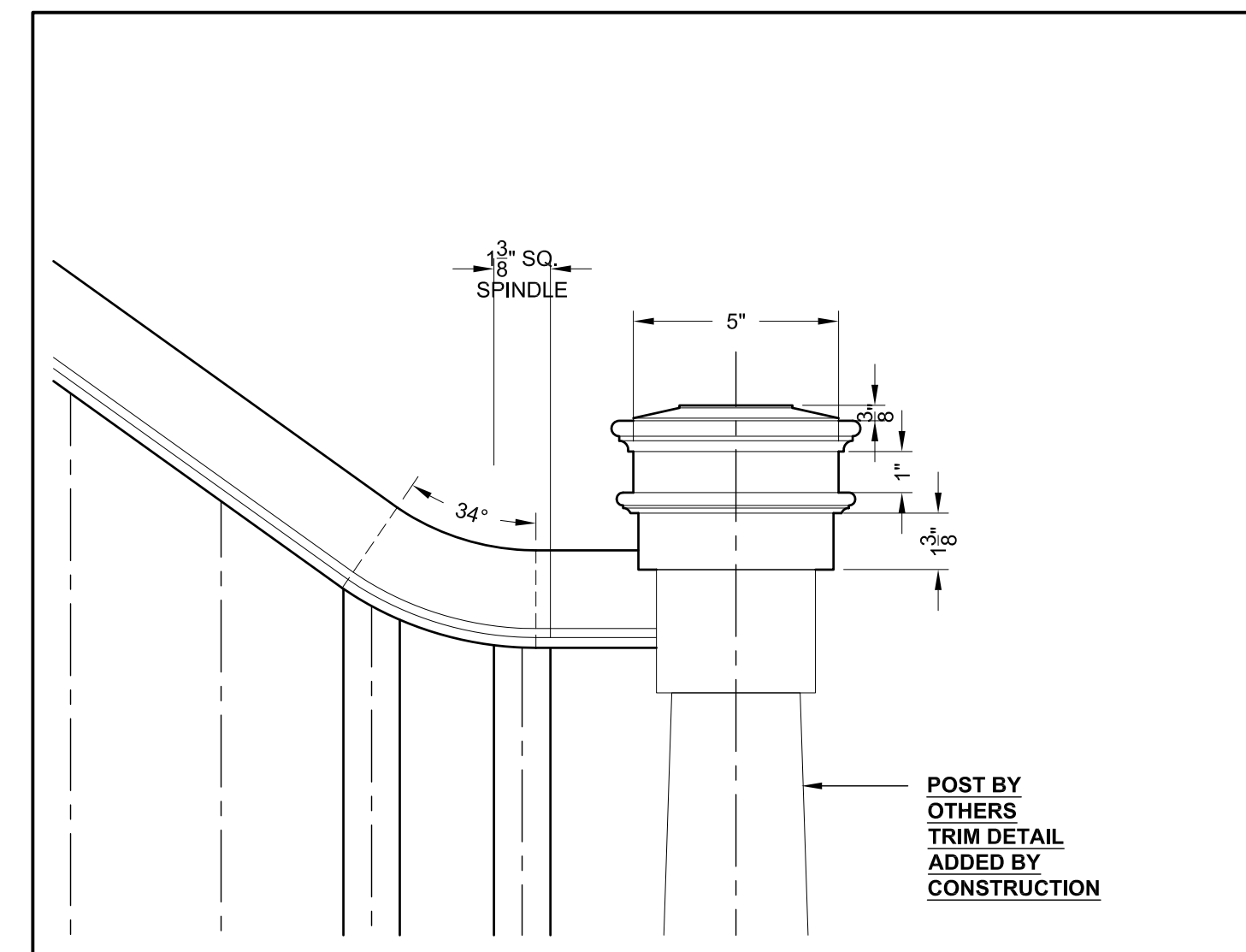
2 WALLS 6 & 20 ELEVATION  
SCALE: 1/2"-1'-0"



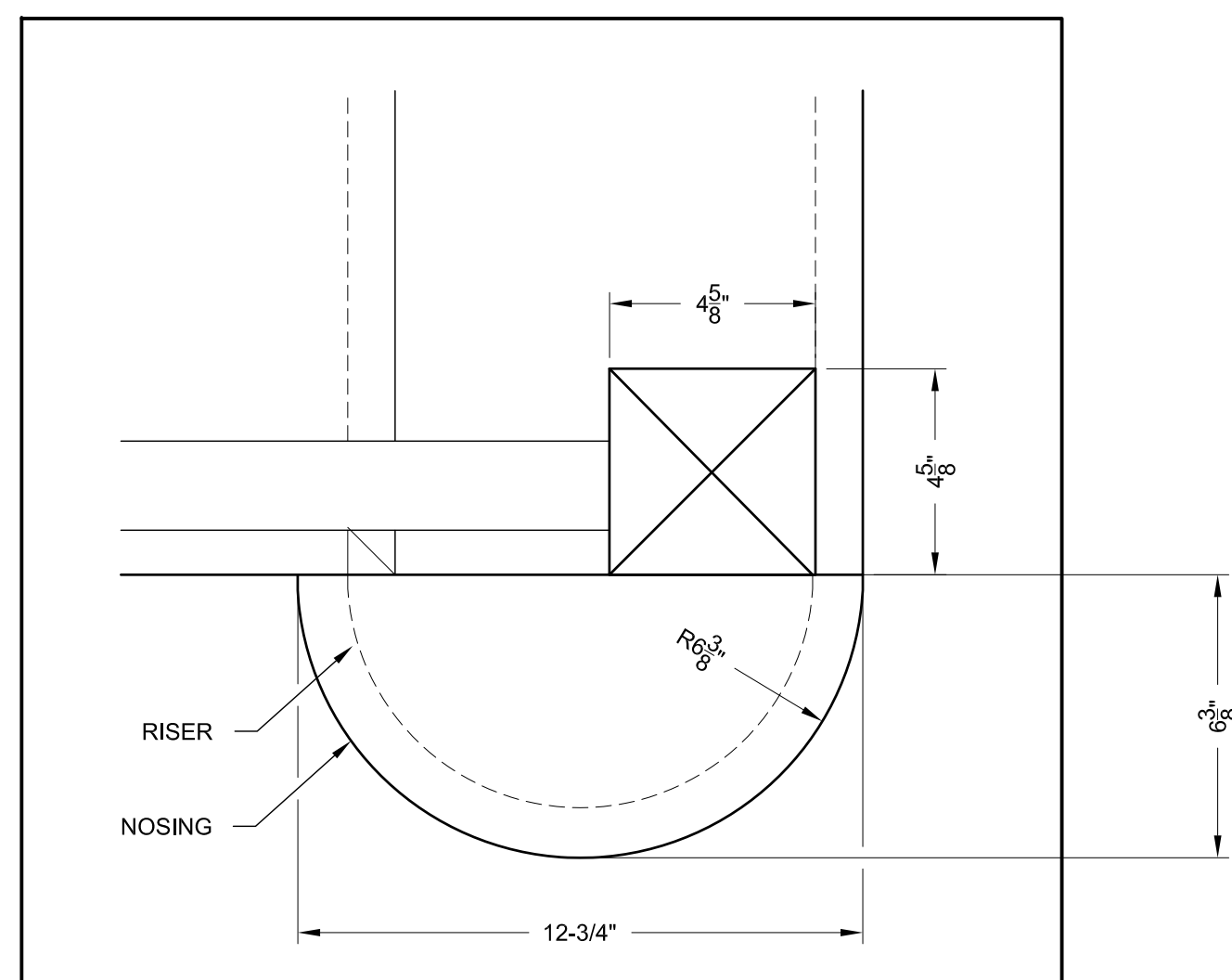
3 STAIRCASE PLAN  
SCALE: 1/2"-1'-0"



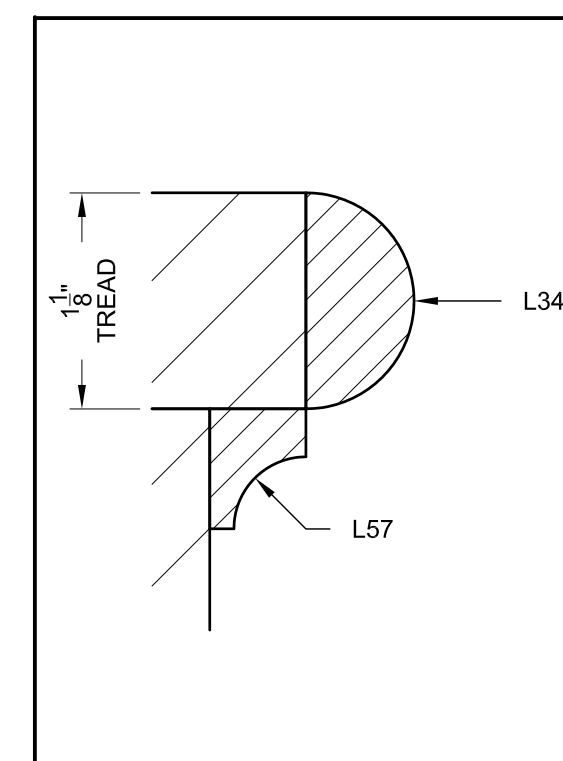
4 UPPER NEWEL POST & RAILING-DETAIL  
SCALE: 3"-1'-0"



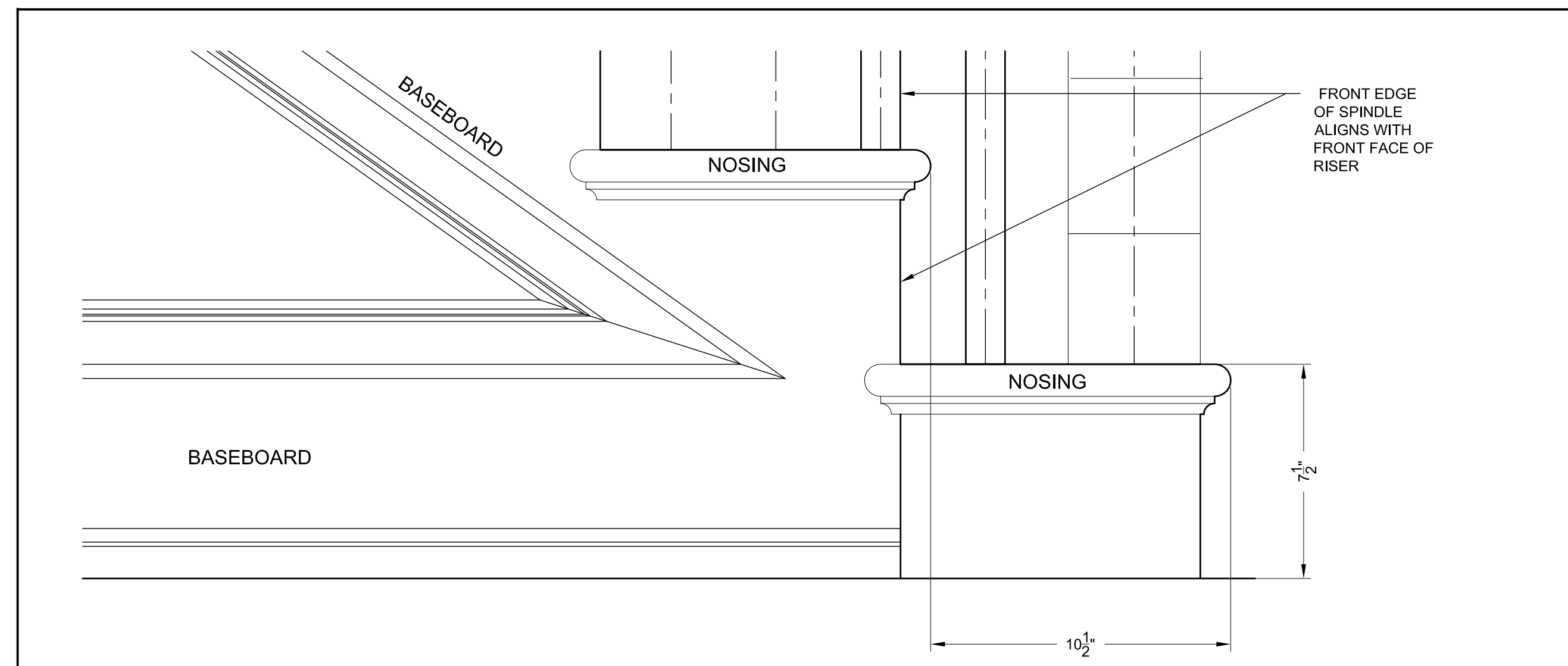
5 LOWER NEWEL POST & RAILING-DETAIL  
SCALE: 3"-1'-0"



6 BOTTOM TREAD-PLAN DETAIL  
SCALE: 1/2"-1'-0"



7 NOSING DETAIL  
FULL SCALE



8 BASEBOARD & NOSING ELEVATION- DETAIL  
SCALE: 3"-1'-0"

**RELEASED**  
**7/26/13**

**"ALPHA HOUSE"**  
Picrow Inc.  
Kaufman-Astoria Studios  
34-37 36th St.  
Astoria, NY 11106  
Voice: (718) 296-6000 Fax: (718) 296-6001

☆ TOWNHOUSE ☆

**TOWNHOUSE STAIRS**

director: Adam Bernstein  
Production designer: Judy Rhee  
Produced by: Antoine Doustly  
Production Supervisor: Christie Colliopoulos

Stage: Stage "K" Kaufman-Astoria Studios  
34-37 36th St. Astoria, NY

**TH-9** 28 JULY 2013  
AS NOTED  
Art Dir: Charlie Kulziszki 917-647-3120 Drawn By: DWM  
kulziszki@yahoo.com