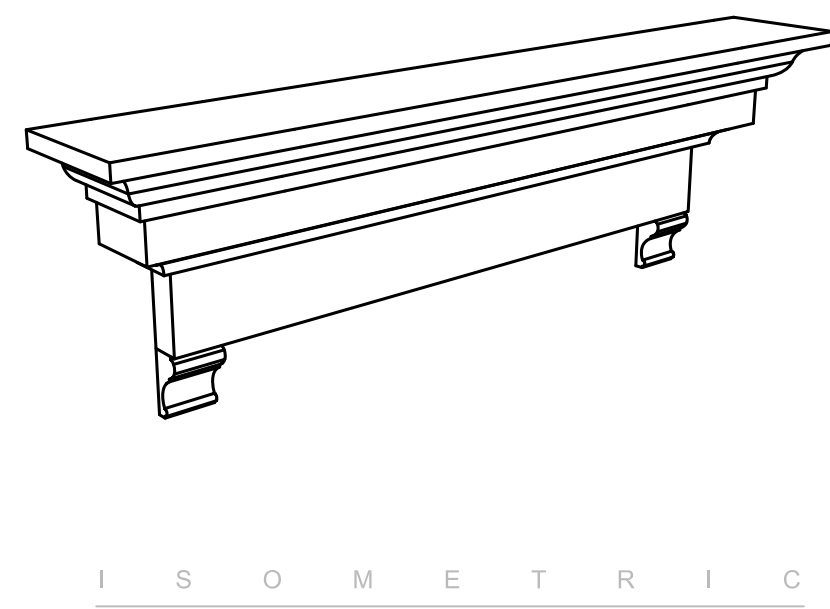
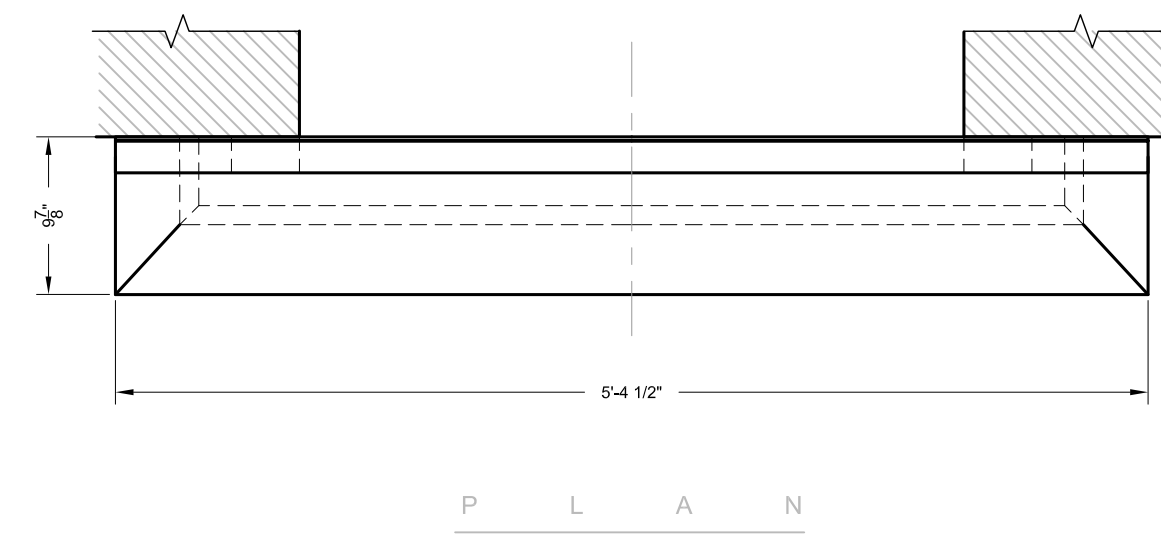


DETAIL 1 02

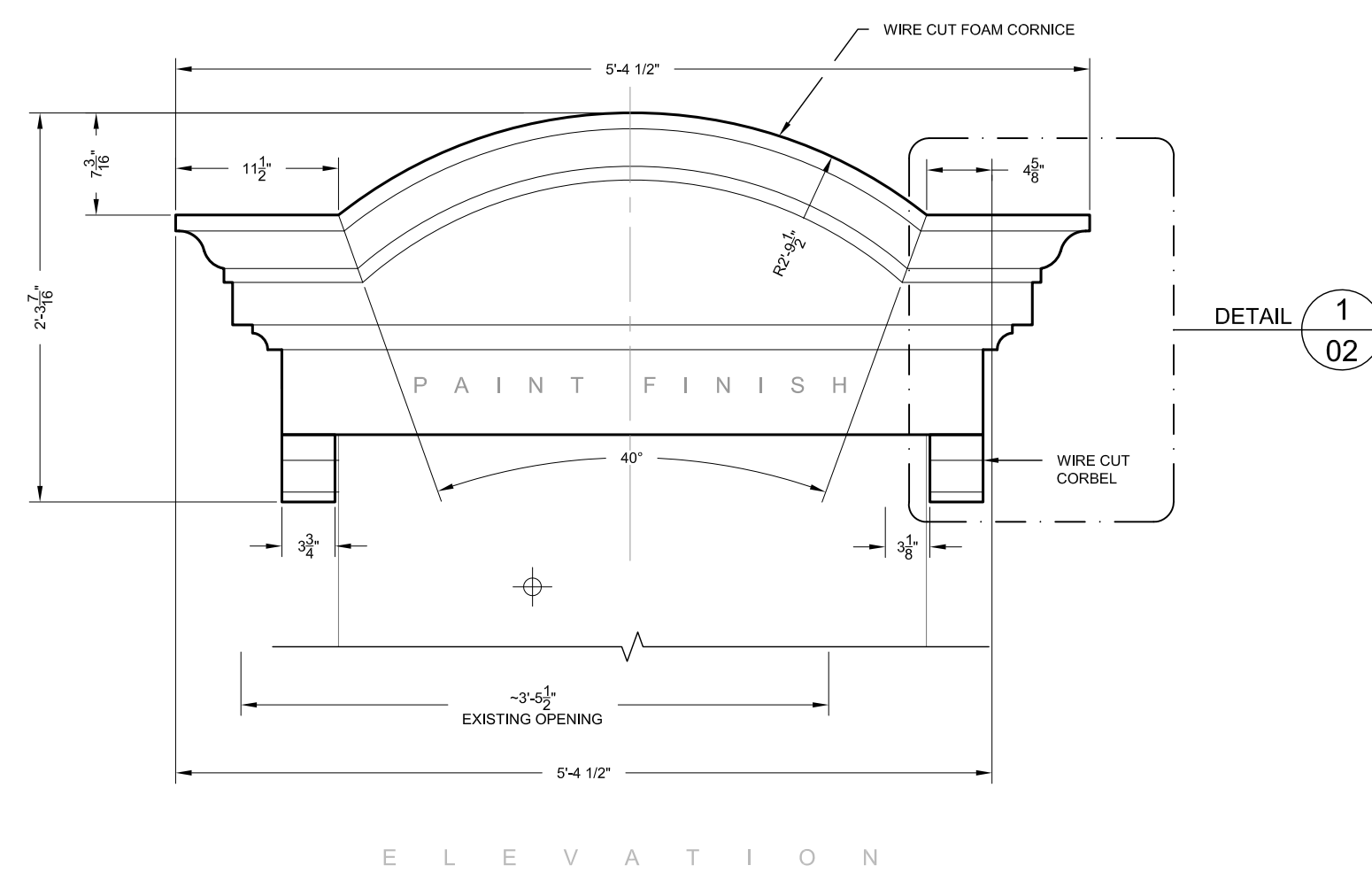
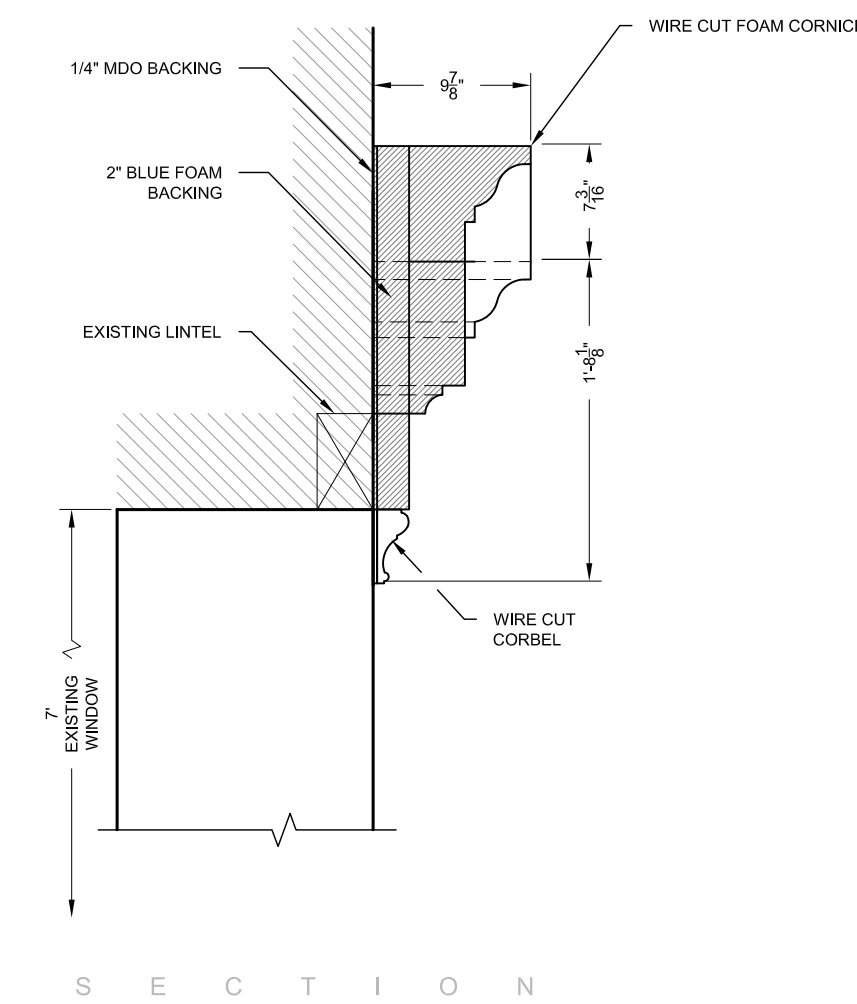


ISOMETRIC

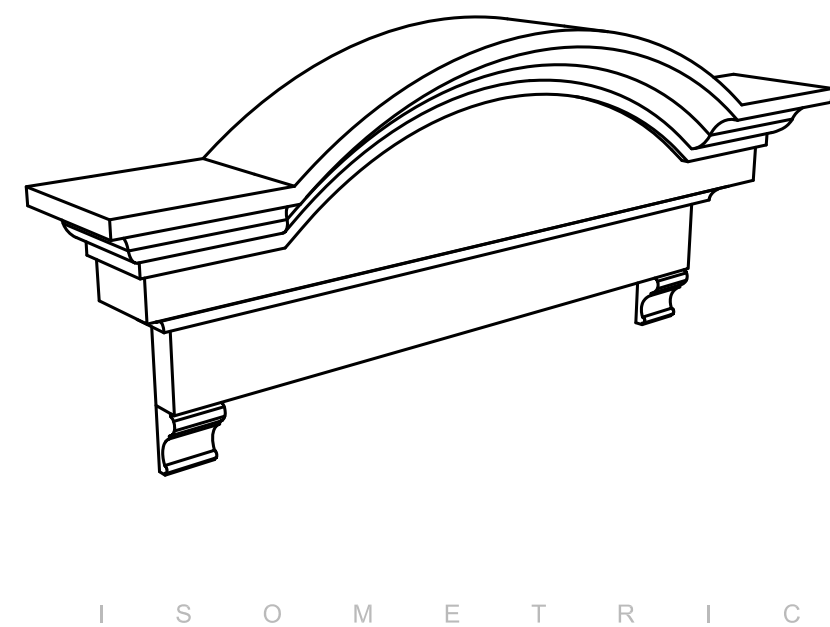


PLAN

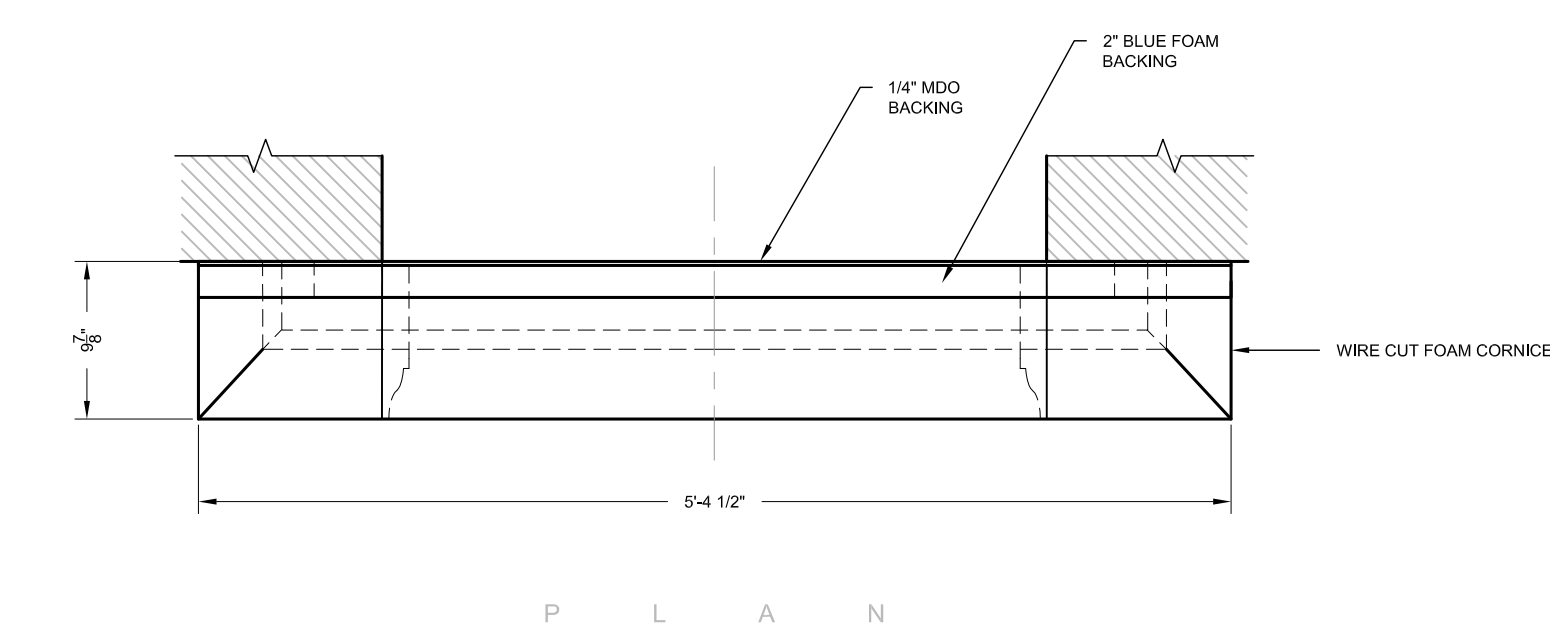
1 3RD & 4TH FLOOR CORNICE APPLIQUES - QTY. 6  
SCALE: 1"= 1'-0"



DETAIL 1 02

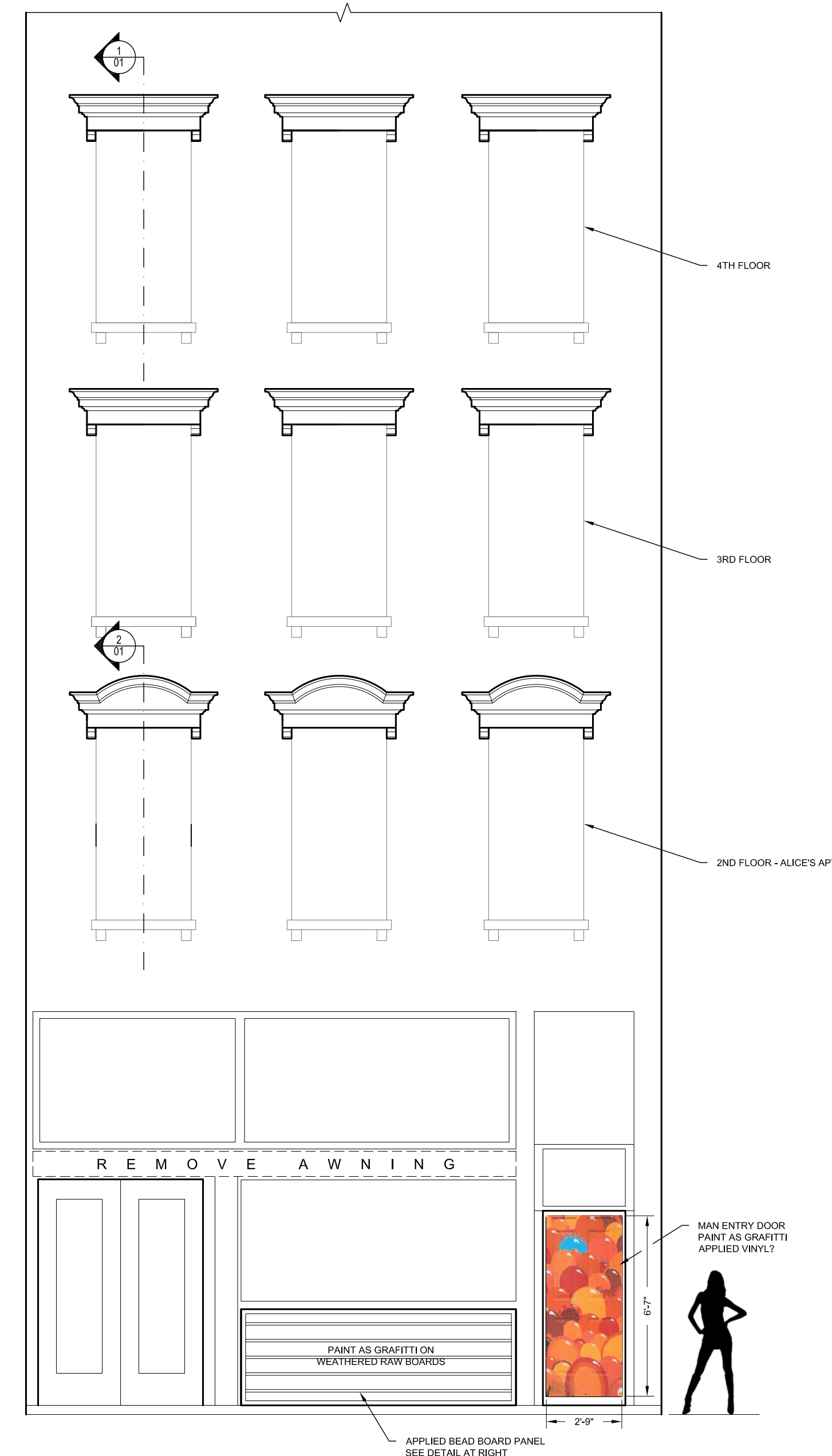


ISOMETRIC

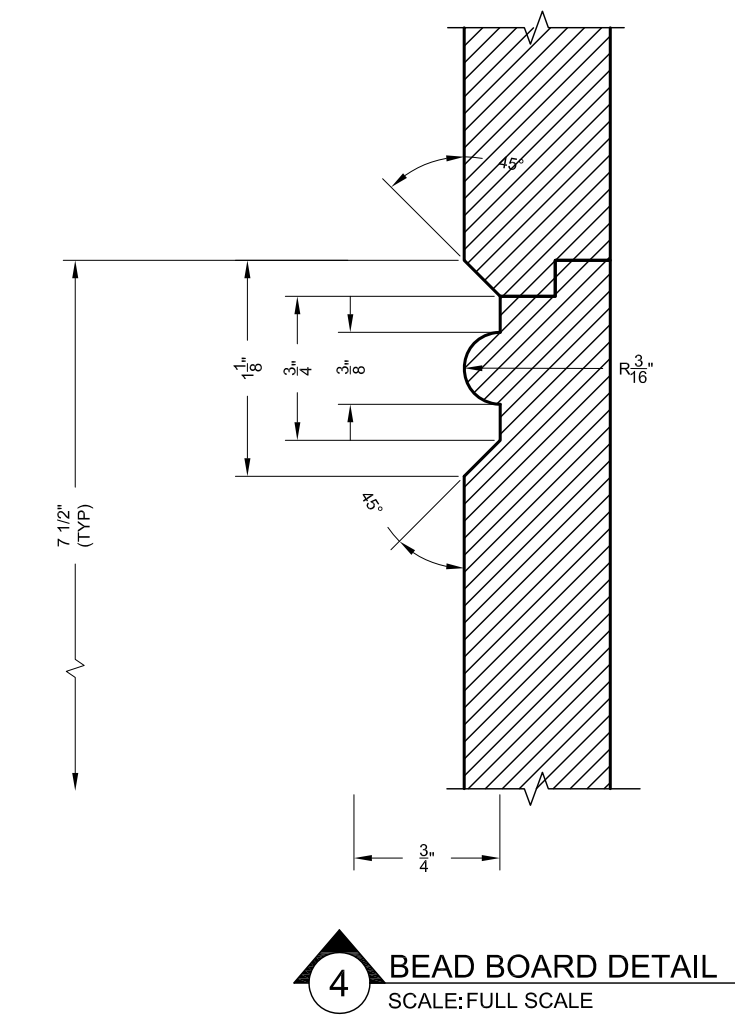


PLAN

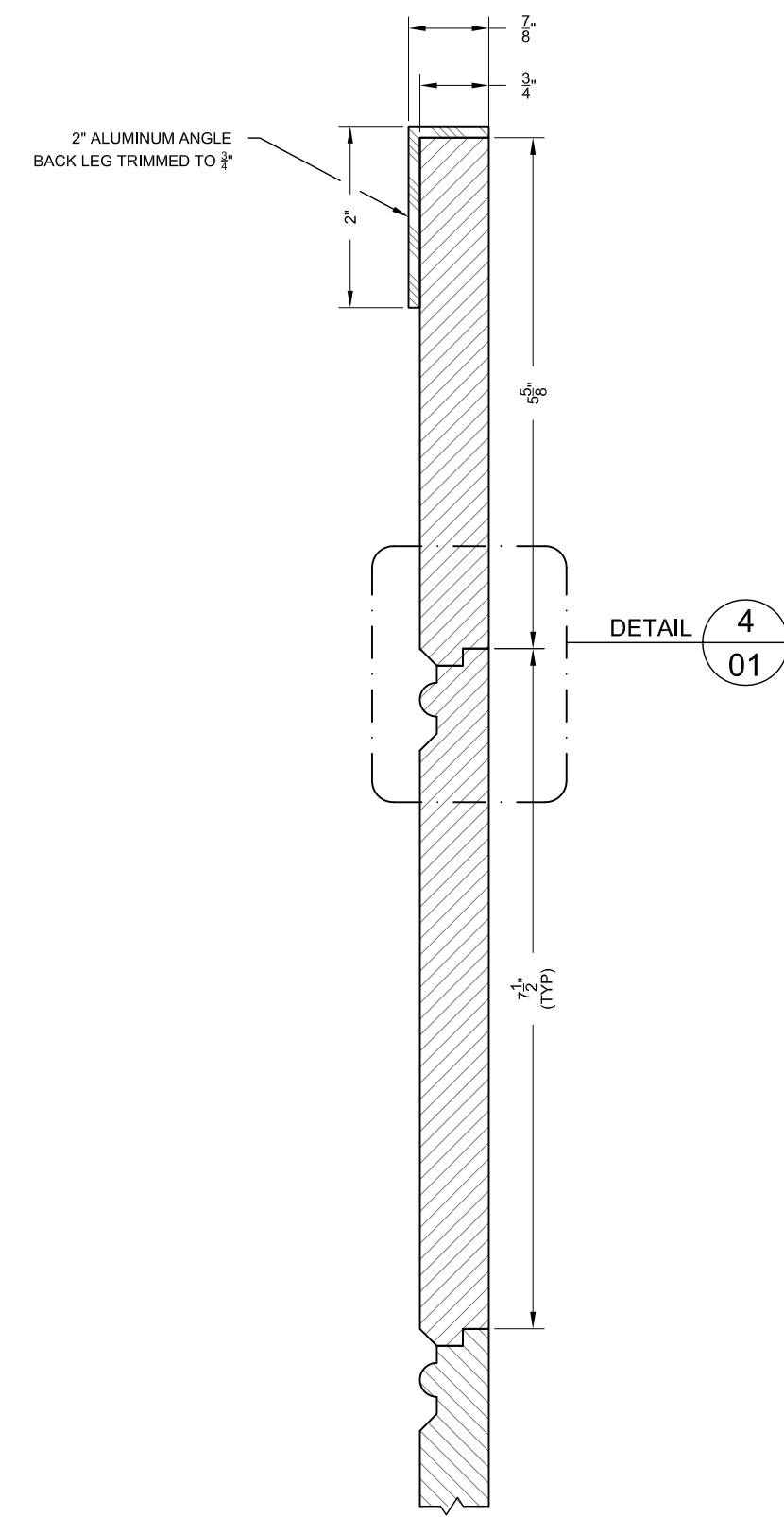
2 2ND FLOOR CORNICE APPLIQUES - QTY. 3  
SCALE: 1"= 1'-0"



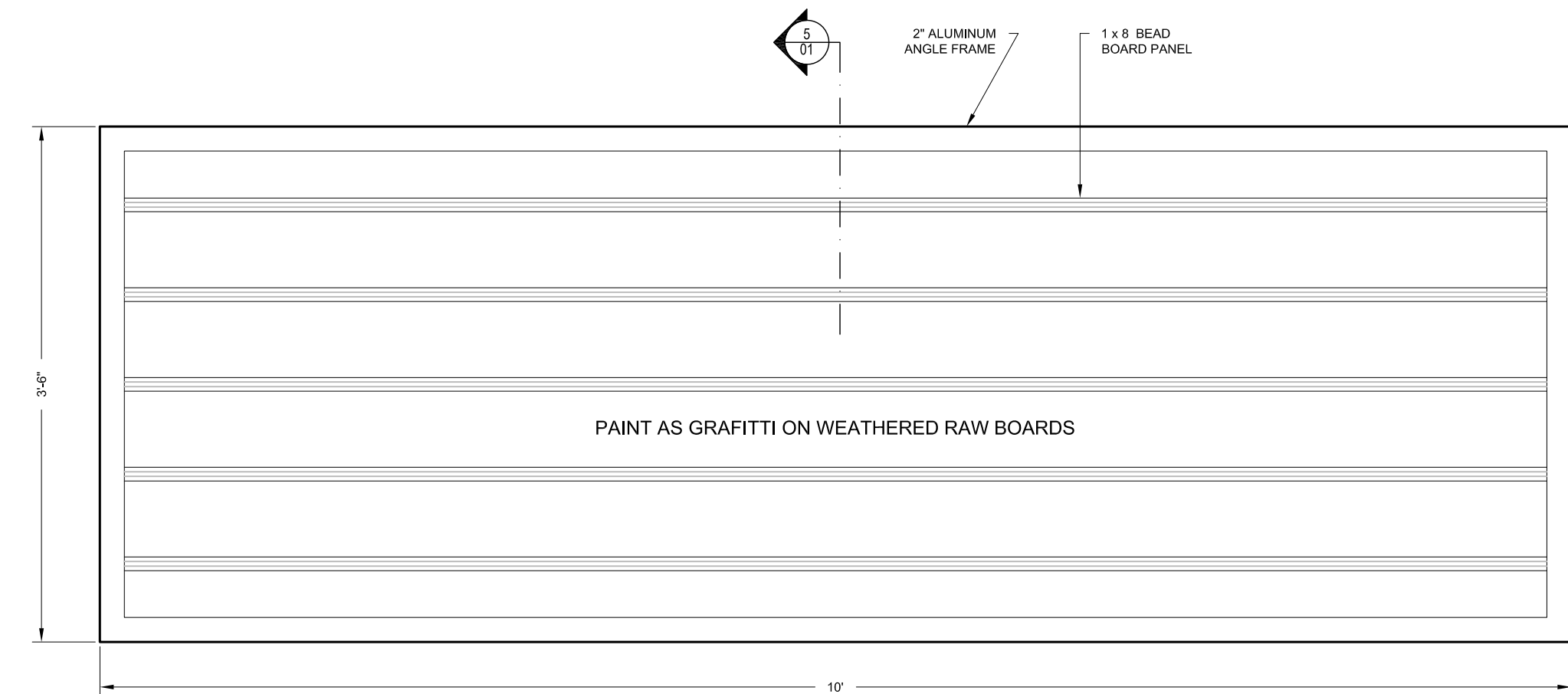
3 BUILDING FACADE ELEVATION  
SCALE: 1/4"= 1'-0"



4 BEAD BOARD DETAIL  
SCALE: FULL SCALE



5 BEAD BOARD WALL SECTION  
SCALE: 6"= 1'-0"



6 BEAD BOARD WALL & FRAME  
SCALE: 1"= 1'-0"

**RELEASED**

<b>HOW TO BE SINGLE</b>	NEW LINE PRODUCTIONS, INC. SET: ALICE'S APT. EXTERIOR	SET NO. 177 SHEET NO. 01
	DRAWING: BLDG. FACADE DETAILS	
	LOCATION: 149 BROADWAY-BROOKLYN	
	DATE: APRIL 27, 2015	
	PREPS:	
EXEC. PROD. MARCUS VICICI DIR. CHRISTIAN DITTER PROD. DES. STEVE SAKLAD	SHOOTS: DRAWN BY: DWM	SCALE: AS NOTED