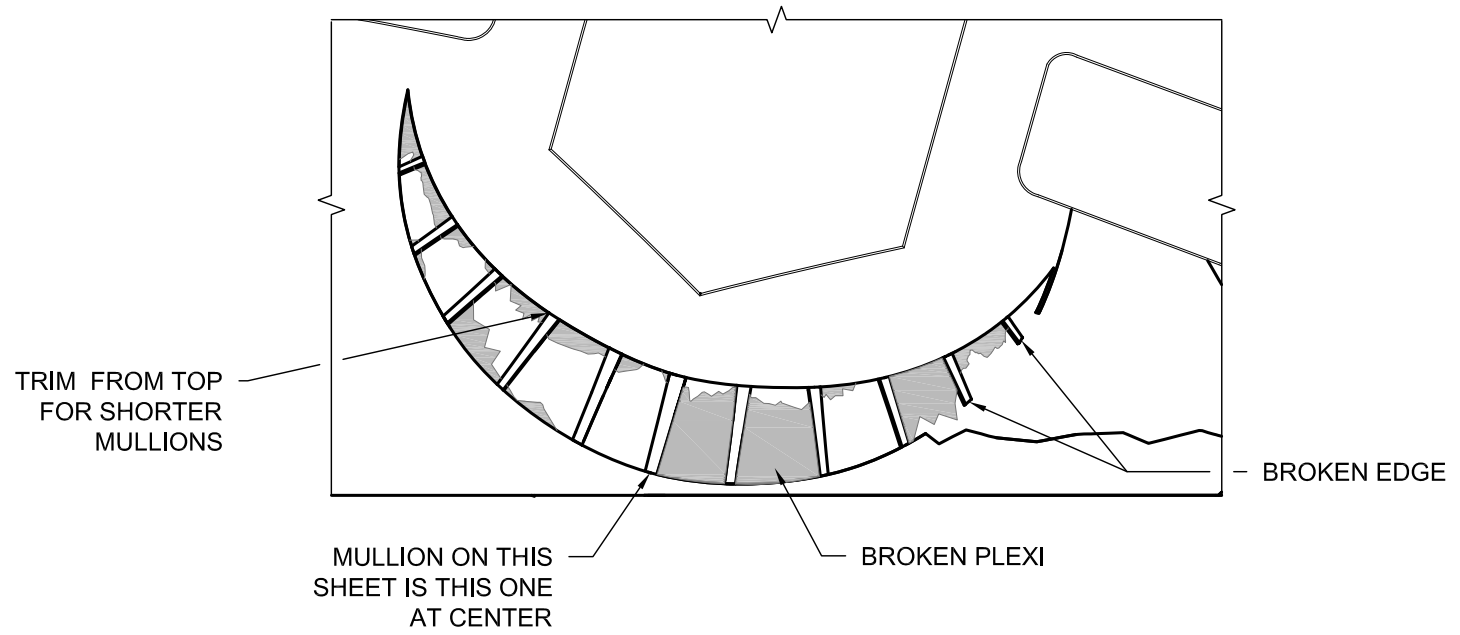
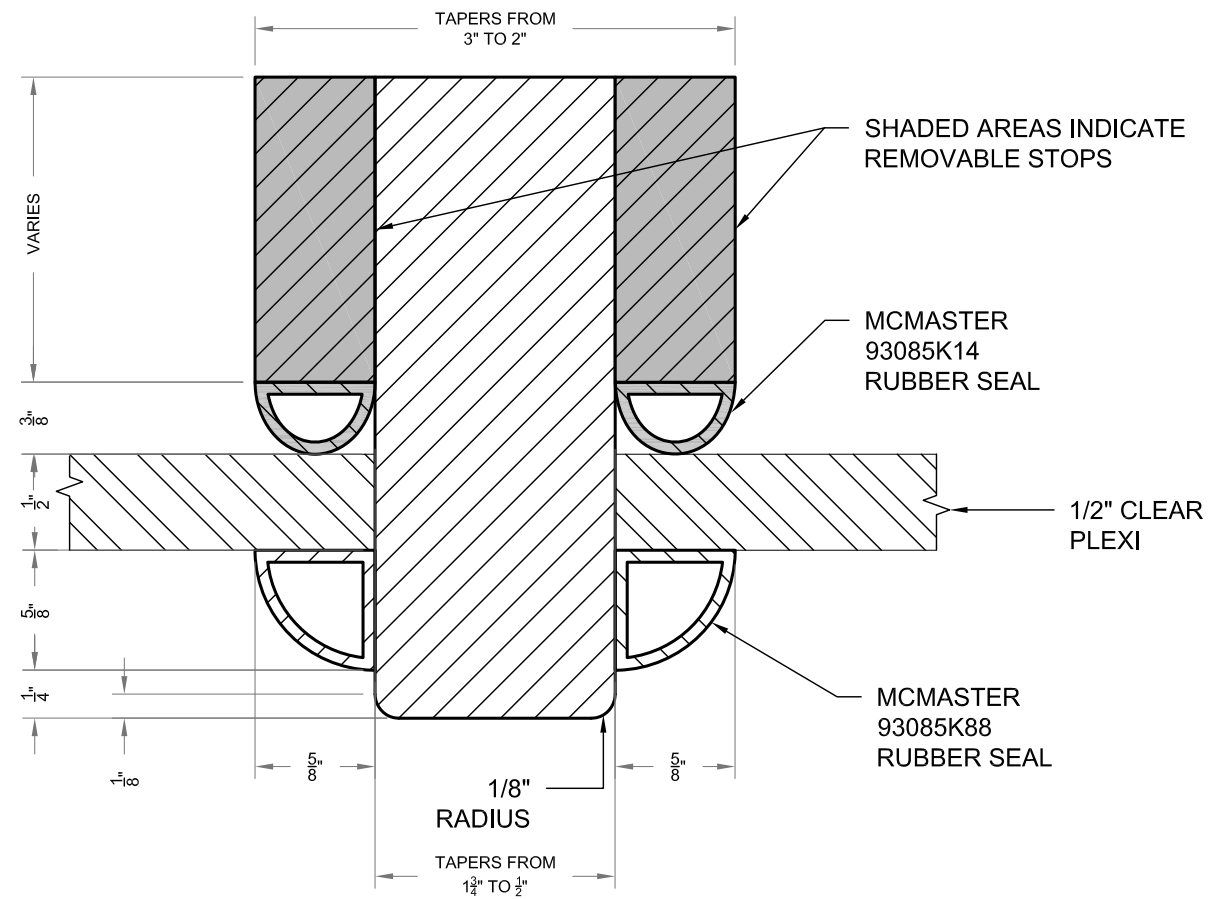


1 WINDOW MULLION DETAIL - (QTY. 11)
SCALE: 3" = 1'-0"



2 WINDOW MULLIONS - INSTALLED
SCALE: 1/4" = 1'-0"



3 WINDOW MULLION SECTION
SCALE: FULL SCALE

FOR CONSTRUCTION 04-28-2016

ISSUED TO:		AMAZON STUDIOS		THE TICK		SONY PICTURES		PRODUCTION DESIGNER: SARAH KNOWLES	
ART		DIRECTOR: WALLY PFISTER		MESQUITE PRODUCTIONS		REVISION:		ART DIRECTOR: AUDRA AVERY	
CONSTRUCTION		FREEDOM 5		13-03		DRAWN BY: DWM		ISSUE DATE:	
SCENICS		SHIP-FLASHBACK		URBAN RUSTIC CAFE WILLIAMSBURG		SCALE: AS NOTED		PAGE 3	
FABRICATION		LIGHTING		GRIPS		CAMERA		SFX	
RIGGERS		VFX		LOCATIONS		STAND-BYS			
PROPS									
SET DEC									
VEHICLES									
GREENS									
GRAPHICS									