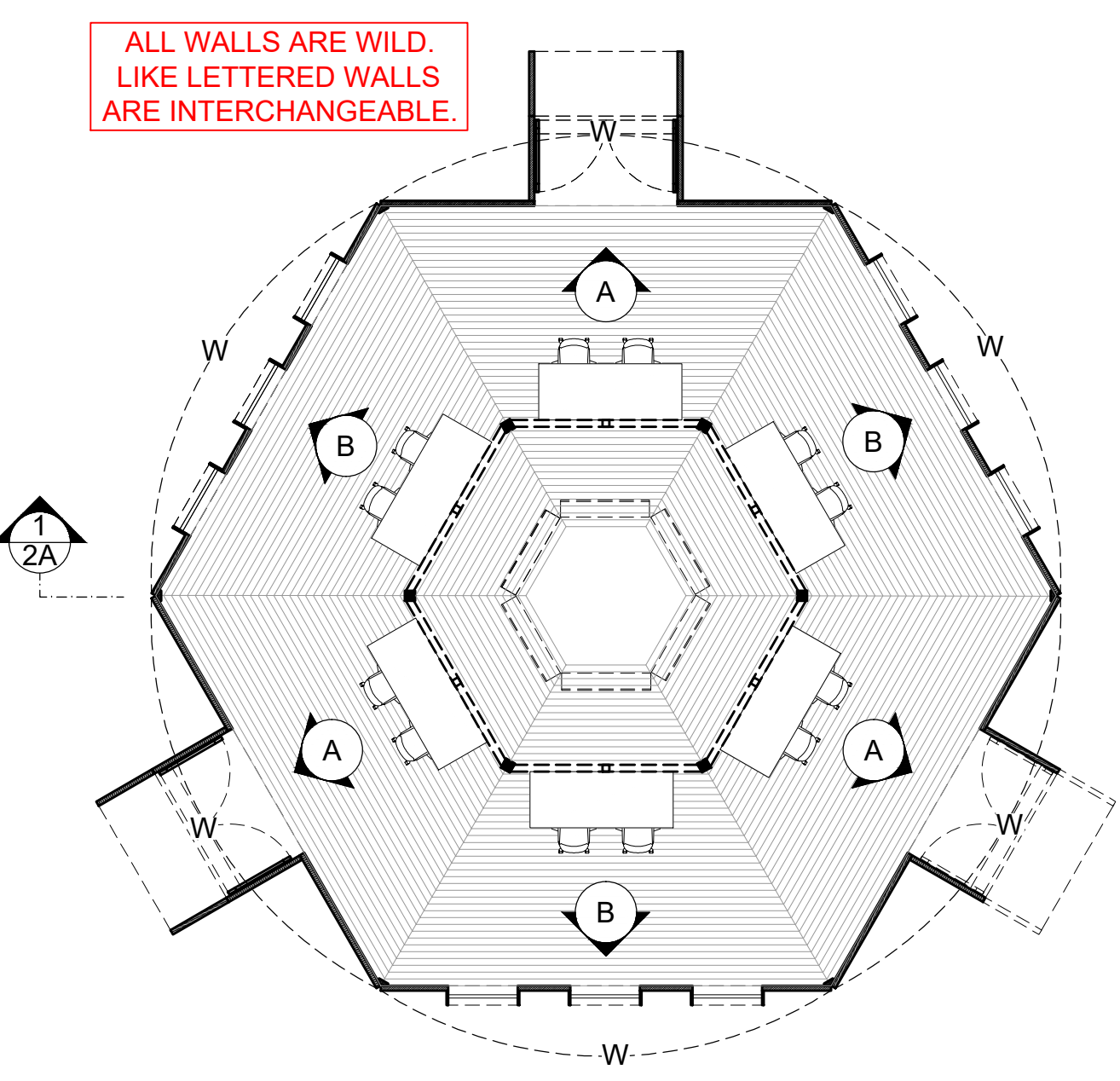
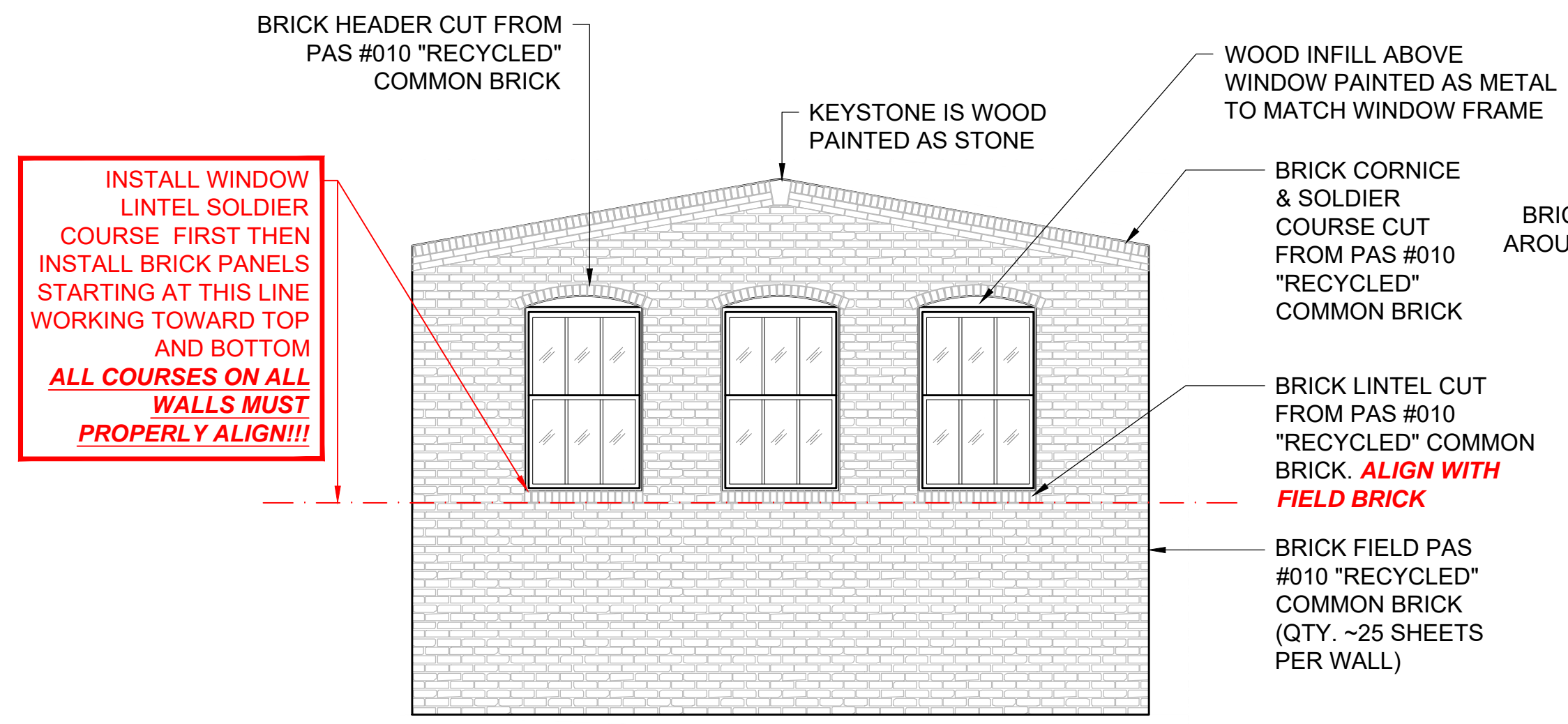


1 PLAN & ELEVATION - WALLS A & B (TYP)
SCALE: 1/4" = 1'-0"

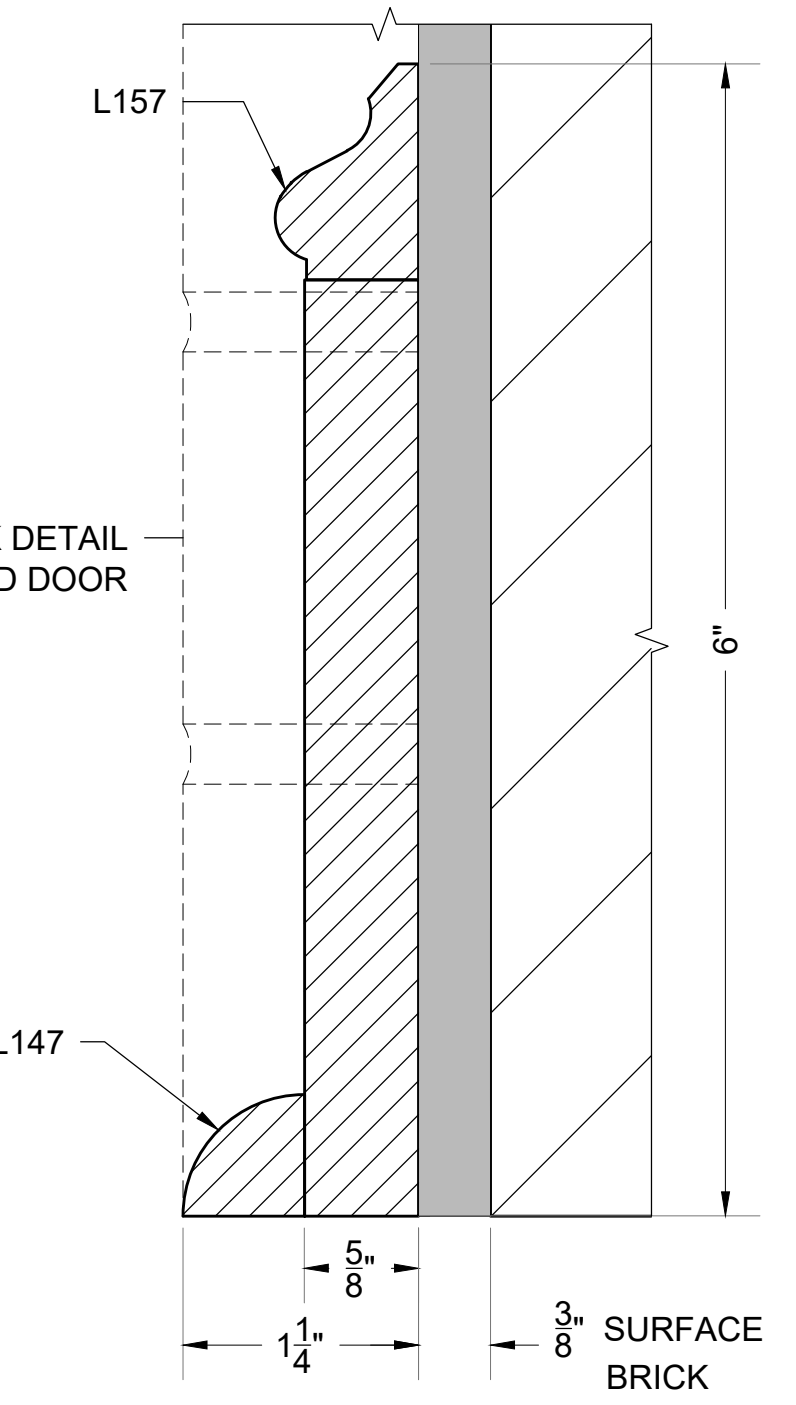
MAKE 3 EACH



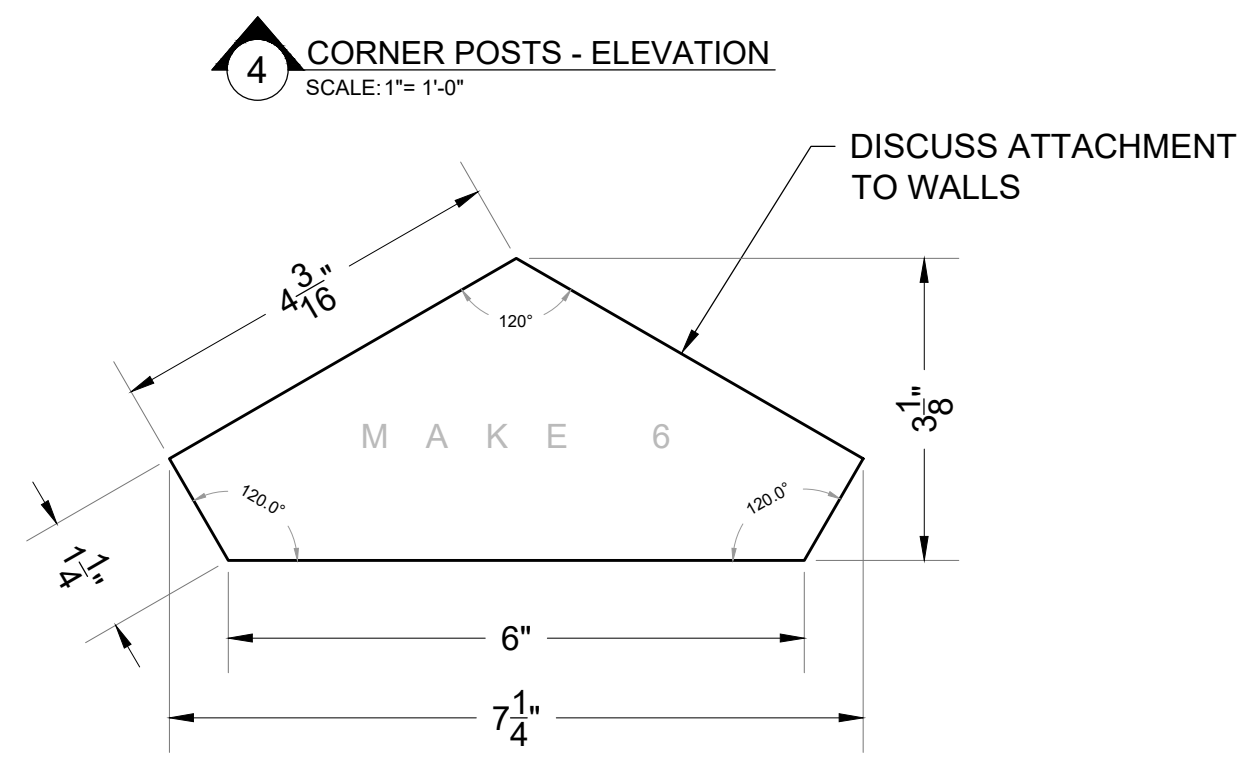
2 REFERENCE PLAN
SCALE: 1/8" = 1'-0"



3 TYPICAL BRICK LAYOUT
SCALE: 1/4" = 1'-0"

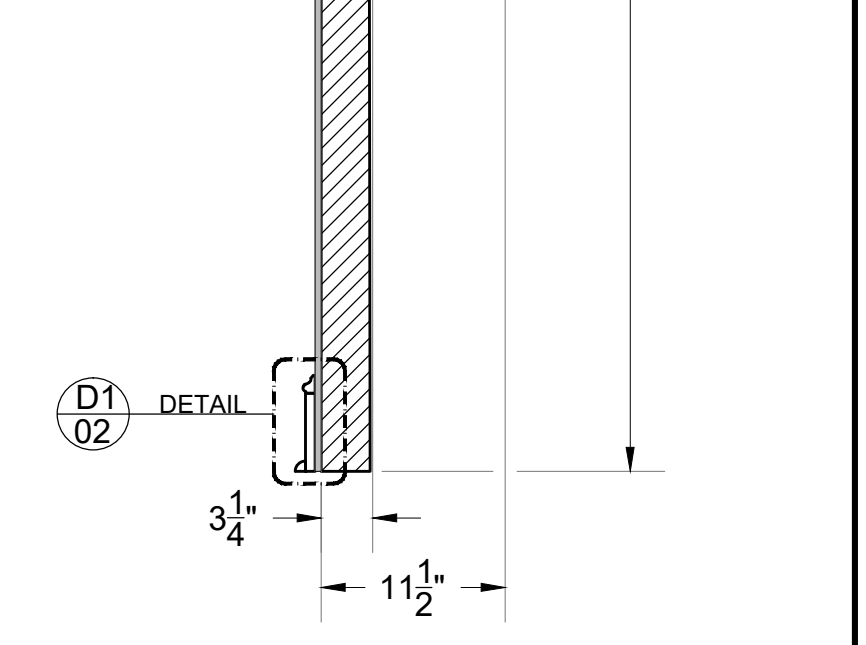


D1 SECTION - BASEBOARD
SCALE: FULL SCALE



4 CORNER POSTS - ELEVATION
SCALE: 1" = 1'-0"

5 CORNER POSTS - PLAN
SCALE: 6" = 1'-0"



7 SECTION - 3
SCALE: 1" = 1'-0"