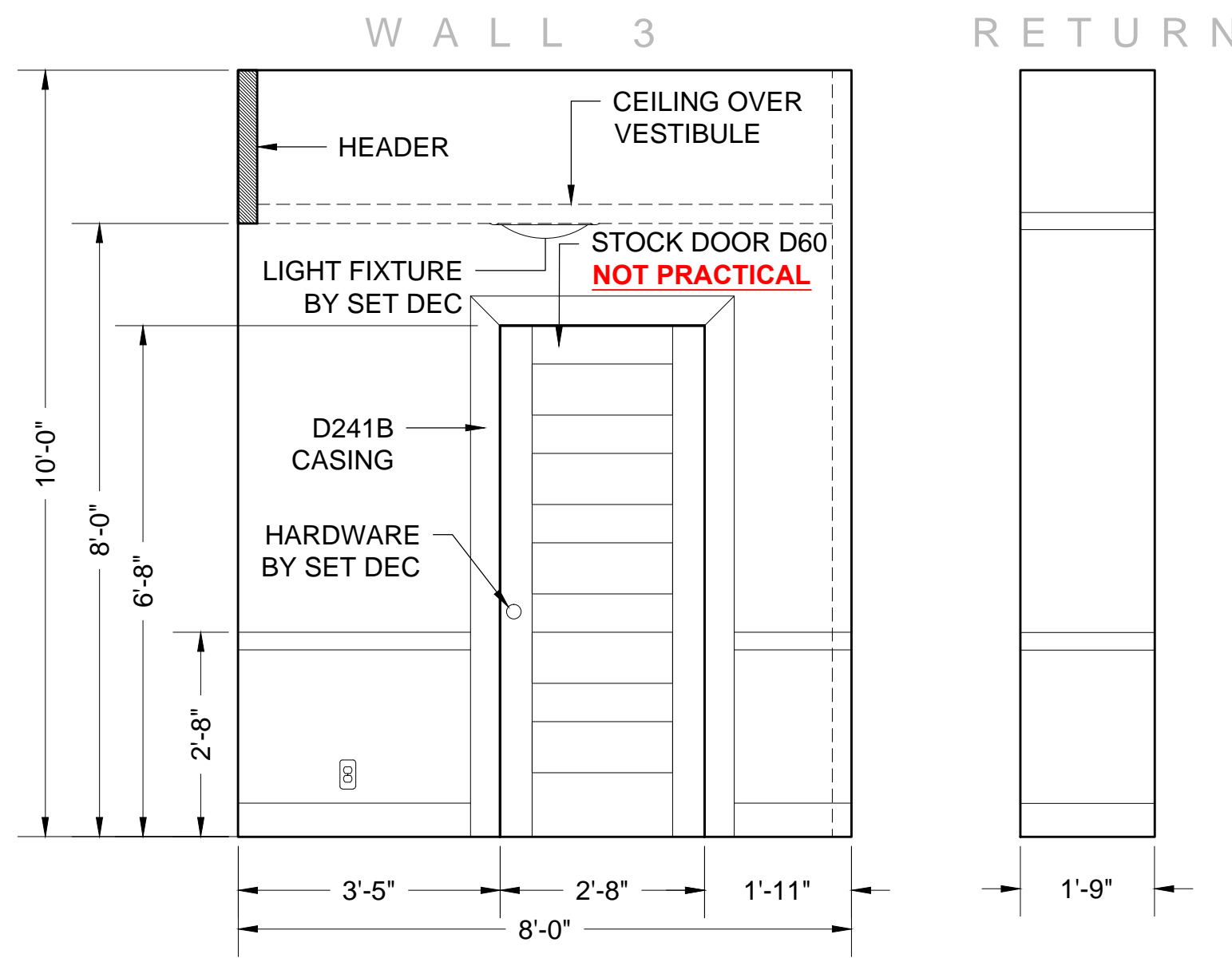
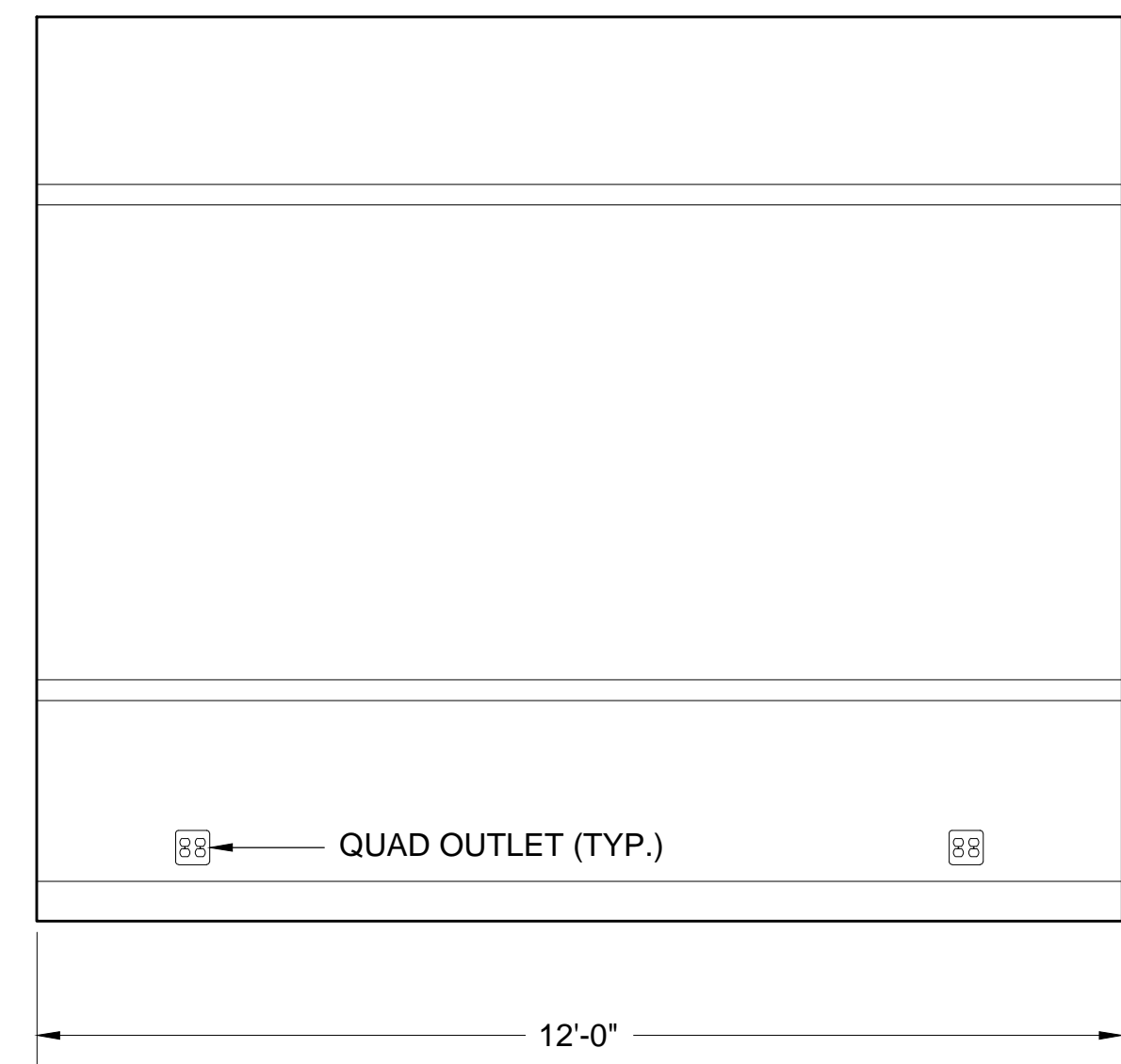


HALLWAY SIDE - ELEVATION

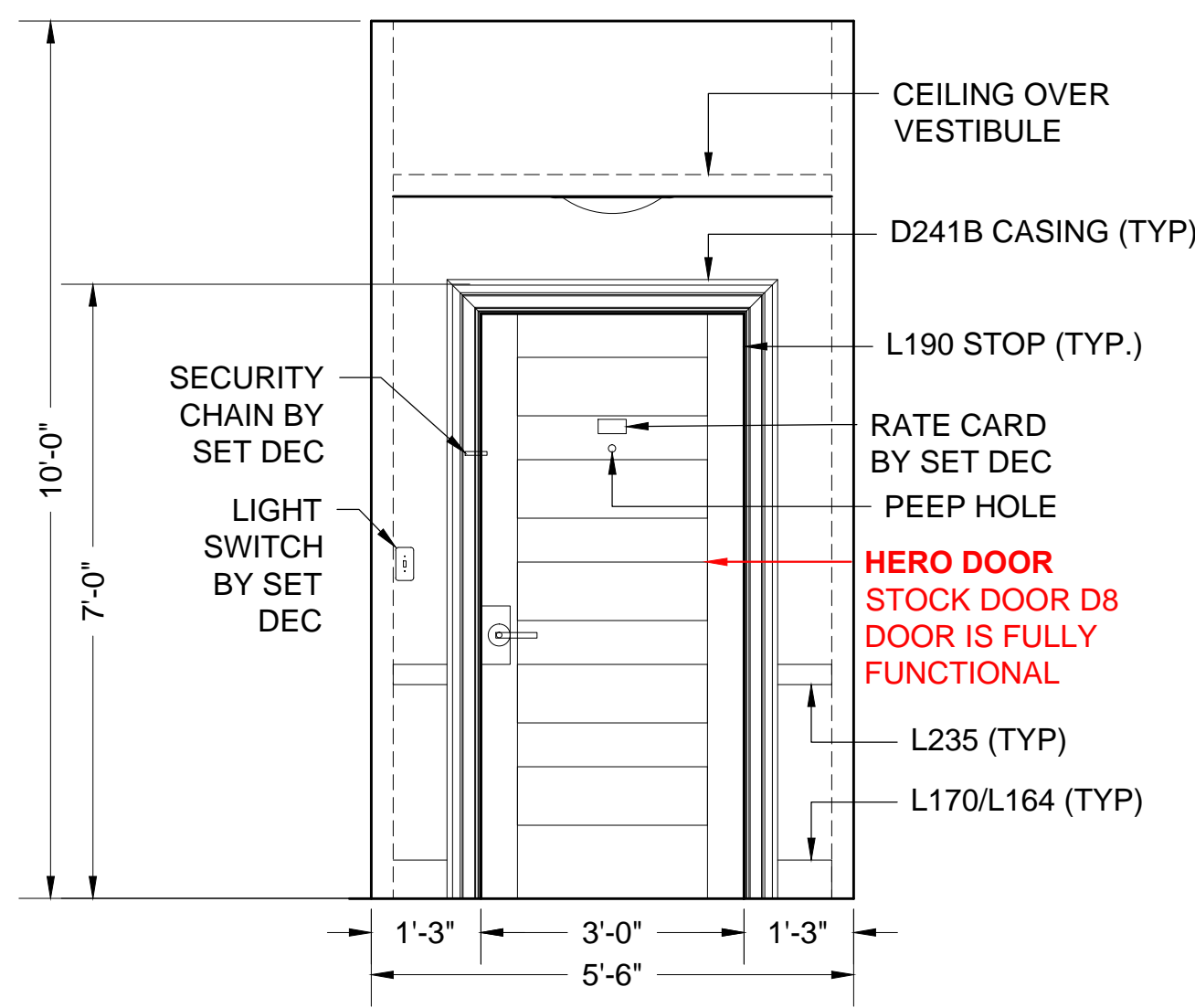


3 ELEVATION - WALL 3 & 3 RETURN  
SCALE: 1/2" = 1'-0"

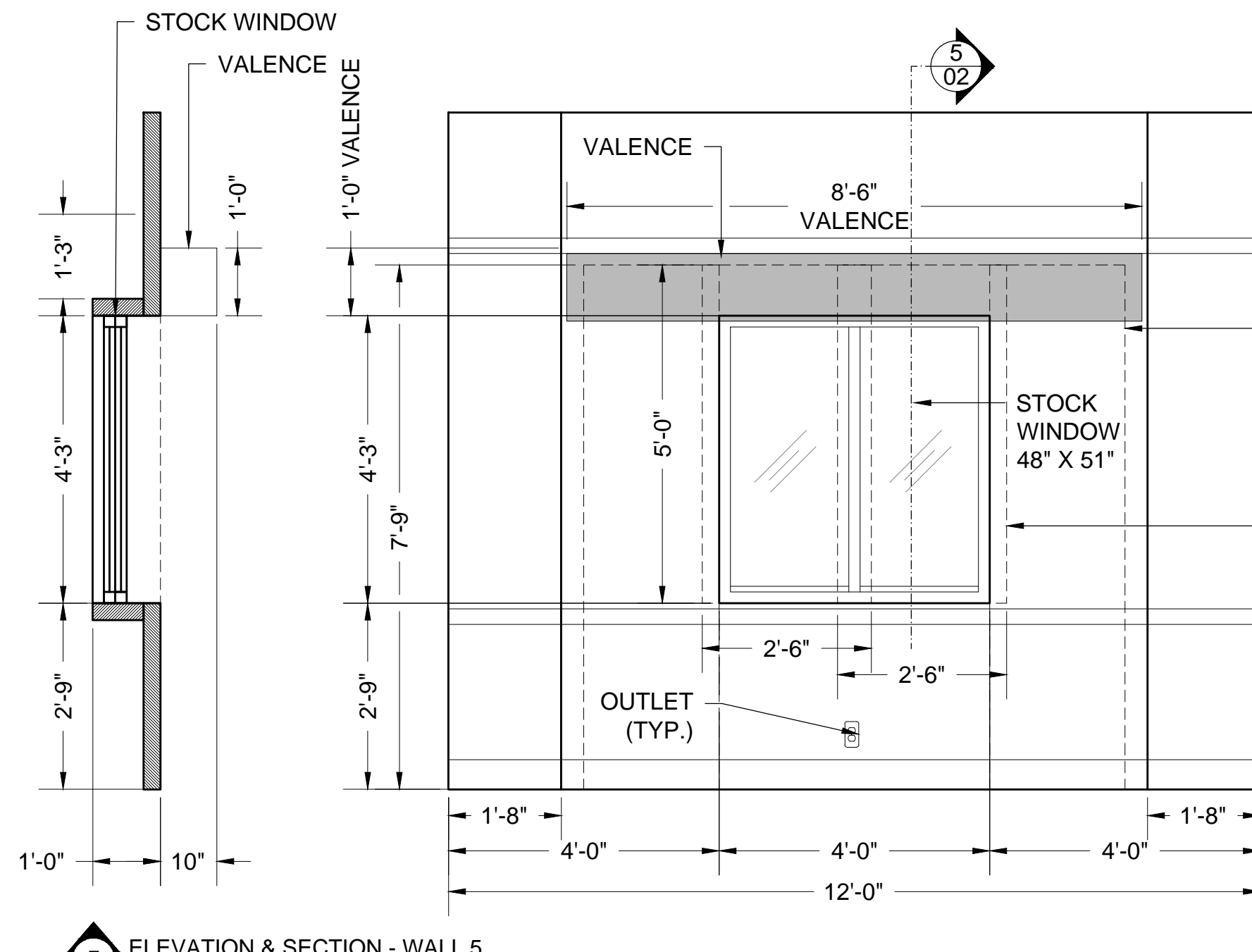


4 ELEVATION - WALL 4  
SCALE: 1/2" = 1'-0"

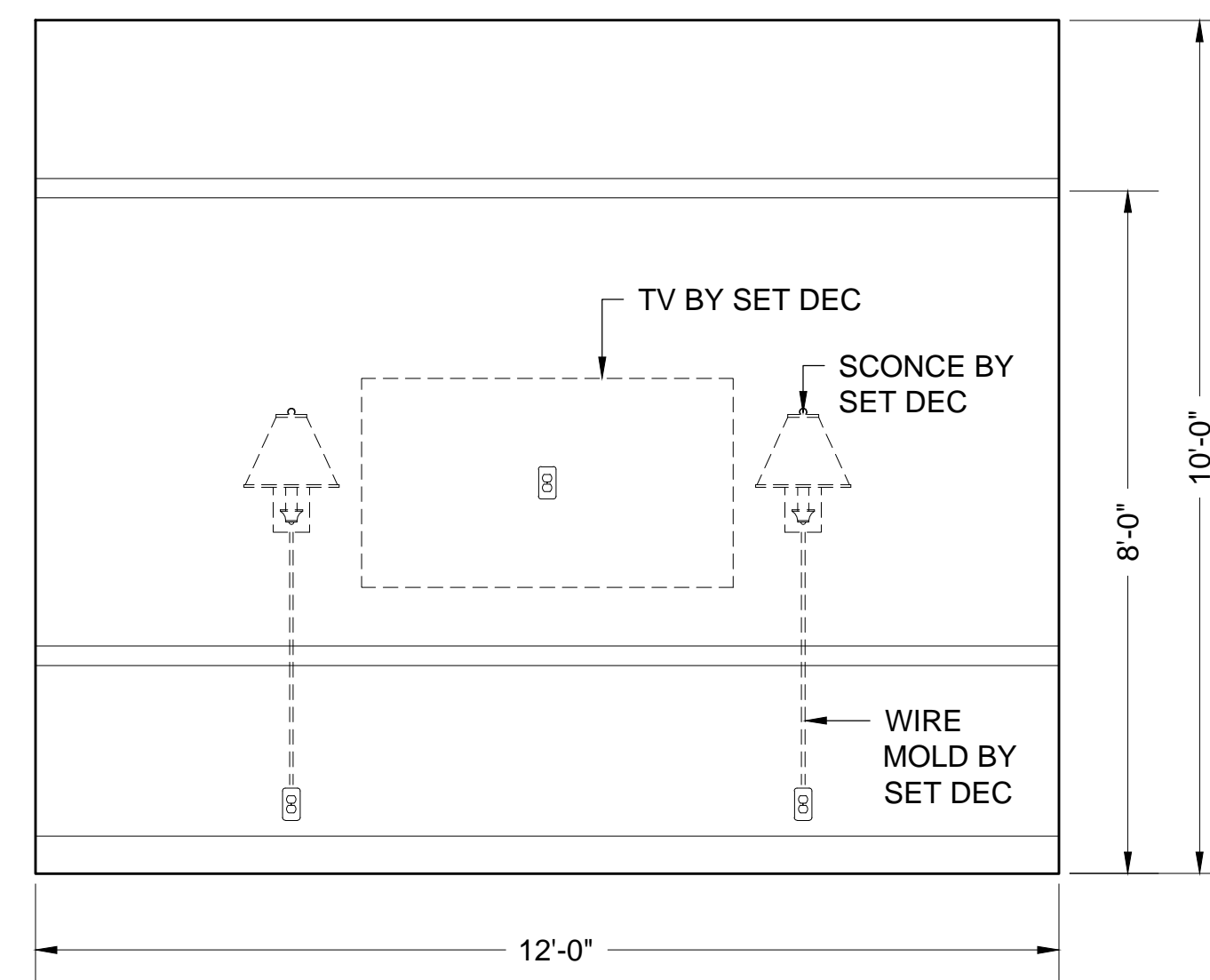
SURFACE FINISHES					
CEILINGS	WALLS	DOORS	TRIM	FLOOR	OTHER
PAINT	MAIN ROOM PAINT ABOVE CHAIR RAIL WALL PAPER BELOW CHAIR RAIL	PAINT	PAINT	CARPET	
				HALL 90 SQ. FT B.R. 200 SQ. FT	
	HALLWAY PAINT GREEN BELOW PICTURE RAIL PAINT WHITE ABOVE				



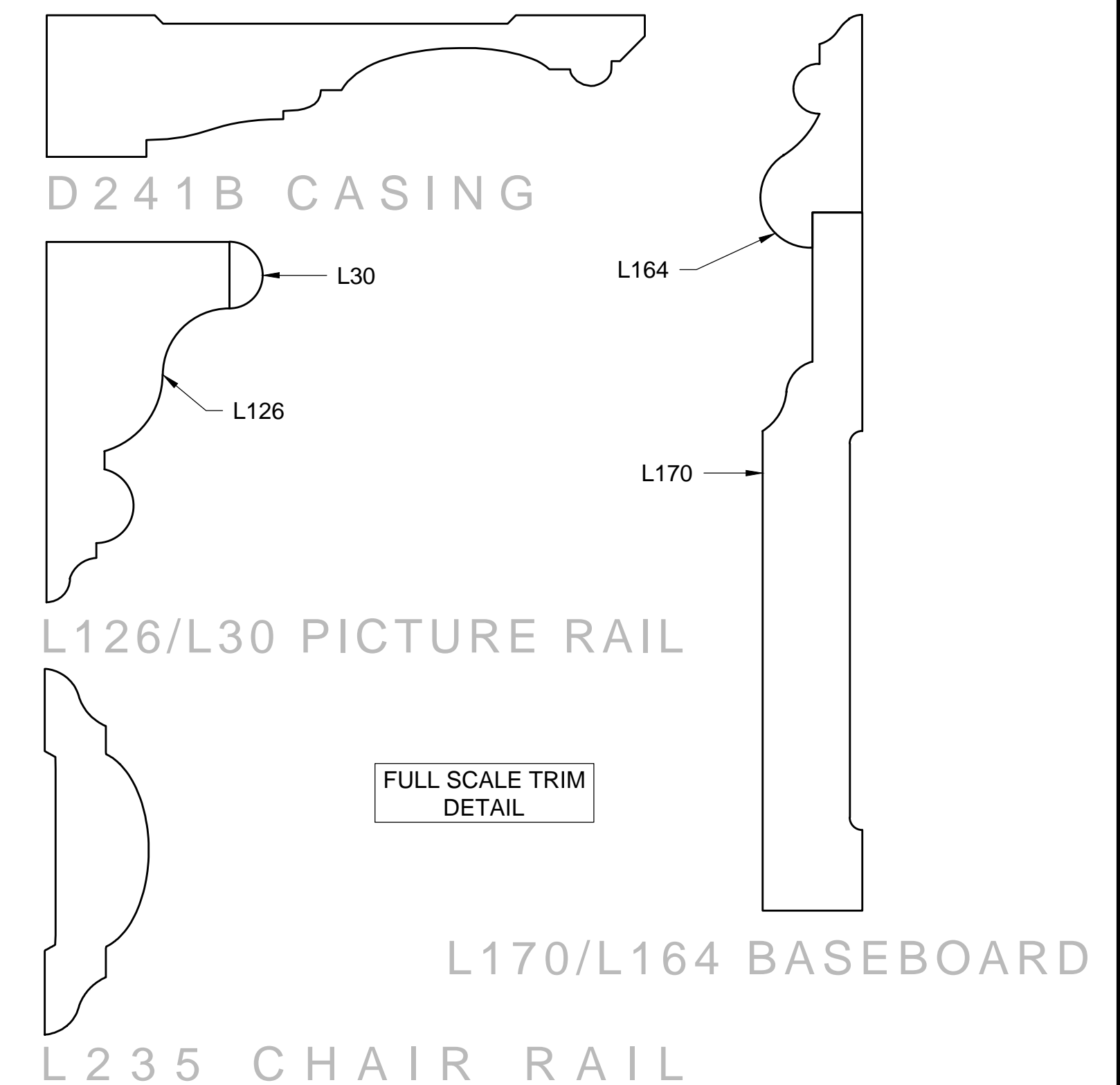
ROOM SIDE - ELEVATION



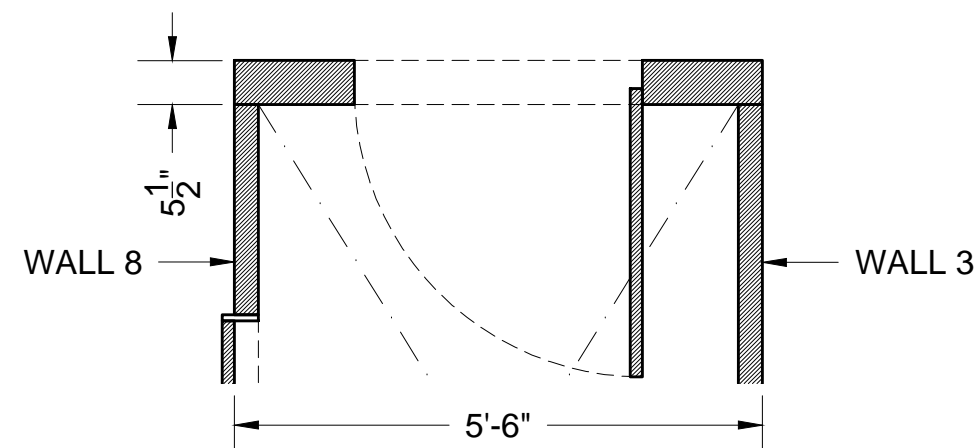
5 ELEVATION & SECTION - WALL 5  
SCALE: 1/2" = 1'-0"



6 ELEVATION - WALL 6  
SCALE: 1/2" = 1'-0"

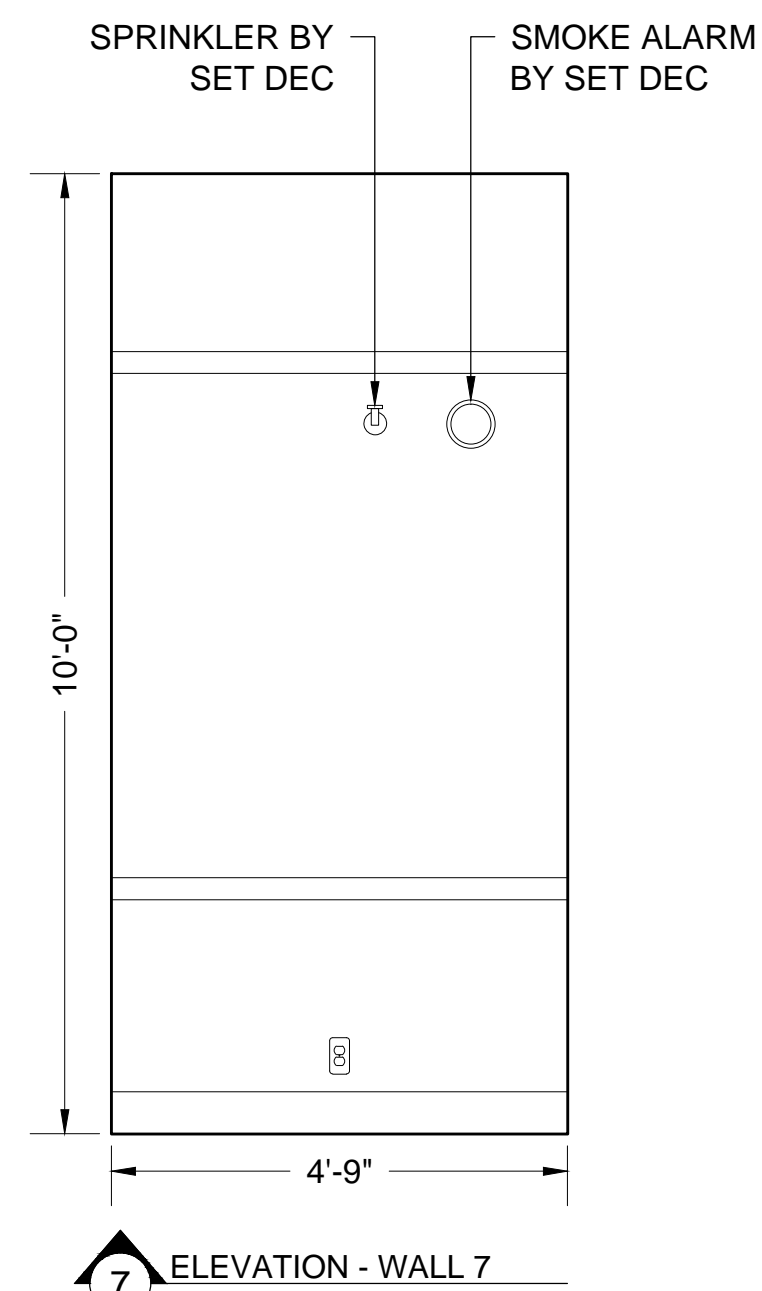


L235 CHAIR RAIL

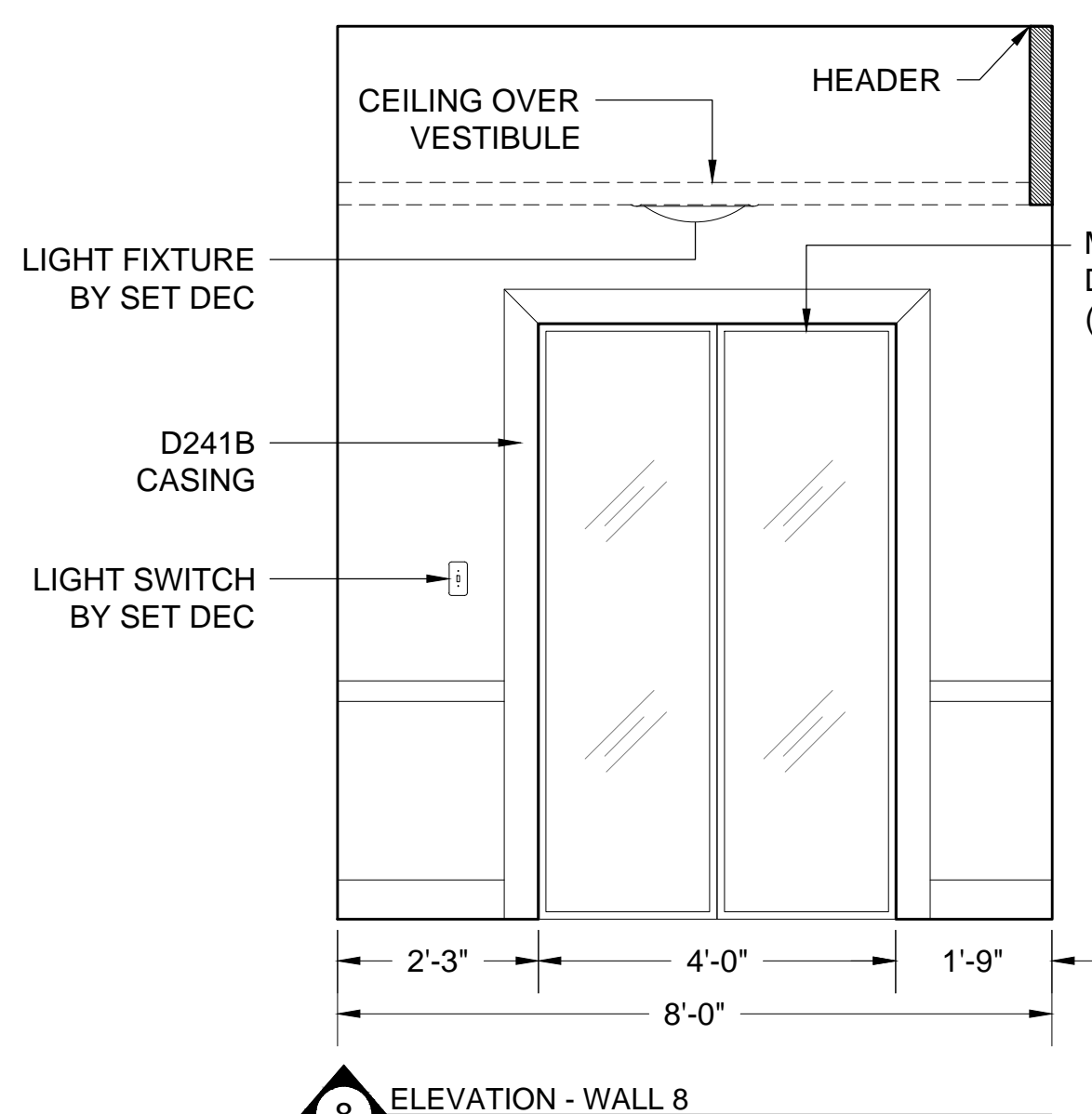


ROOM SIDE - PLAN

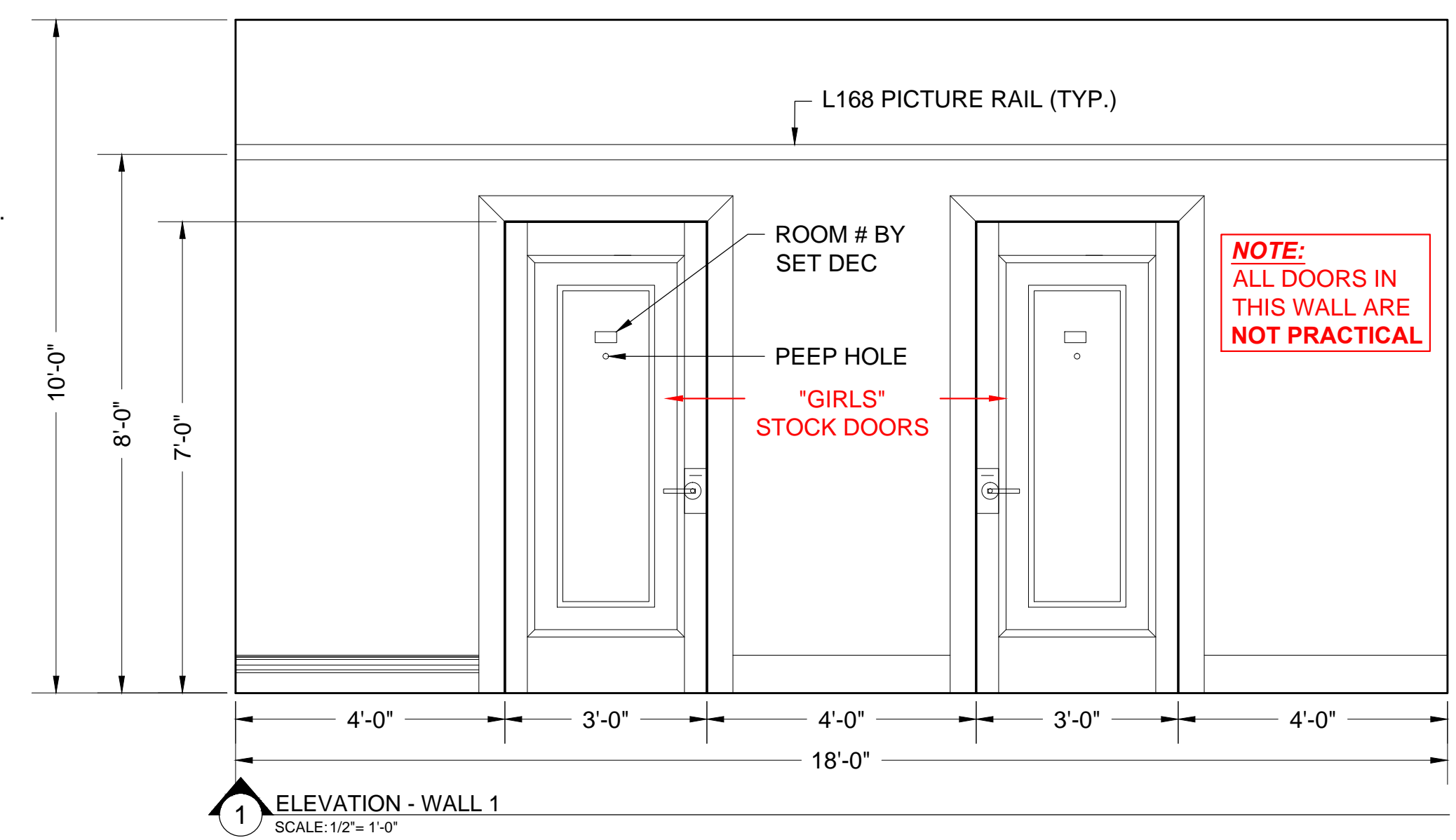
2 PLAN & ELEVATION - WALL 2 - ROOM SIDE AND HALLWAY SIDE  
SCALE: 1/2" = 1'-0"



7 ELEVATION - WALL 7  
SCALE: 1/2" = 1'-0"



8 ELEVATION - WALL 8  
SCALE: 1/2" = 1'-0"



1 ELEVATION - WALL 1  
SCALE: 1/2" = 1'-0"

SEE SHT. #1 FOR PLAN  
REVISED 08/22

NOTE:  
ALL DOORS IN  
THIS WALL ARE  
NOT PRACTICAL