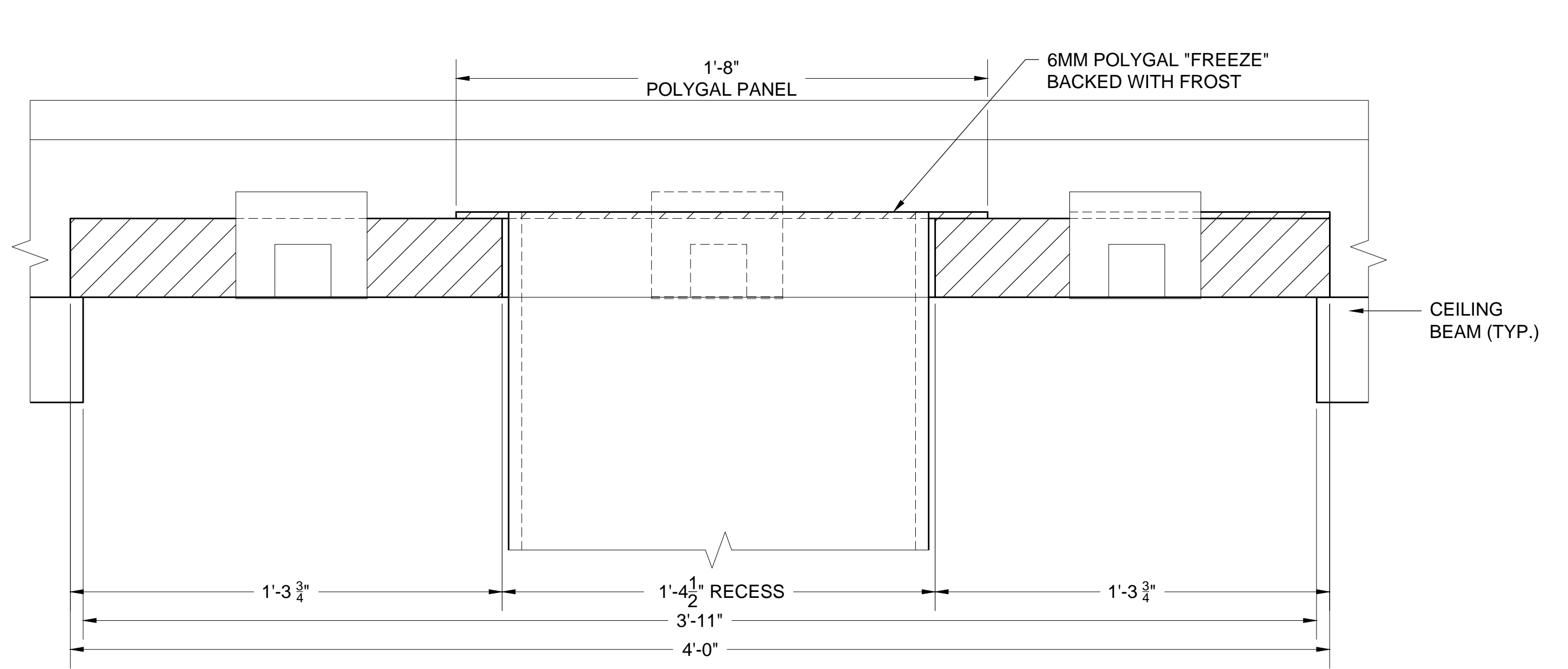
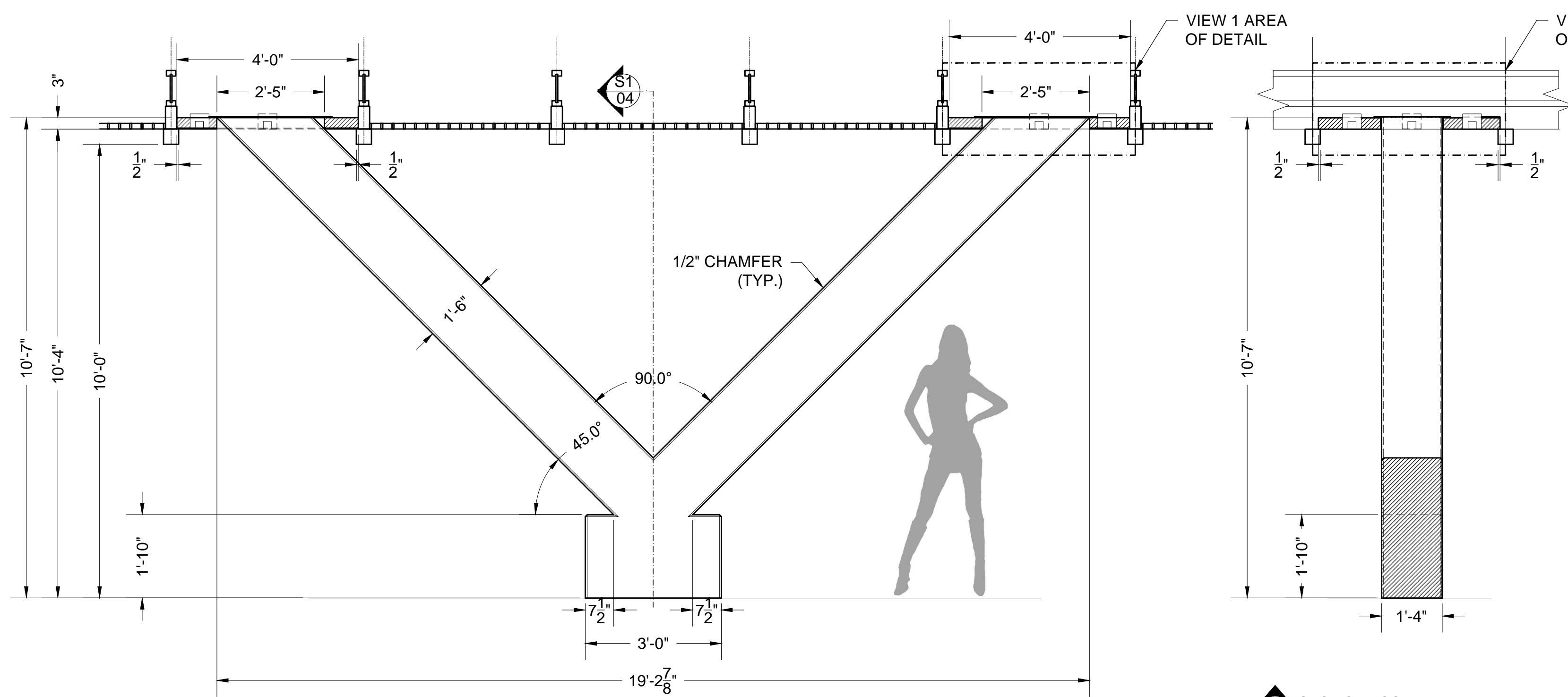


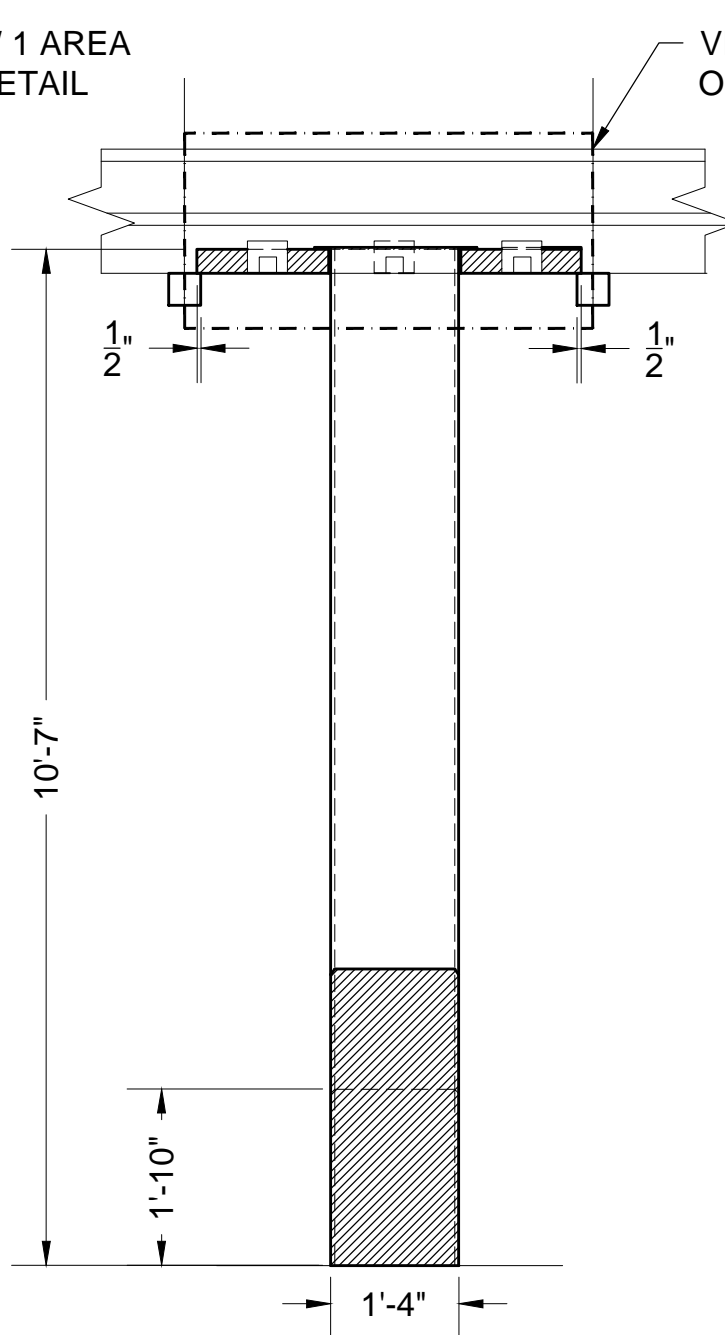
1 NEW CEILING PANEL FRONT ELEVATION DETAIL - TYPICAL
SCALE: 3/8" = 1'-0"



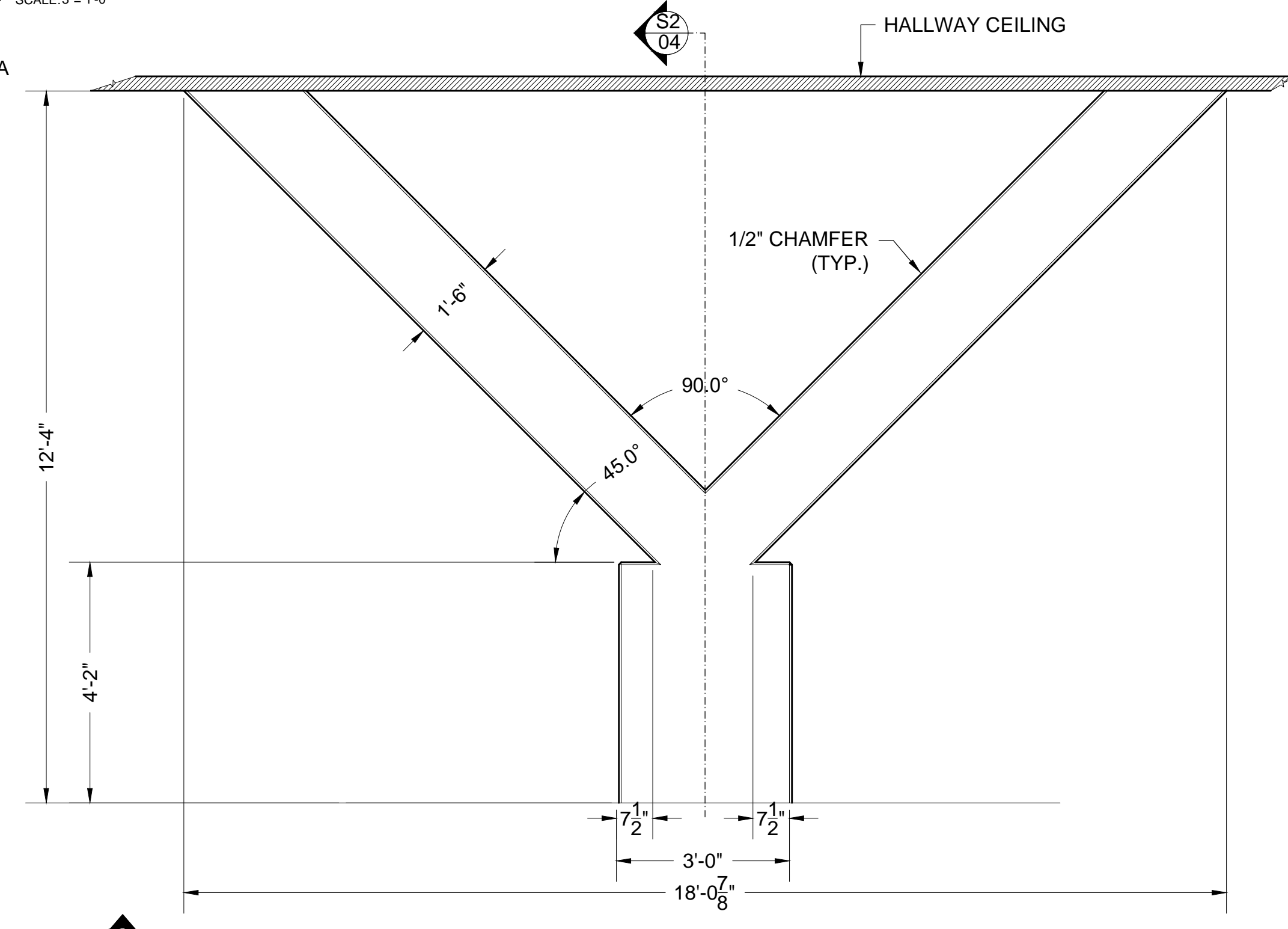
2 NEW CEILING PANEL LEFT ELEVATION DETAIL - TYPICAL
SCALE: 3/8" = 1'-0"



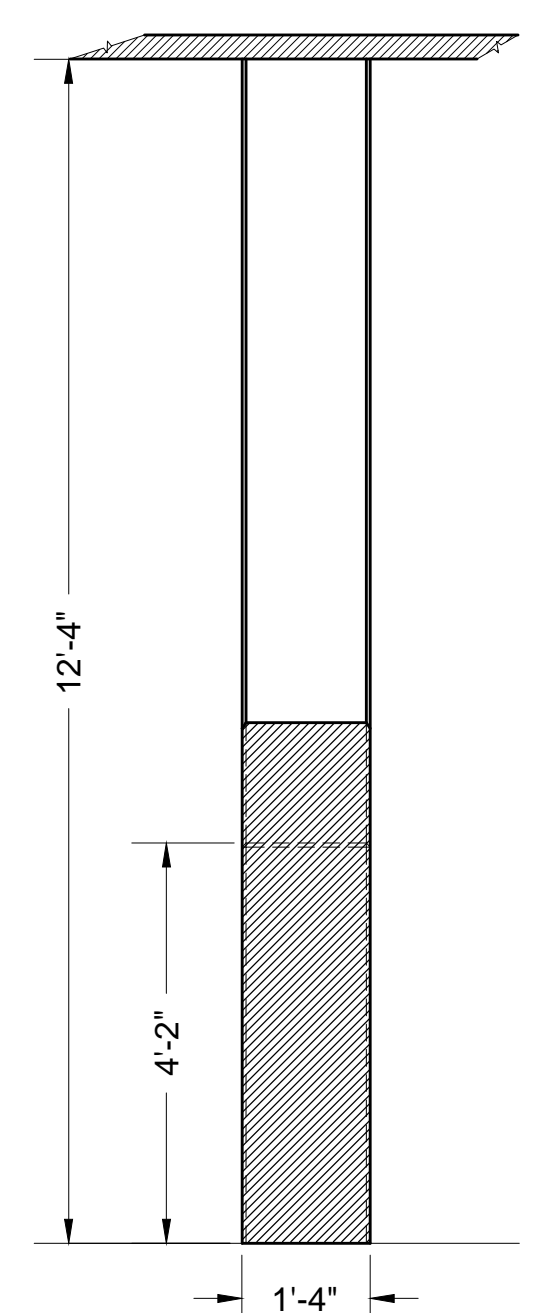
3 FRONT ELEVATION - COLUMN A
SCALE: 1/2" = 1'-0"



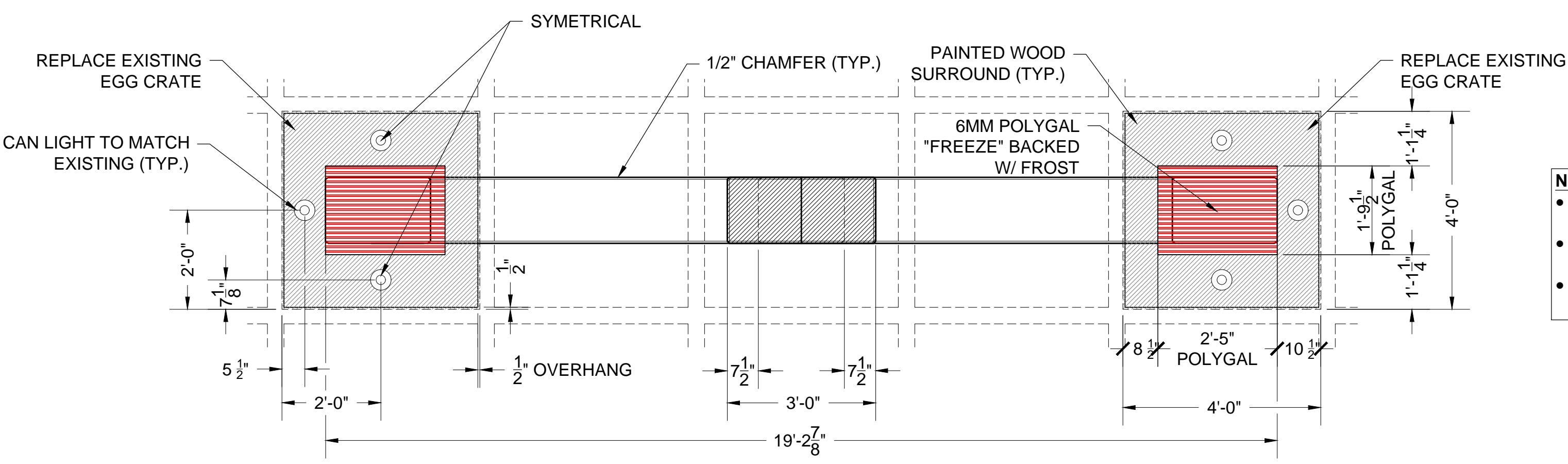
S1 SECTION - COLUMN A
SCALE: 1/2" = 1'-0"



4 FRONT ELEVATION - COLUMN B
SCALE: 1/2" = 1'-0"

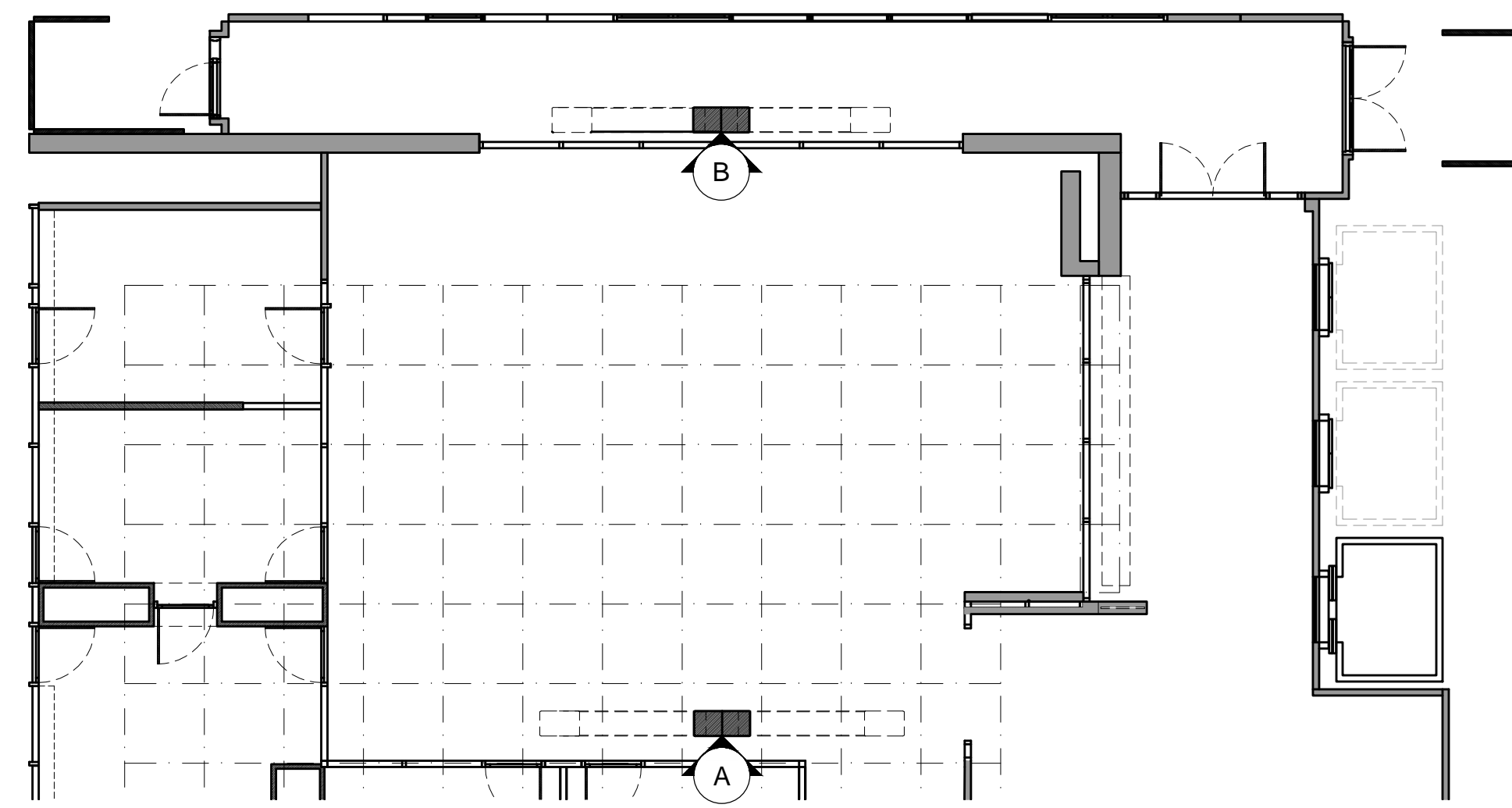


S2 SECTION - COLUMN B
SCALE: 1/2" = 1'-0"



5 PLAN - COLUMN A & B
SCALE: 1/2" = 1'-0"

- NOTES:**
- COLUMNS ARE PAINTED AS VARNISHED CONCRETE
 - PAINT SOLID AREAS OF CEILING PANELS WHITE
 - PAINT RECESS REVEALS IN NEW CEILING PANELS WHITE



6 REFERENCE PLAN
SCALE: 1/8" = 1'-0"

**REVISED
12/06**



PRODUCTION DESIGNER
JEREMY CONWAY
ART DIRECTOR
C.J. SIMPSON
DRAWING BY : **DWM**

SET: TASK FORCE BUNKER
LOCATION: STAGE 1

EPISODE : SET # :
108
SCALE :
AS NOTED
ON 24X36 SHEET

DRAWING DATE : SHOOT DATE :
DEC 05 2016 JAN 09 2017

SUPPORT COLUMNS

SHEET # :
04