

**Argus System Outline for \_\_\_\_\_ Gin**

**Date:** \_\_\_\_\_

Zone Description		Pipe Diameter	Number of Detectors
1			
2			
3			
4			
5			
6			
7			
8			
9			
10			

11			
12			
13			
14			
15			
16			
17			
18			
19			
20			

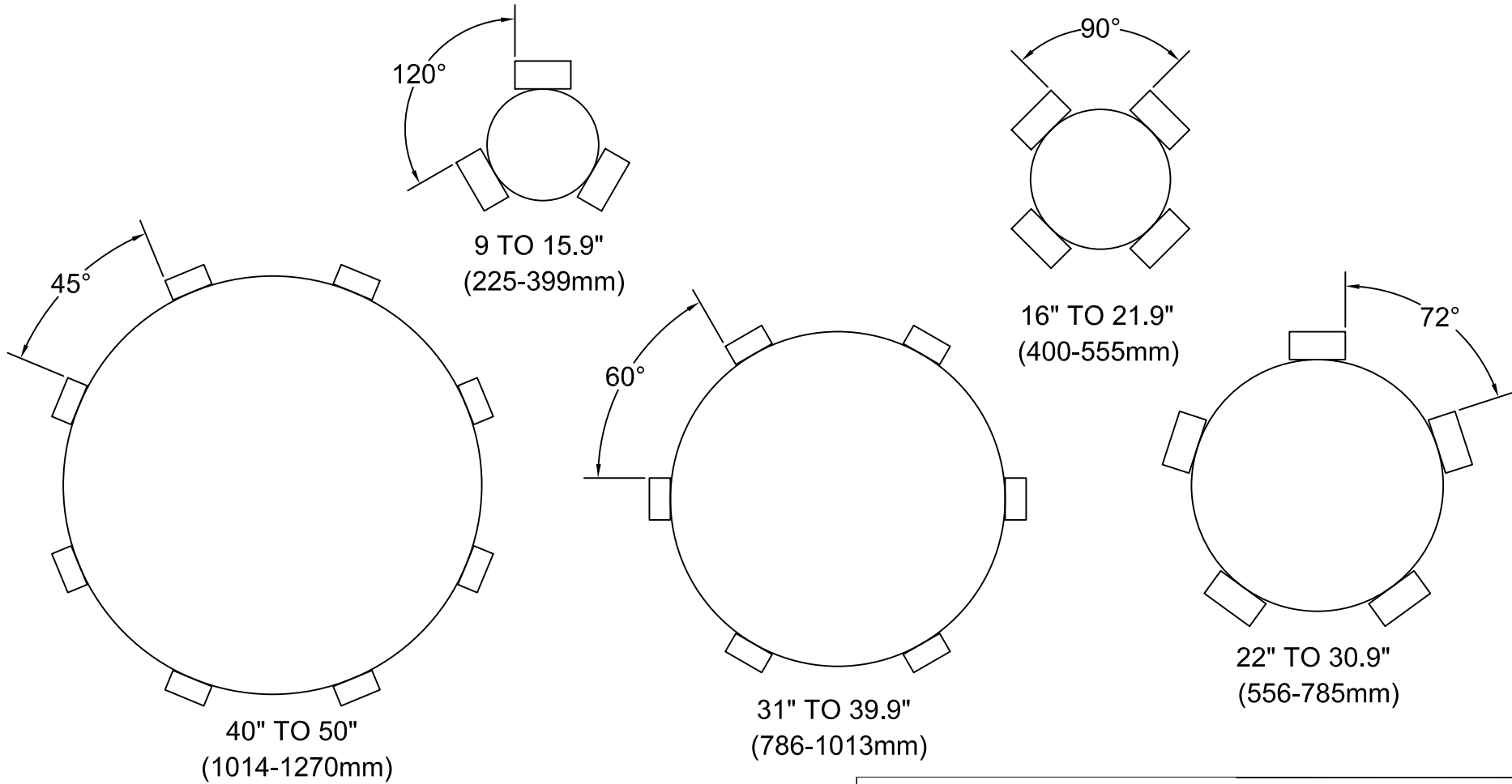
Note: 10 or 20 zones maximum on one Argus panel (dependent on model)  
 Maximum of 60 or 120 detectors total on one panel (dependent on model)  
 Maximum of 14 detectors per zone.

**Example**

Zone Description		Pipe Diameter	Number of Detectors
1	1A 10-foot inclined cleaner inlet	23"	5
2	1B 10-foot inclined cleaner inlet	23"	5
3	Overflow	18"	4
4	Gin stand 1	N/A	2
5	Gin stand 2	N/A	2
6	Gin stand 3	N/A	2
7	Gin stand 4	N/A	2
8	Lint flue riser	40"	8
9			
10			

RECOMMENDED DETECTORS FOR COTTON GINS

REV	ECN	DESCRIPTION	DATE	BY
A	NONE	RELEASED DWG	08/09	KSS



<b>ARGUS</b>		CHARLOTTE, NC U.S.A.	
		TEL: +1.704.372.1228 www.argusfirecontrol.com e-mail:engineering@argusfirecontrol.com	
DESC. COTTON GIN DETECTOR SPECS FOR ROUND DUCTS			
SIZE A	DRAWN BY KSS	DWG NO. 84010	REV A
SCALE NONE	DATE 08.25.09	SHEET 1 OF 1	