

Target Mini SL

Features:

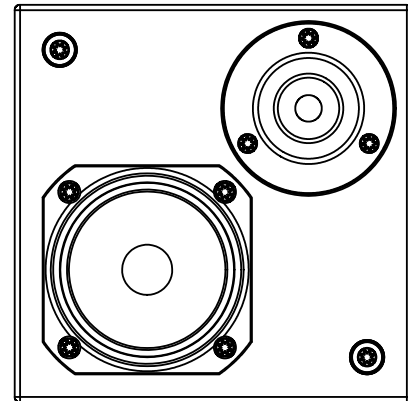
- Extremely small and compact cabinet design
- low distortion
- low power consumption
- Fast, easy and simple installation
- Suitable for a wide range of application, from HiFi Systems, Multi Room Systems and smaller Home Cinemas
- Ultra-slim aesthetically pleasing cabinet design, designed to complement the latest LED screen designs

Target SL Overview:

This multi purpose monitor shares many characteristics with the other models in the SL range. Maintaining Artcoustic's clean contemporary design, the Target Mini SL has been designed to match all modern flat screen monitors.

Target Mini SL - This is a very flexible loudspeaker, designed for use in smaller rooms for home cinema or HiFi, as well as being designed to be used for multi room applications in kitchens, bedrooms, studies etc.

Partner it with an Artcoustic Subwoofer for a truly full range, dynamic performance.



Components Overview:

High Frequency driver:

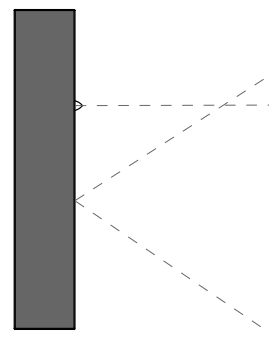
Dual Ring Radiator diaphragm with highly linear suspension and low loss surrounds for high clarity and clean transient response. Copper caps for better HF extension and lower distortion and wave-guide center plug, copper-clad aluwire

Woofers:

Extra long excursion and aluminium Short Circuiting Ring, 4-layer voice coil, anodised aluminium for improved heat dissipation, combined with Distortion Reduced Motor

Crossover:

6 dB/octave low pass and 12 dB/octave high pass filter



Side View Vertical Phase aligned Dispersion :

Specification Target Mini SL Precision Monitor

Transducer:

LF-MF 1 x 3 inch cone

HF 1 x 1 inch Dual Ring Radiator

Crossover:

Low Pass Filter 6 dB/octave 1000 Hz High Pass

12 dB/octave 4000Hz

Connection:

Single amp'd Gold Plated Push Terminals

Performance:

Operating Range 80 Hz (-3dB) to 40 kHz

Nominal Beamwidth Horizontal 90° Vertical 90°

Axial Sensitivity (whole space SPL) LF/MF-HF 88 dB

Input Impedance Nominal Minimum 8 ohms

Recommended High Pass Filter =>100 Hz, 24 dB/octave

Maximum Power Handling 50 Watt

Calculated Axial Output Limit (whole space SPL) Average Peak LF/MF-HF 100dB

Weight 1.4 kg

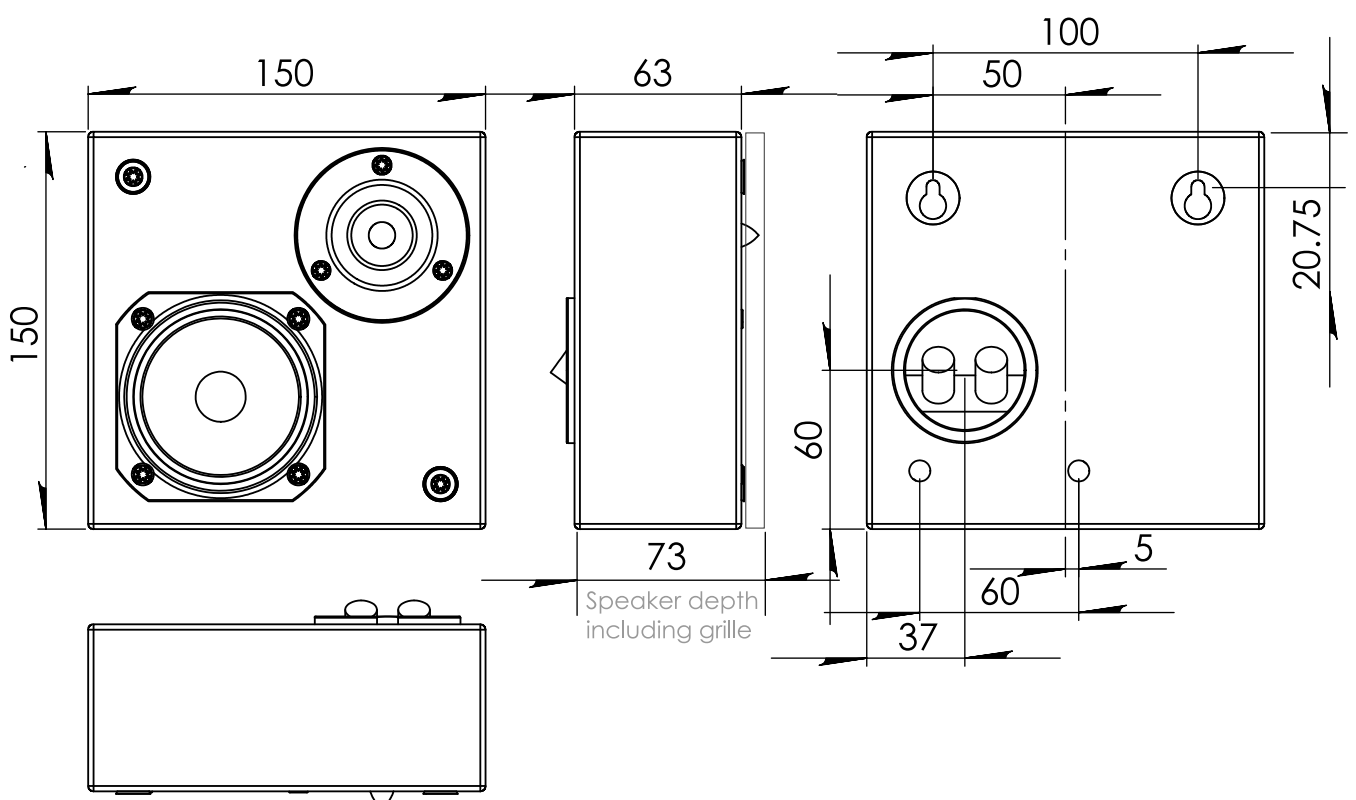
Dimensions H: 150 W: 150 D: 63 mm

Finish:

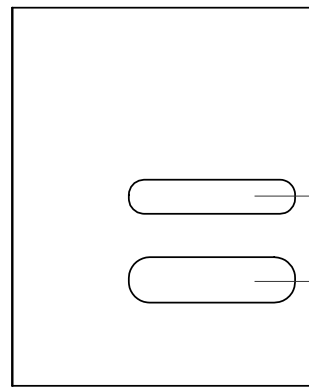
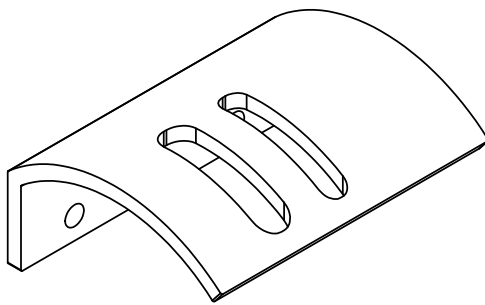
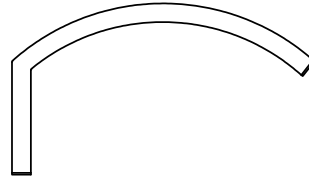
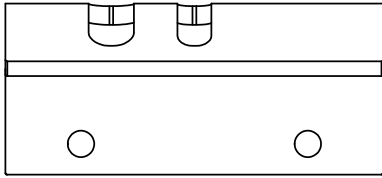
Cabinet: Black, White, RAL, NCS, Tikkurila, Gloss

Screen: Black, White, RAL, NCS, Tikkurila, Gloss

Target Mini SL Precision Monitor

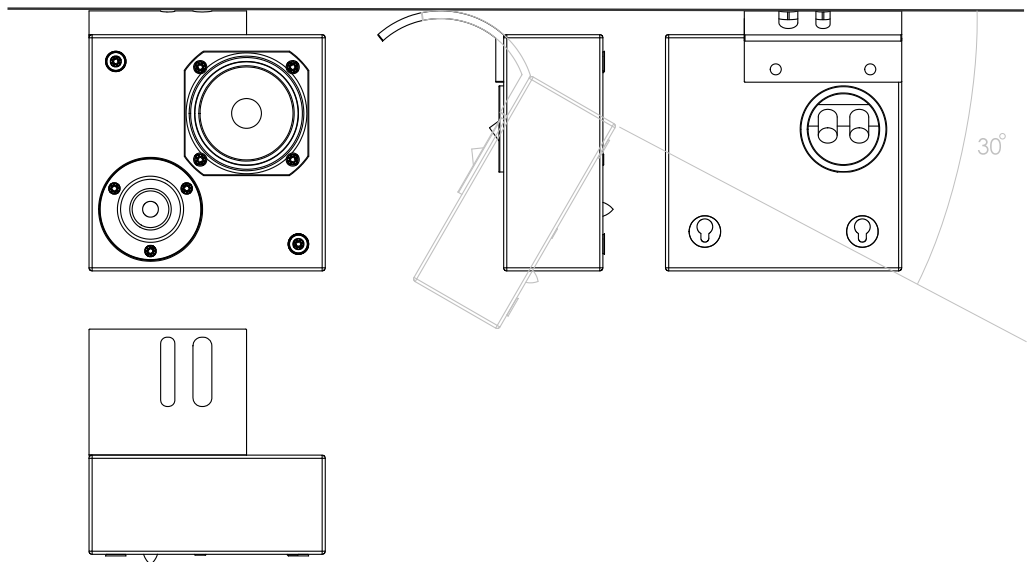
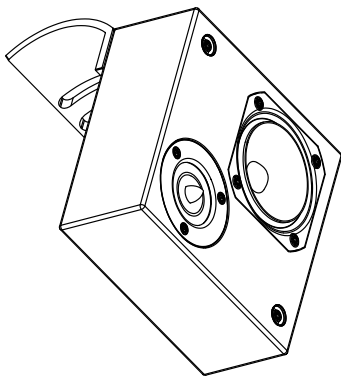


Optional extruded Aluminium ceiling mount



Screw mount groove

Cable groove



30°