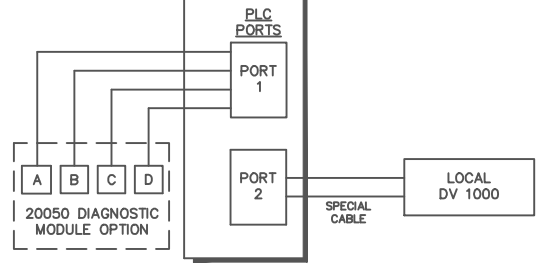
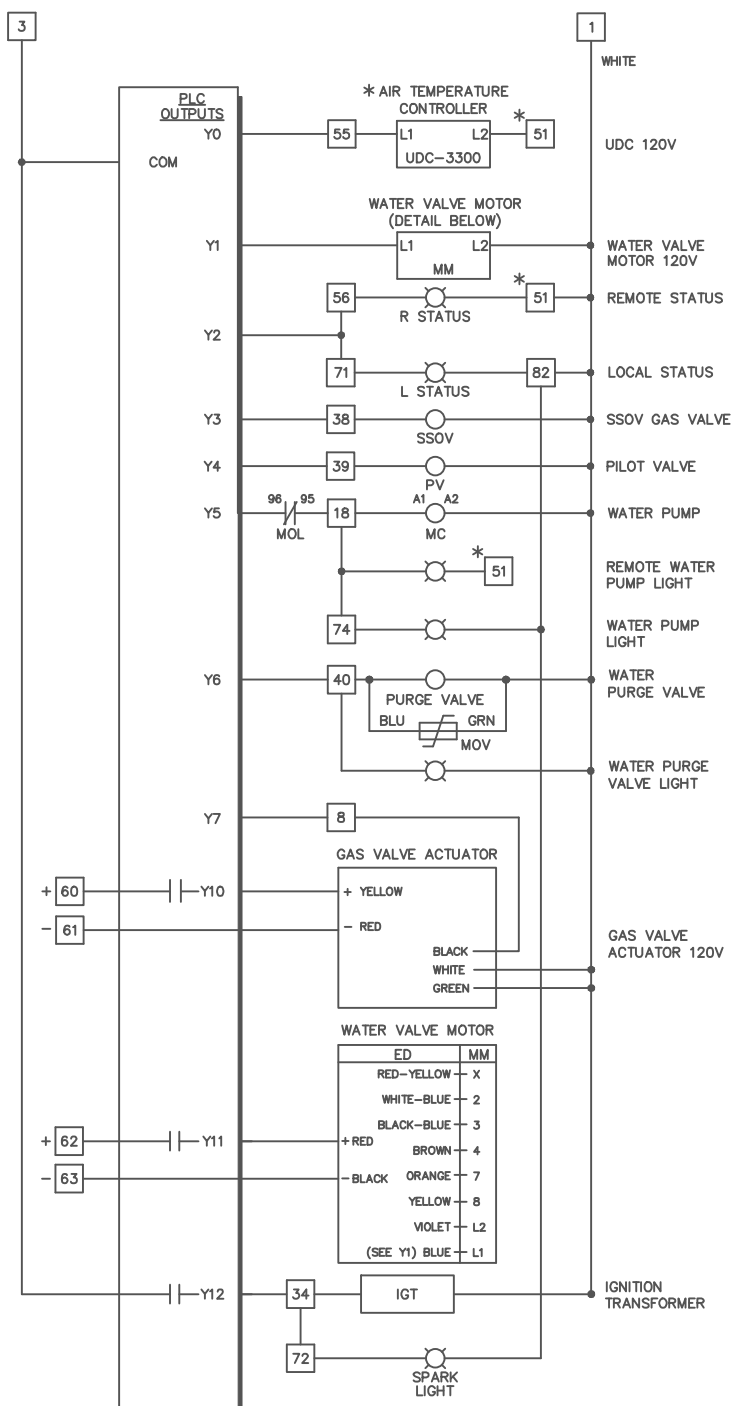
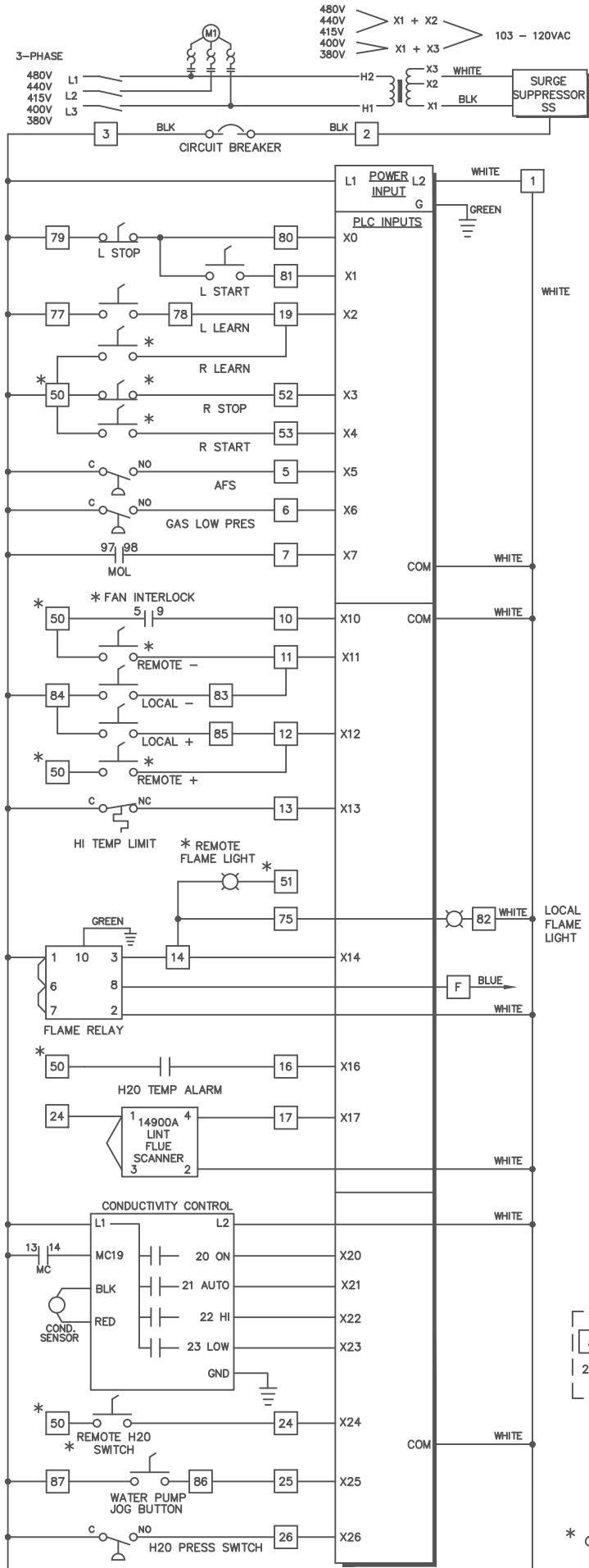


SAMUEL JACKSON, INC.	
EXTERNAL WIRING OF 20050 DIAGNOSTIC MODULE	
1-99	CA12170



* ON REMOTE CONTROL

DECAL NO. 10-20260

SAMUEL JACKSON, INC.

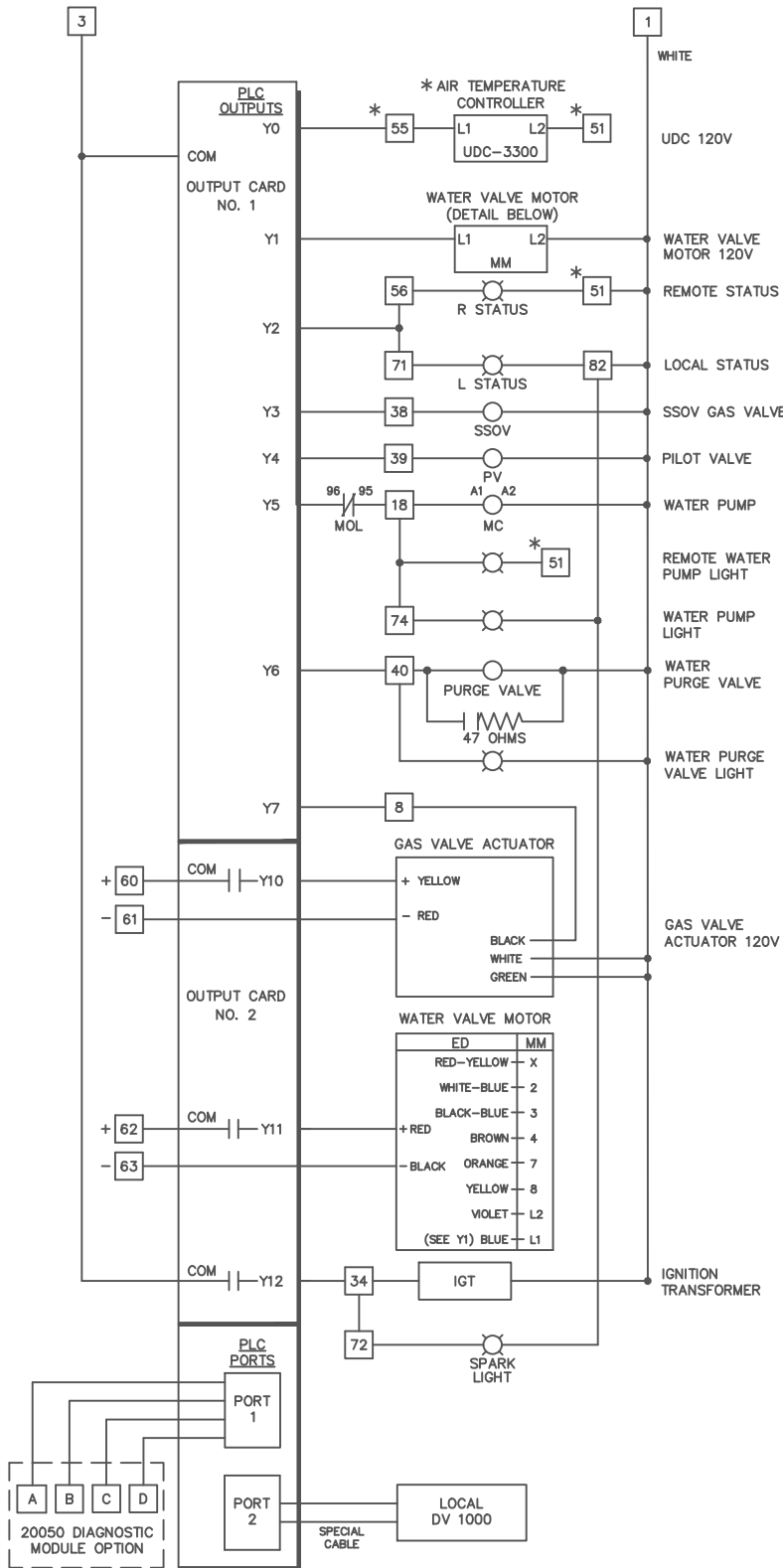
ELECTRICAL SCHEMATIC

HU-60-1255

GAS-FIRED HUMIDAIRE UNIT

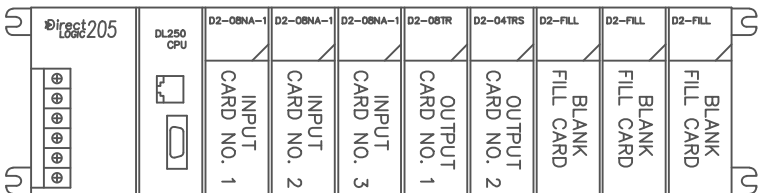
CA12130

9-98



PART NO. 20250 COMPLETE PLC

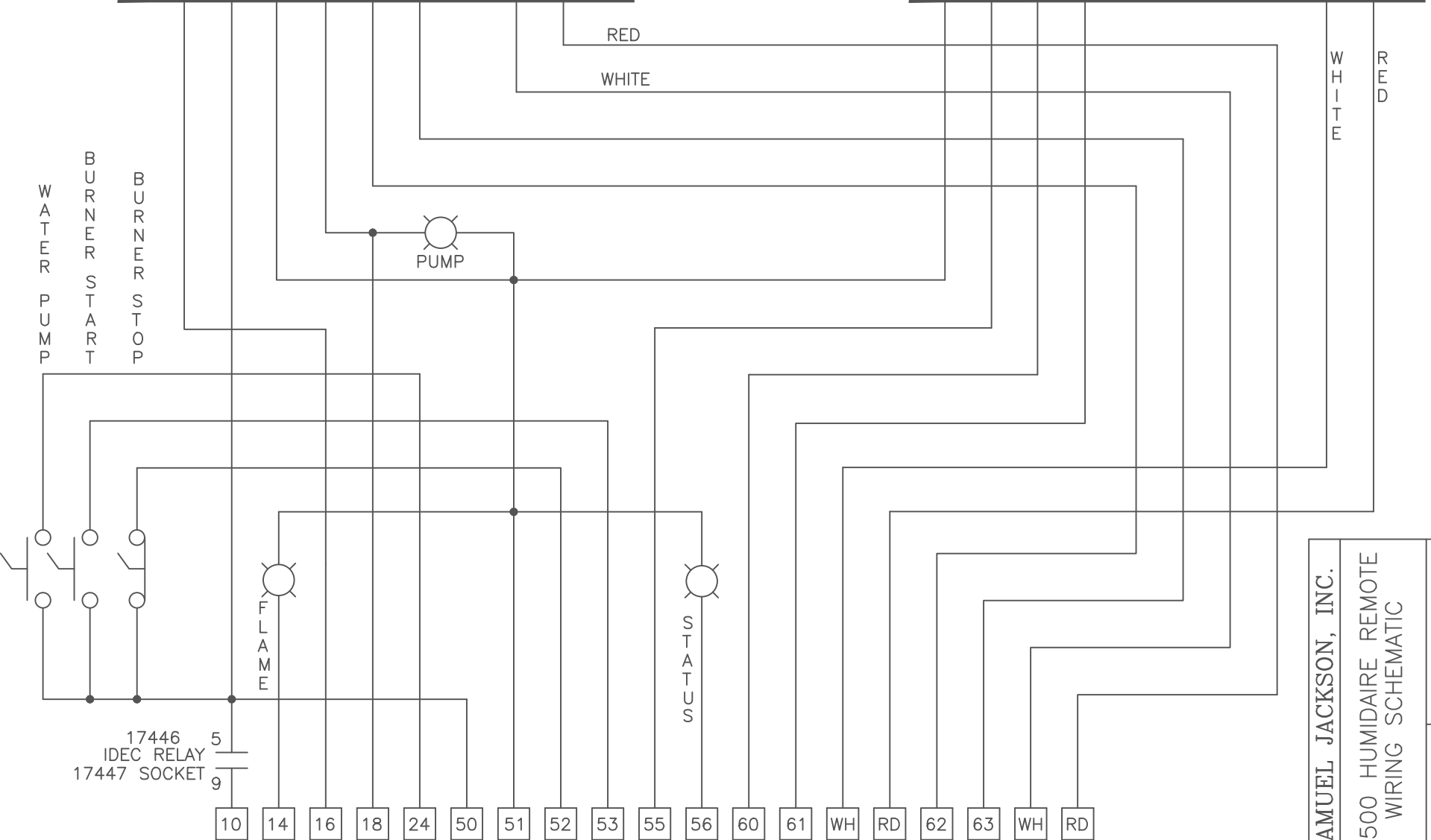
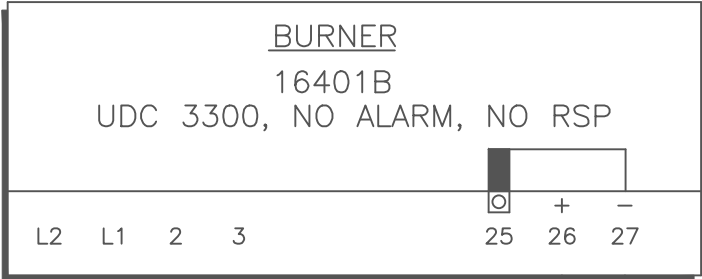
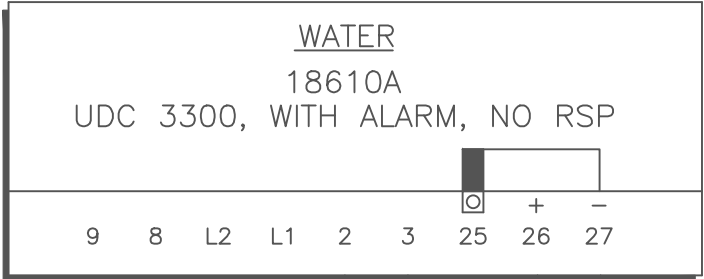
* ON REMOTE CONTROL



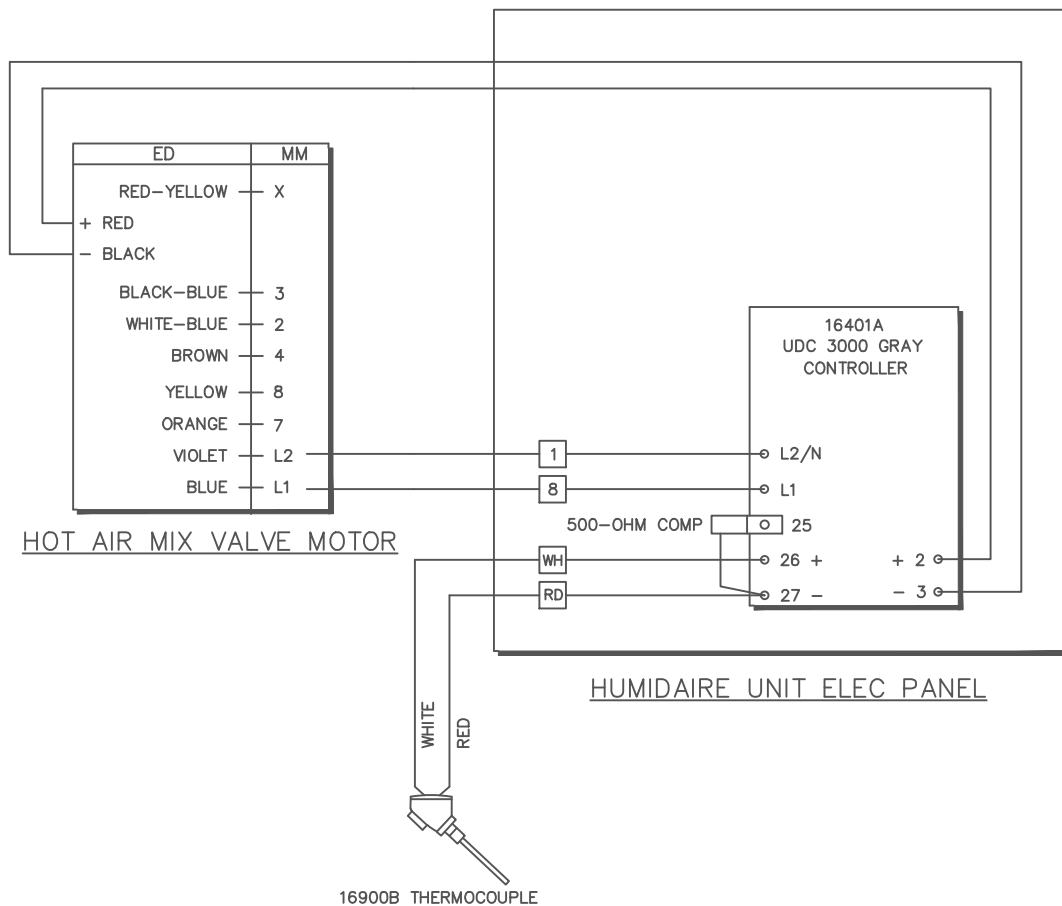
SAMUEL JACKSON, INC.
 ELECTRICAL SCHEMATIC
 WITH PLC OUTPUTS
 HU-60-1255
 GAS-FIRED HUMIDAIRE UNIT

CA12131
 8-99

DECAL NO. 10-20623



SAMUEL JACKSON, INC.
 20500 HUMIDAIRE REMOTE
 WIRING SCHEMATIC
 9-98
 CA12320



LOCATE UDC 3000 CONTROLLER INSIDE UPPER CABINET OF HUMIDAIRE UNIT. USE STAINLESS BRACKET SUPPLIED TO SURFACE MOUNT IT ON PANEL FOR CONTROLS.

LOCATE THERMOCOUPLE IN HOT AIR PIPE DOWNSTREAM OF FAN, IF FAN IS USED. BRAZE ANGLE NIPPLE TO PIPE, THEN USE NIPPLE AS GUIDE TO DRILL 1/2" HOLE INTO HOT AIR PIPE.

FOR THERMOCOUPLE TEMP SENSOR, USE ONLY TYPE "J" THERMOCOUPLE EXTENSION WIRE FURNISHED WITH HOT AIR MIX VALVE. OBSERVE COLOR CODE. RED IS NEGATIVE. RUN T/C WIRES IN SEPARATE CONDUIT FROM A-C WIRES. SEVERAL T/C WIRES MAY BE RUN IN THE SAME CONDUIT.

FOR BLUE UDC 3000 CONTROLLERS SUBSTITUTE 17 FOR 26, 18 FOR 27, AND 1 FOR 3.

SAMUEL JACKSON, INC.

ELECTRICAL CONNECTIONS
HOT AIR MIX VALVE

REF: 1255, 1265

DWN. BY SK

DRAWING NO.

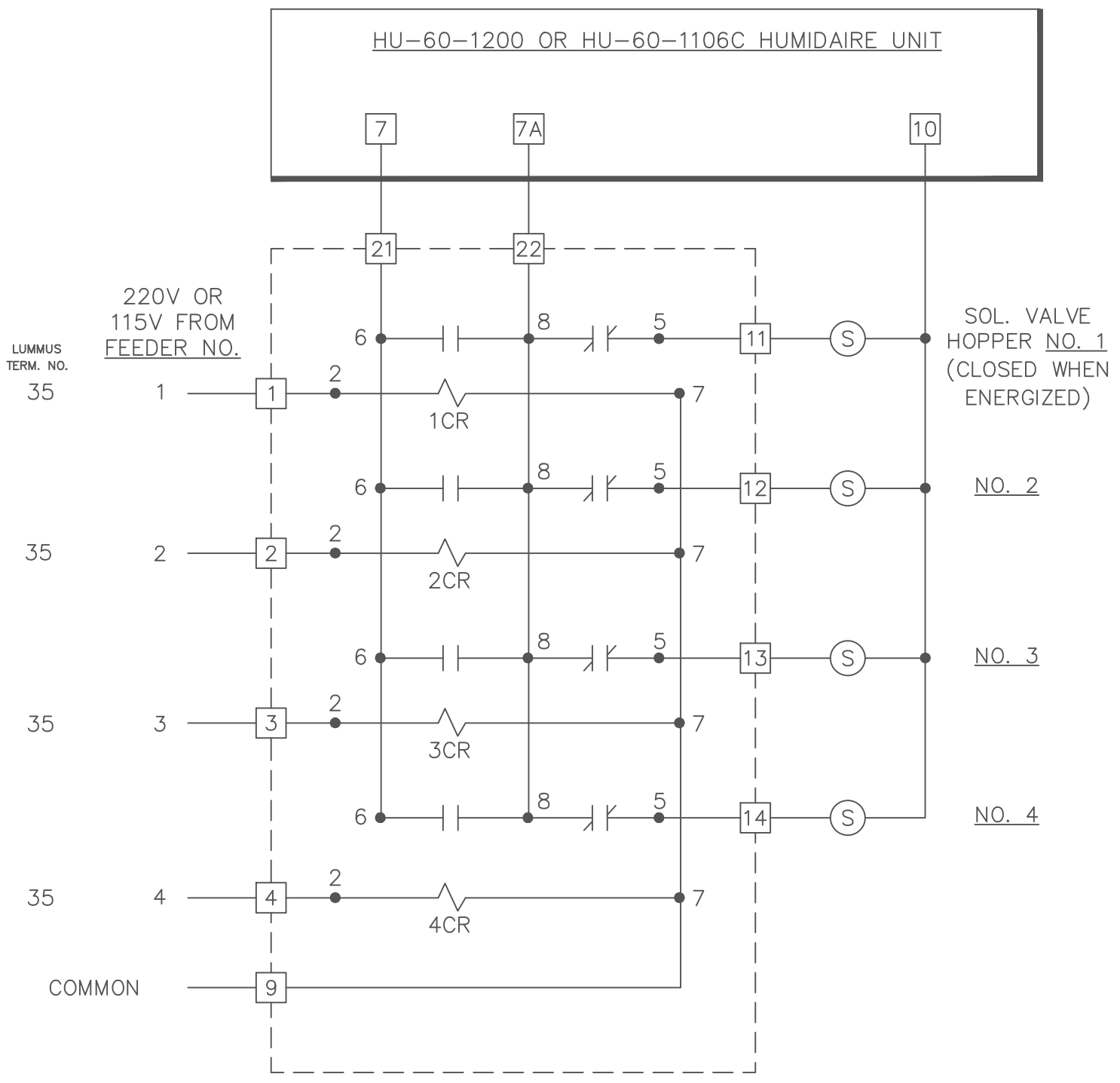
DATE 9-22-98

14-3980

FOR:

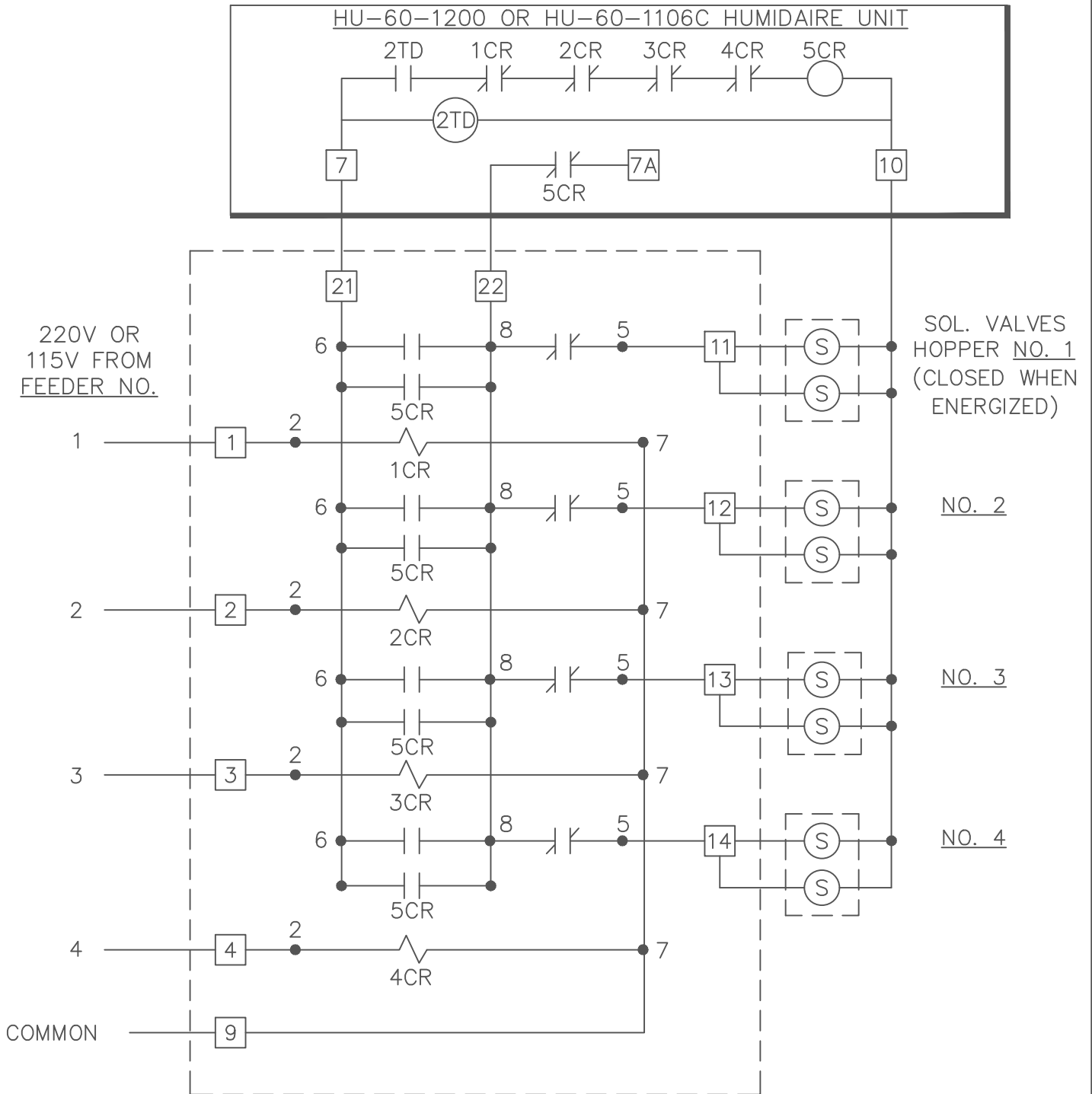
SCALE:

ELECTRICAL SCHEMATIC 13850 RELAY PANEL FOR JACKSON CONDITIONING HOPPERS



4 NO. 13146 RELAYS, KRP 11A 120 VAC.
USE 220V RELAYS FOR LUMMUS EXPORT.
SOLENOID VALVE COILS ARE ALWAYS
120 VAC. THEIR POWER COMES FROM
TERMINAL 7 OF THE HUMIDAIRE UNIT.

ELECTRICAL SCHEMATIC 13850 RELAY PANEL FOR JACKSON CONDITIONING HOPPERS DOUBLE AIR ENTRY



4 NO. 13146 RELAYS, 220 VAC.
SOLENOID VALVE COILS ARE ALWAYS
120 VAC. THEIR POWER COMES FROM
TERMINAL 7 OF THE HUMIDAIRE UNIT.