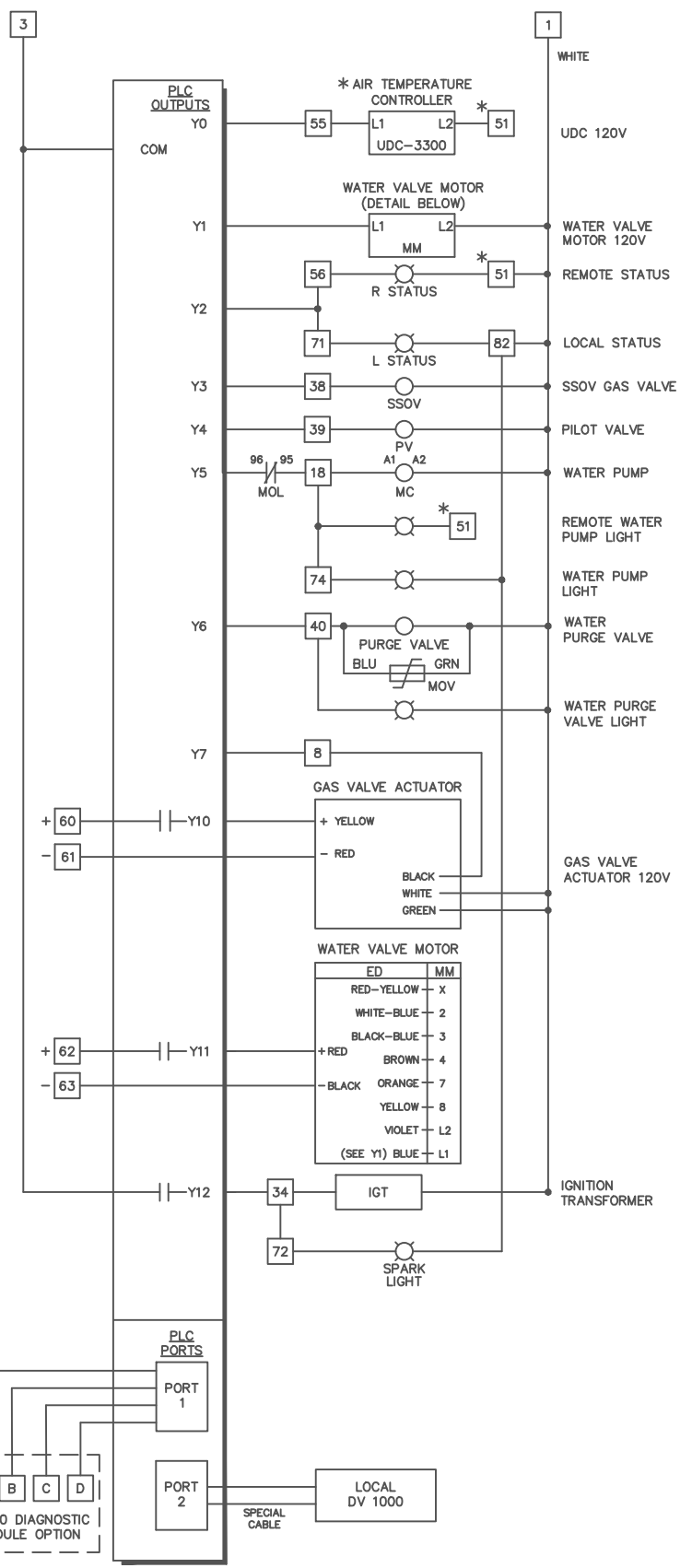
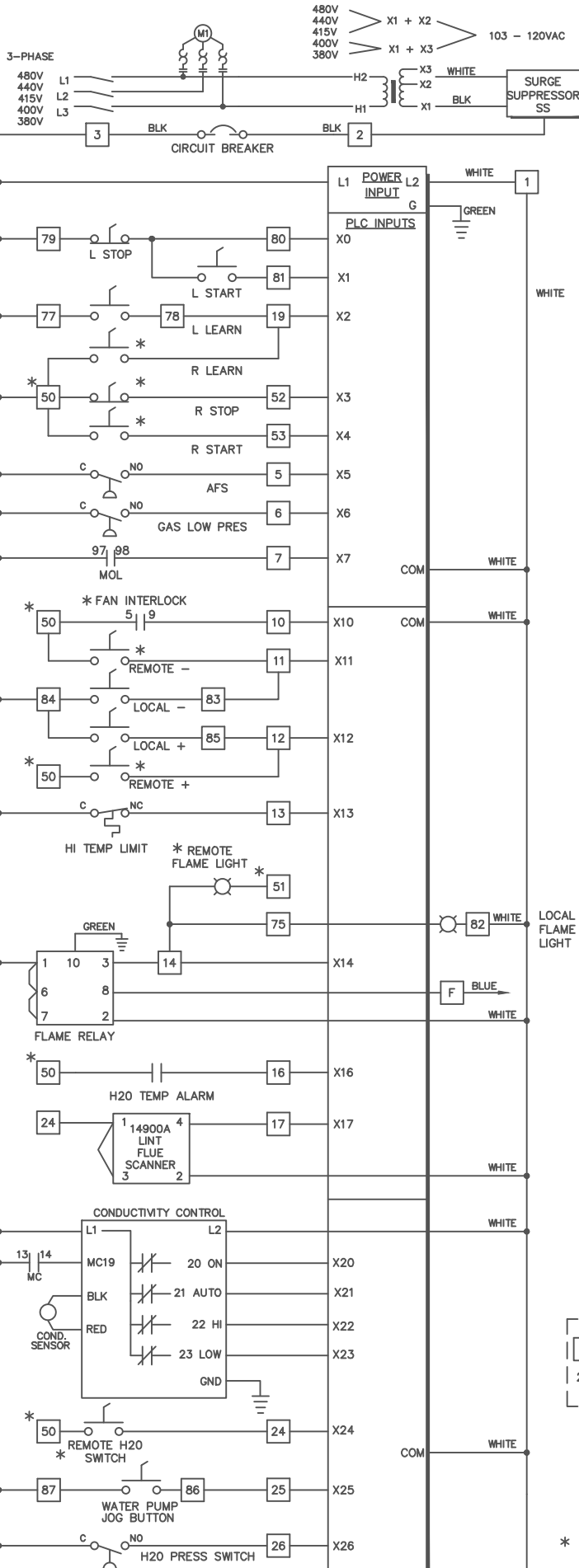


SAMUEL JACKSON, INC.	
EXTERNAL WIRING OF 20050 DIAGNOSTIC MODULE	
1-00	CA12170A



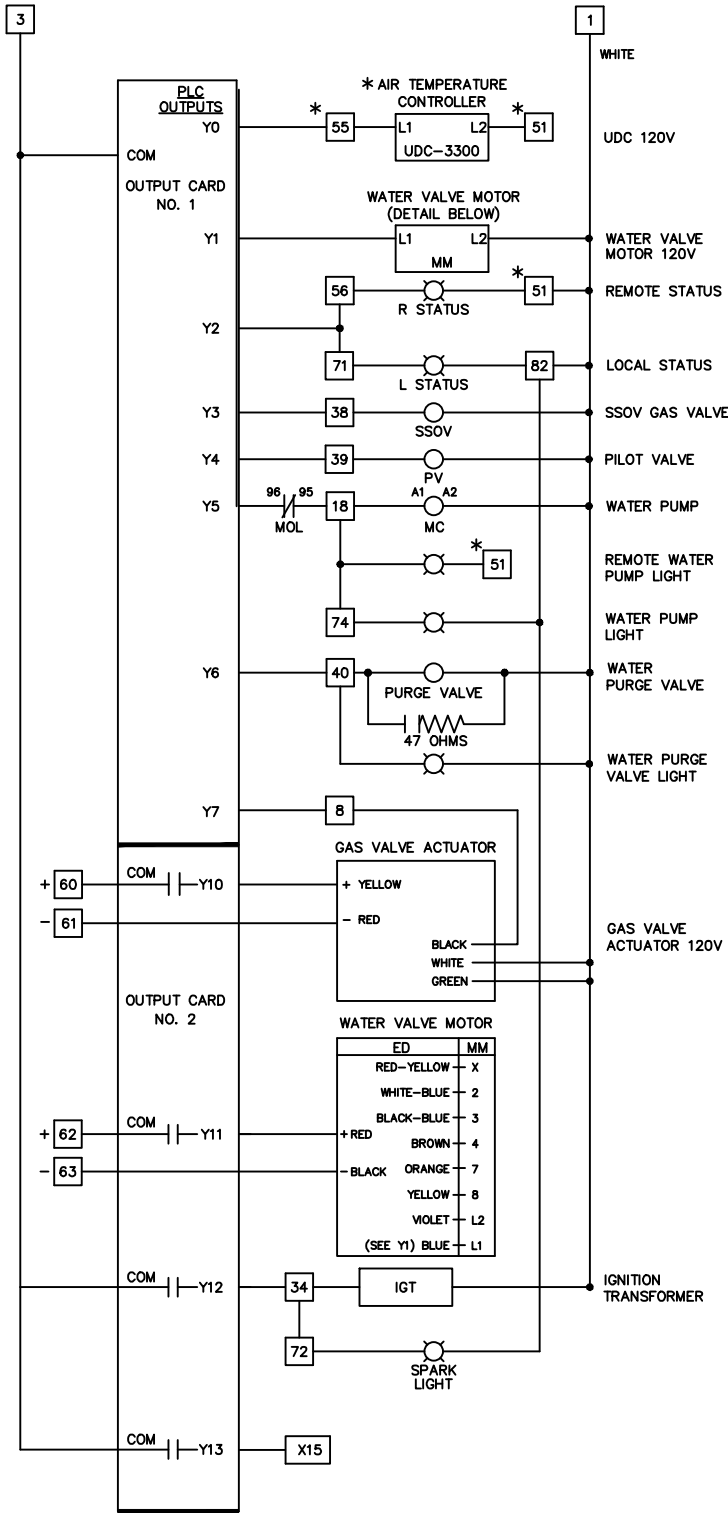
\* ON REMOTE CONTROL

DECAL NO. 10-20260A

**SAMUEL JACKSON, INC.**

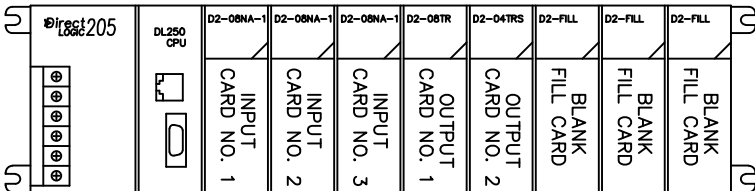
ELECTRICAL SCHEMATIC  
HU-60-1255  
GAS-FIRED HUMIDAIRE UNIT

**CA12130A**  
3-99



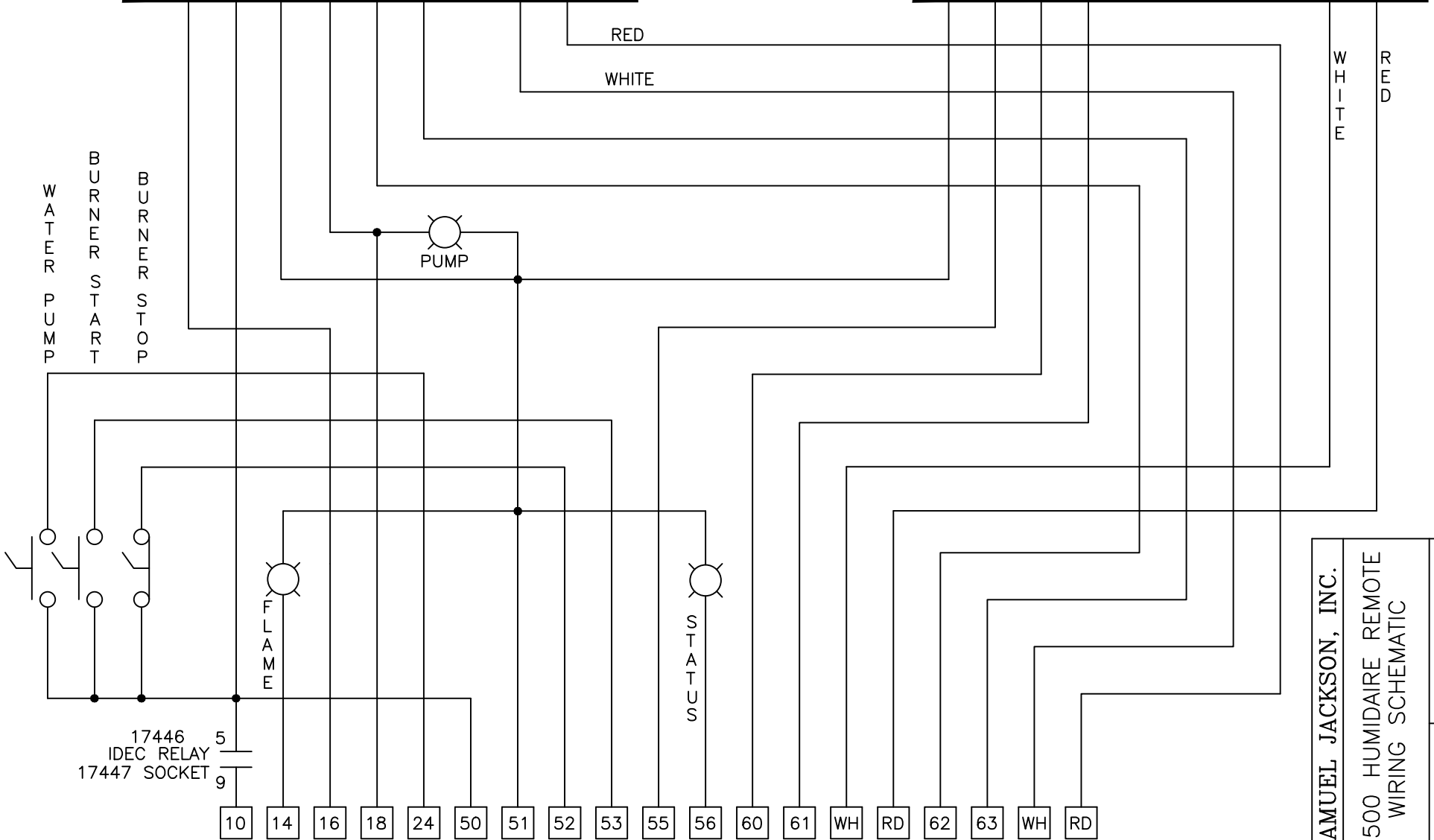
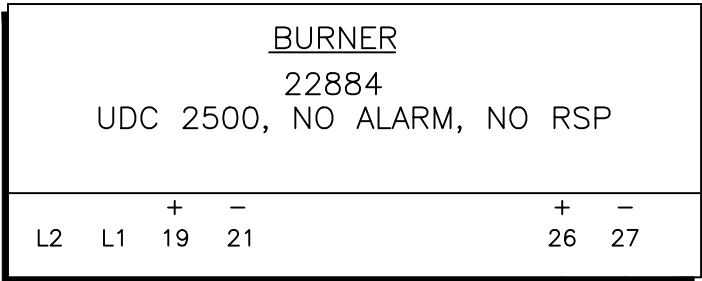
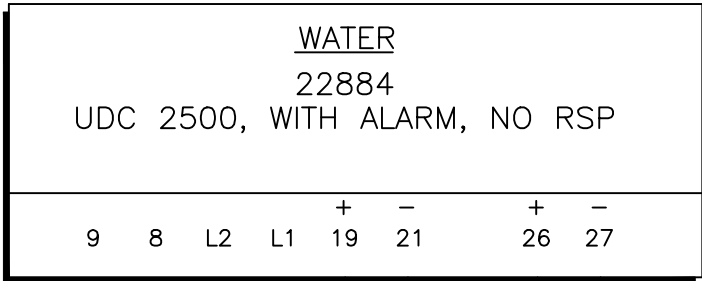
PART NO. 20250 COMPLETE PLC

\* ON REMOTE CONTROL

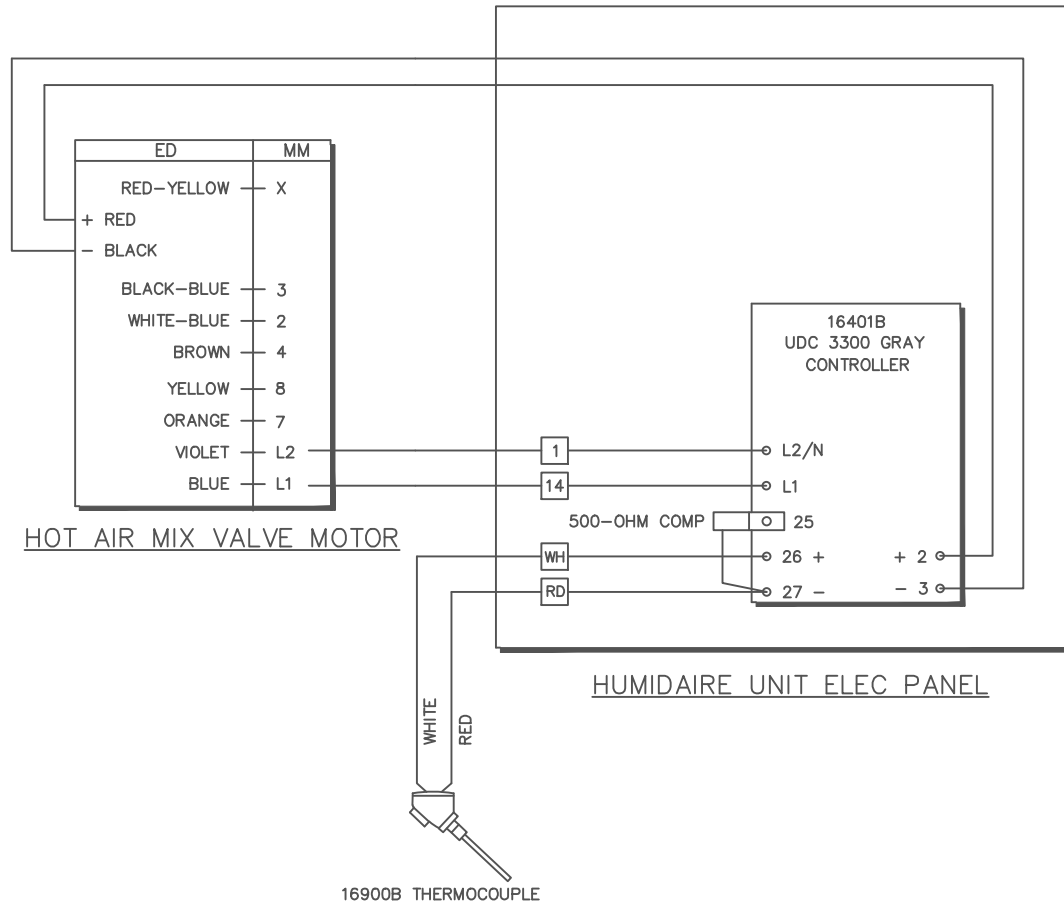


**SAMUEL JACKSON, INC.**  
 ELECTRICAL SCHEMATIC  
 WITH PLC OUTPUTS  
 HU-60-1255  
 GAS-FIRED HUMIDAIRE UNIT

CA12131A  
 8-00



SAMUEL JACKSON, INC.  
 20500 HUMIDAIRE REMOTE  
 WIRING SCHEMATIC  
 8-09  
 CA12320A



LOCATE UDC 3300 CONTROLLER INSIDE UPPER CABINET OF HUMIDAIRE UNIT. USE STAINLESS BRACKET SUPPLIED TO SURFACE MOUNT IT ON PANEL FOR CONTROLS.

LOCATE THERMOCOUPLE IN HOT AIR PIPE DOWNSTREAM OF FAN, IF FAN IS USED. BRAZE ANGLE NIPPLE TO PIPE, THEN USE NIPPLE AS GUIDE TO DRILL 1/2" HOLE INTO HOT AIR PIPE.

FOR THERMOCOUPLE TEMP SENSOR, USE ONLY TYPE "J" THERMOCOUPLE EXTENSION WIRE FURNISHED WITH HOT AIR MIX VALVE. OBSERVE COLOR CODE. RED IS NEGATIVE. RUN T/C WIRES IN SEPARATE CONDUIT FROM A-C WIRES. SEVERAL T/C WIRES MAY BE RUN IN THE SAME CONDUIT.

FOR BLUE UDC 3000 CONTROLLERS SUBSTITUTE 17 FOR 26, 18 FOR 27, AND 1 FOR 3.

<b>SAMUEL JACKSON, INC.</b>	
ELECTRICAL CONNECTIONS HOT AIR MIX VALVE	
REF: 1255, 1265	
DWN. BY SK	DRAWING NO.
DATE 9-22-98	14-3980A

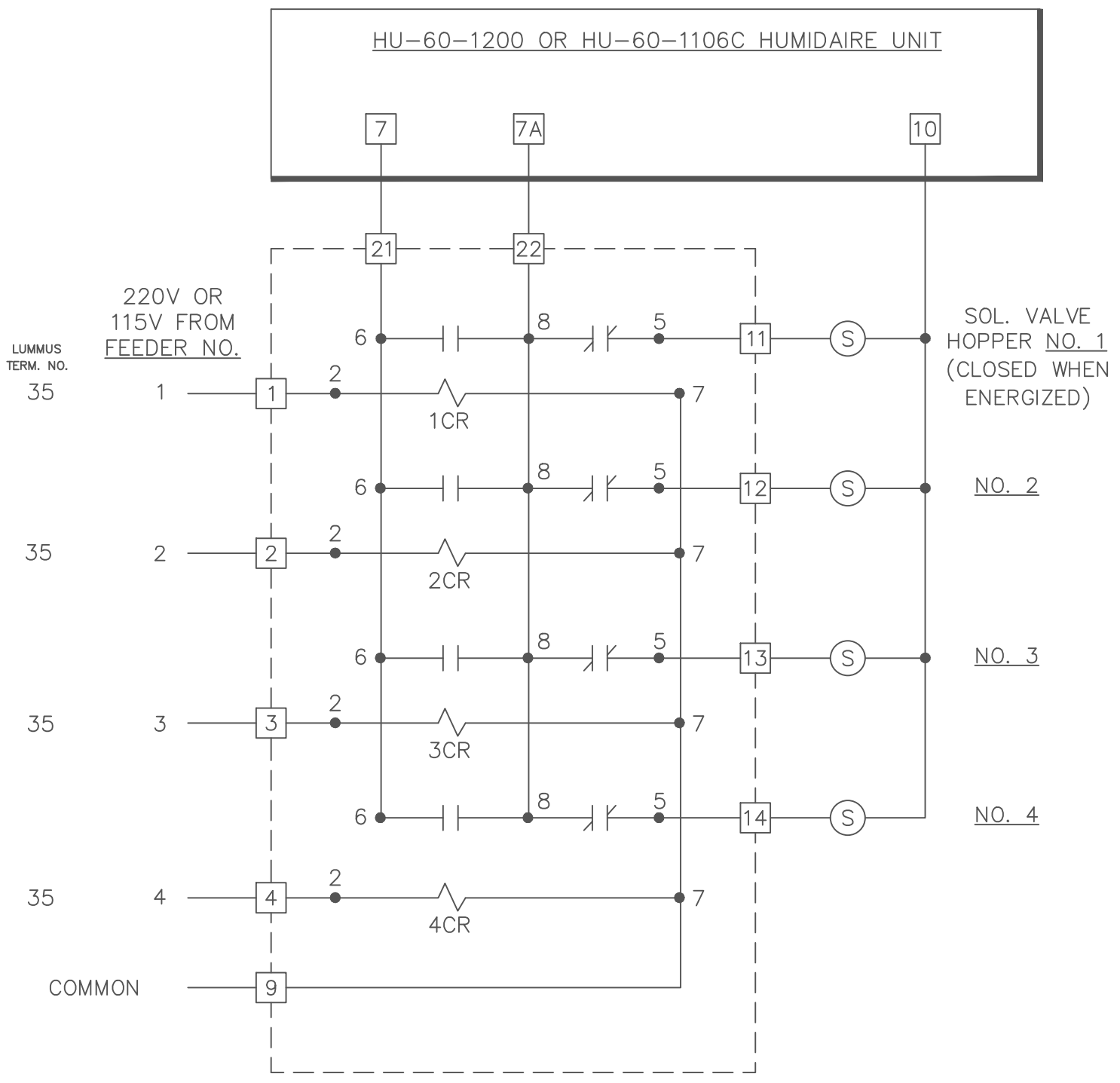
FOR:

SCALE:

# ELECTRICAL SCHEMATIC

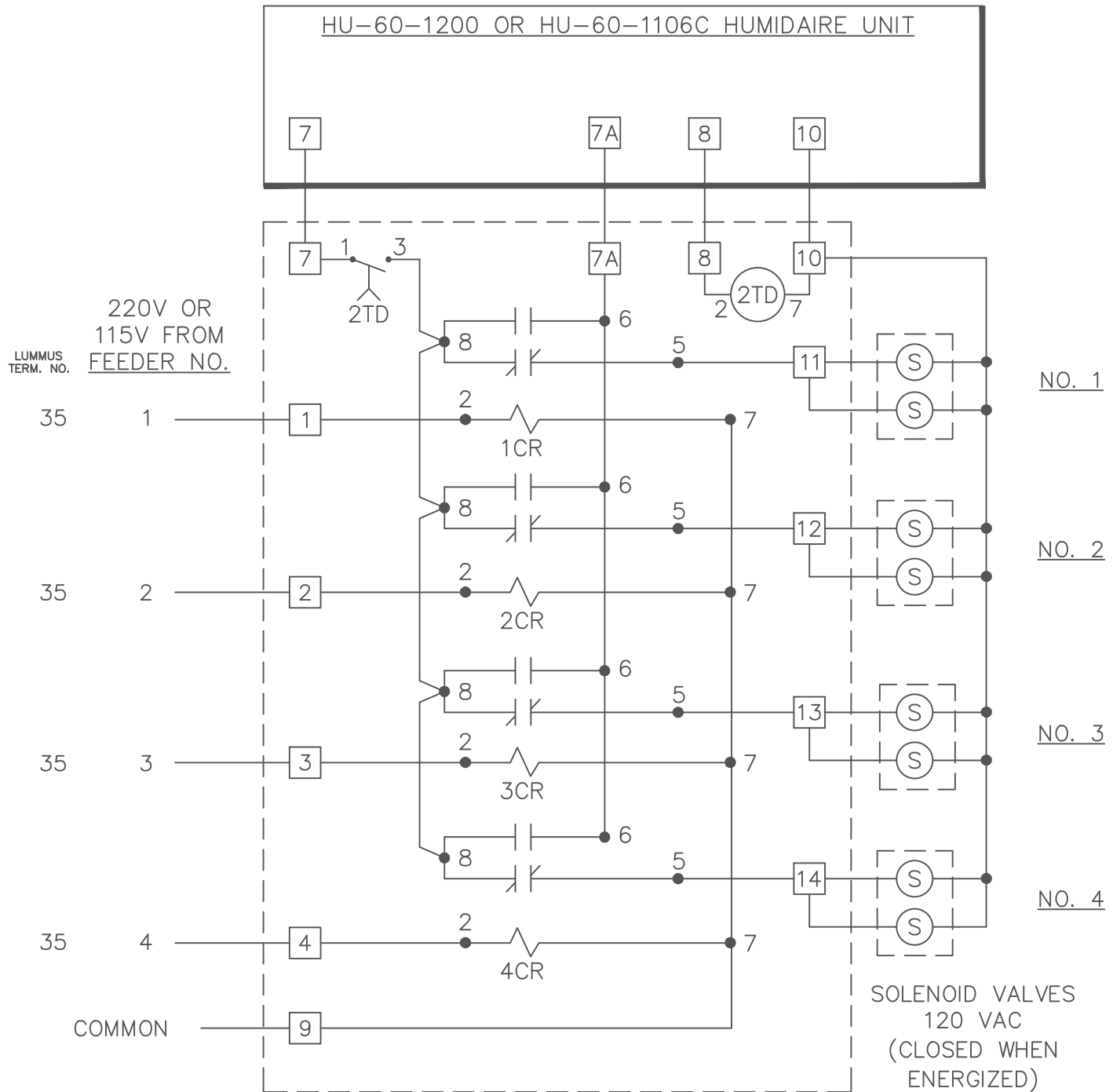
## 13850 RELAY PANEL

### FOR JACKSON CONDITIONING HOPPERS



4 NO. 13146 RELAYS, KRP 11A 120 VAC.  
 USE 220V RELAYS FOR LUMMUS EXPORT.  
 SOLENOID VALVE COILS ARE ALWAYS  
 120 VAC. THEIR POWER COMES FROM  
 TERMINAL 7 OF THE HUMIDAIRE UNIT.

# ELECTRICAL SCHEMATIC 13850 RELAY PANEL FOR JACKSON CONDITIONING HOPPERS DOUBLE AIR ENTRY



13850 RELAY PANEL  
USE 13146 RELAYS, 120 VAC  
OR  
13864 RELAYS, 240 VAC FOR EXPORT.

SOLENOID VALVE COILS ARE ALWAYS 120 VAC. THEIR POWER COMES FROM TERMINAL 7 OF THE HUMIDAIRE UNIT.