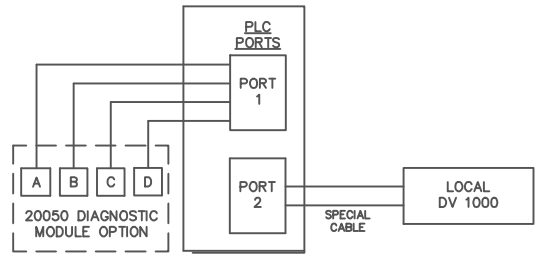
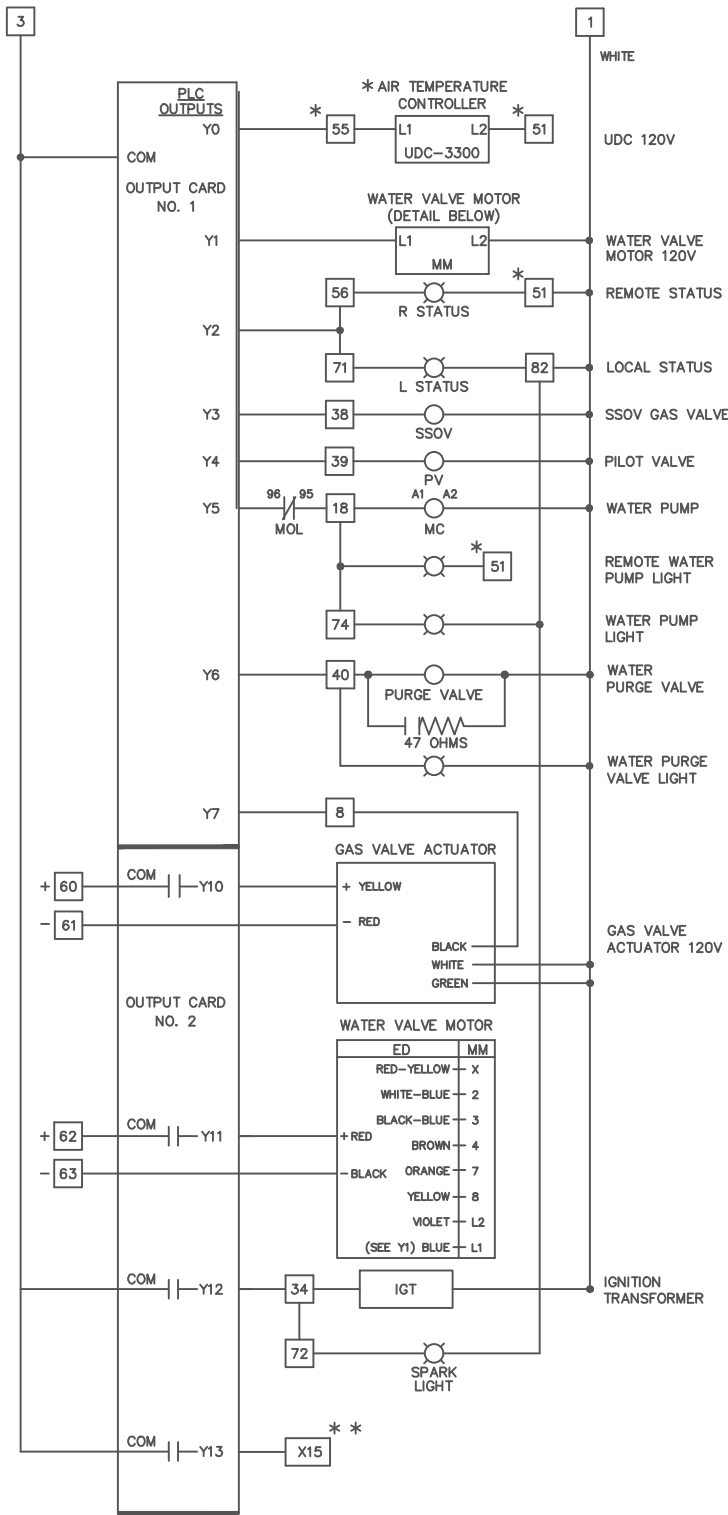
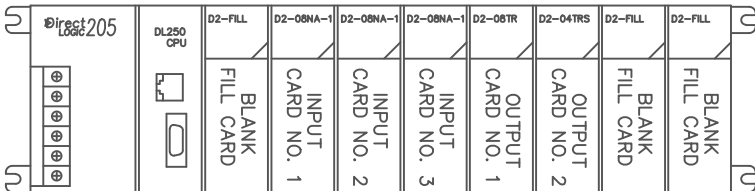


SAMUEL JACKSON, INC.	
EXTERNAL WIRING OF 20050 DIAGNOSTIC MODULE	
1-00	CA12170A



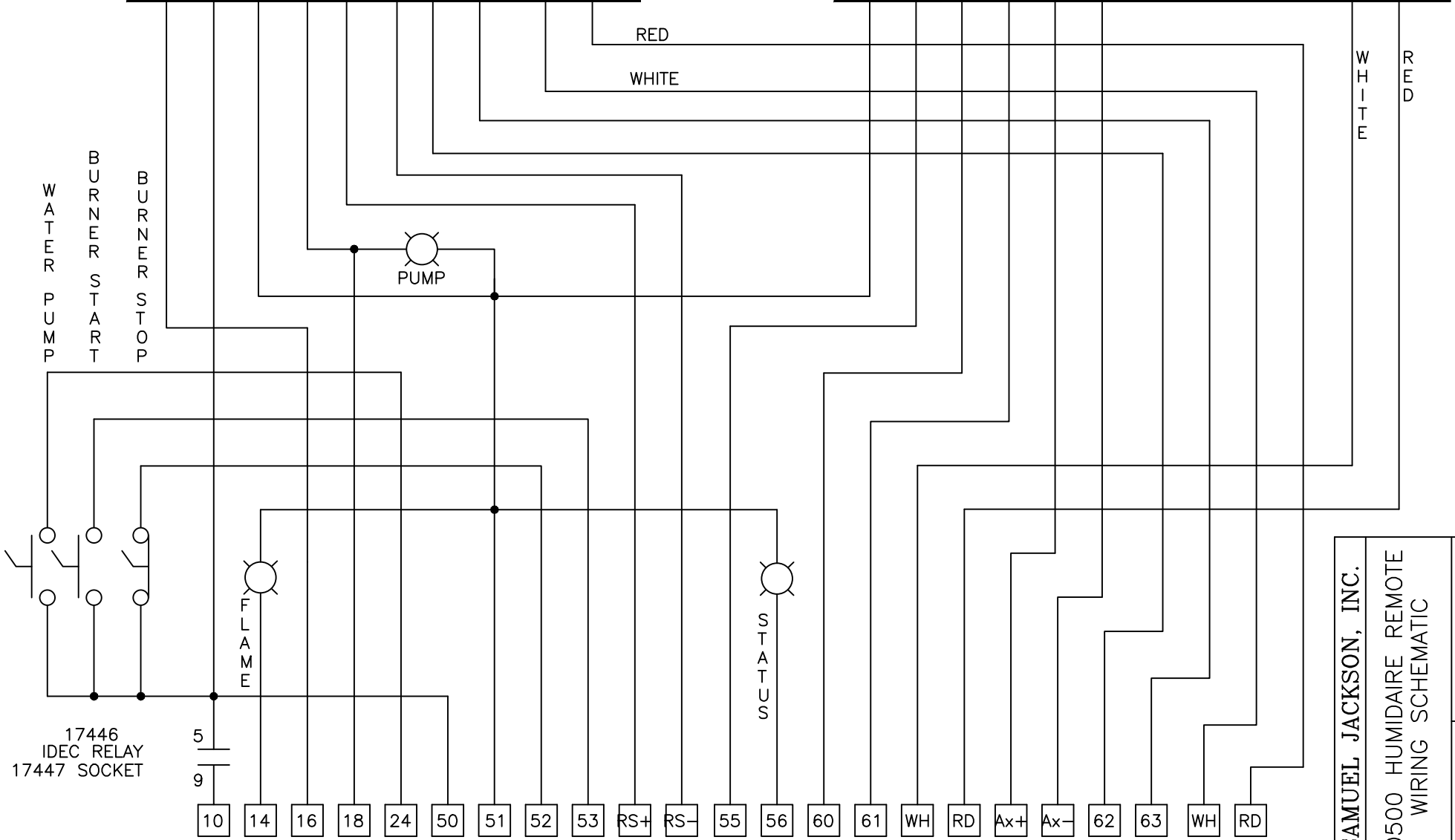
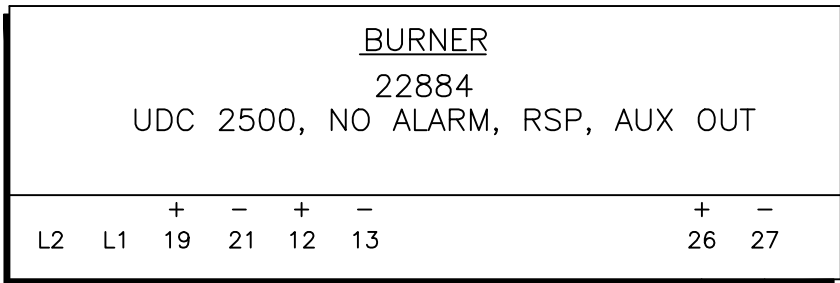
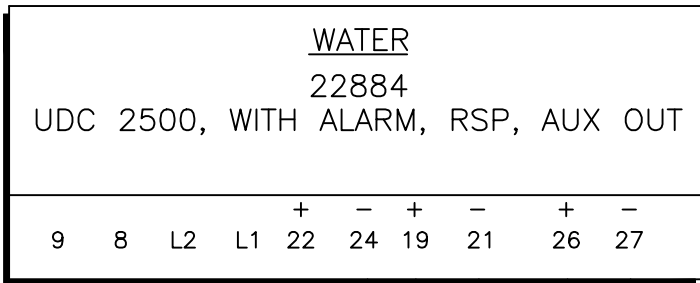
PART NO. 20250 COMPLETE PLC



* ON REMOTE CONTROL
 ** CONNECT Y13 TO X15 FOR MOISTURE WATCH OPTION

SAMUEL JACKSON, INC.
 ELECTRICAL SCHEMATIC
 WITH PLC OUTPUTS
 HU-60-1255
 GAS-FIRED HUMIDAIRE UNIT

CA12131B
 9-01



17446
IDEC RELAY
17447 SOCKET

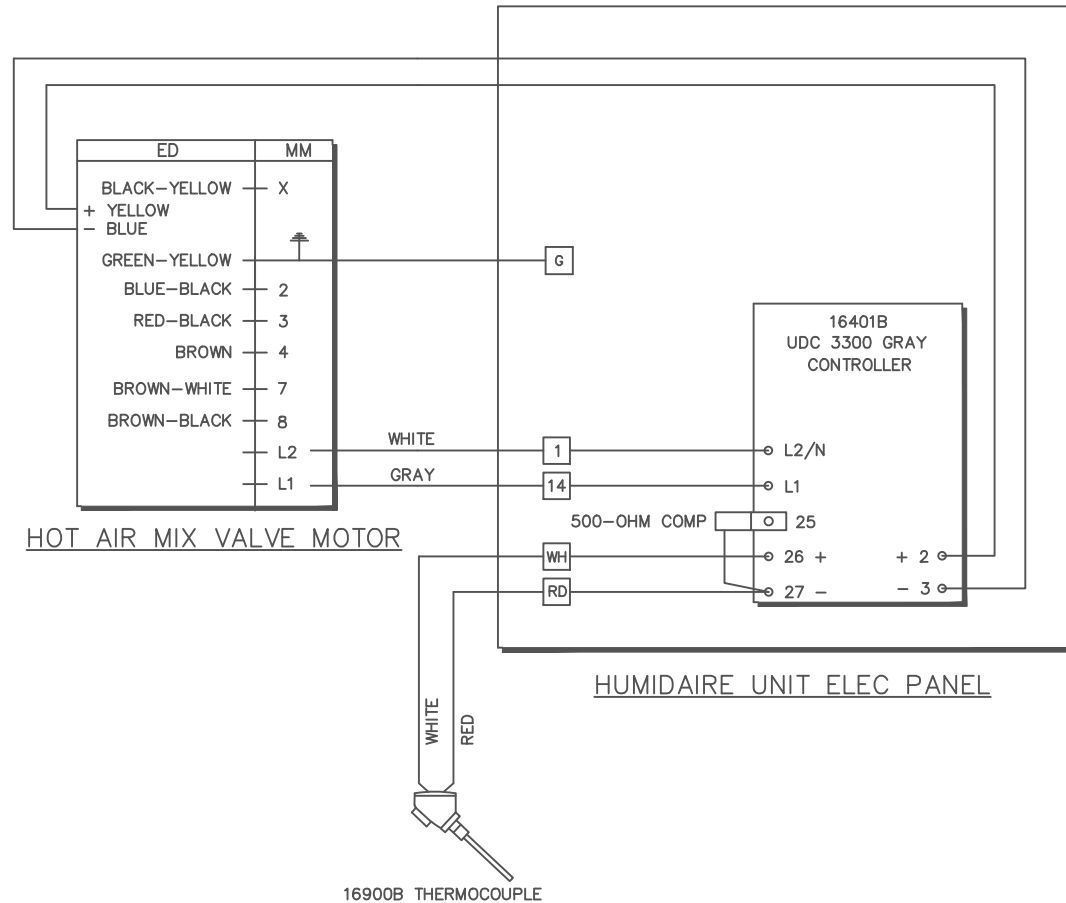


- 10
- 14
- 16
- 18
- 24
- 50
- 51
- 52
- 53
- RS+
- RS-
- 55
- 56
- 60
- 61
- WH
- RD
- Ax+
- Ax-
- 62
- 63
- WH
- RD

SAMUEL JACKSON, INC.
20500 HUMIDAIRE REMOTE
WIRING SCHEMATIC

7-13

CA12320B



LOCATE UDC 3300 CONTROLLER INSIDE UPPER CABINET OF HUMIDAIRE UNIT. USE STAINLESS BRACKET SUPPLIED TO SURFACE MOUNT IT ON PANEL FOR CONTROLS.

LOCATE THERMOCOUPLE IN HOT AIR PIPE DOWNSTREAM OF FAN, IF FAN IS USED. BRAZE ANGLE NIPPLE TO PIPE, THEN USE NIPPLE AS GUIDE TO DRILL 1/2" HOLE INTO HOT AIR PIPE.

FOR THERMOCOUPLE TEMP SENSOR, USE ONLY TYPE "J" THERMOCOUPLE EXTENSION WIRE FURNISHED WITH HOT AIR MIX VALVE. OBSERVE COLOR CODE. RED IS NEGATIVE. RUN T/C WIRES IN SEPARATE CONDUIT FROM A-C WIRES. SEVERAL T/C WIRES MAY BE RUN IN THE SAME CONDUIT.

FOR BLUE UDC 3000 CONTROLLERS SUBSTITUTE 17 FOR 26, 18 FOR 27, AND 1 FOR 3.

SAMUEL JACKSON, INC.	
ELECTRICAL CONNECTIONS HOT AIR MIX VALVE	
REF: 1255, 1265	
DWN. BY BR	DRAWING NO.
DATE 4-9-03	14-3980B

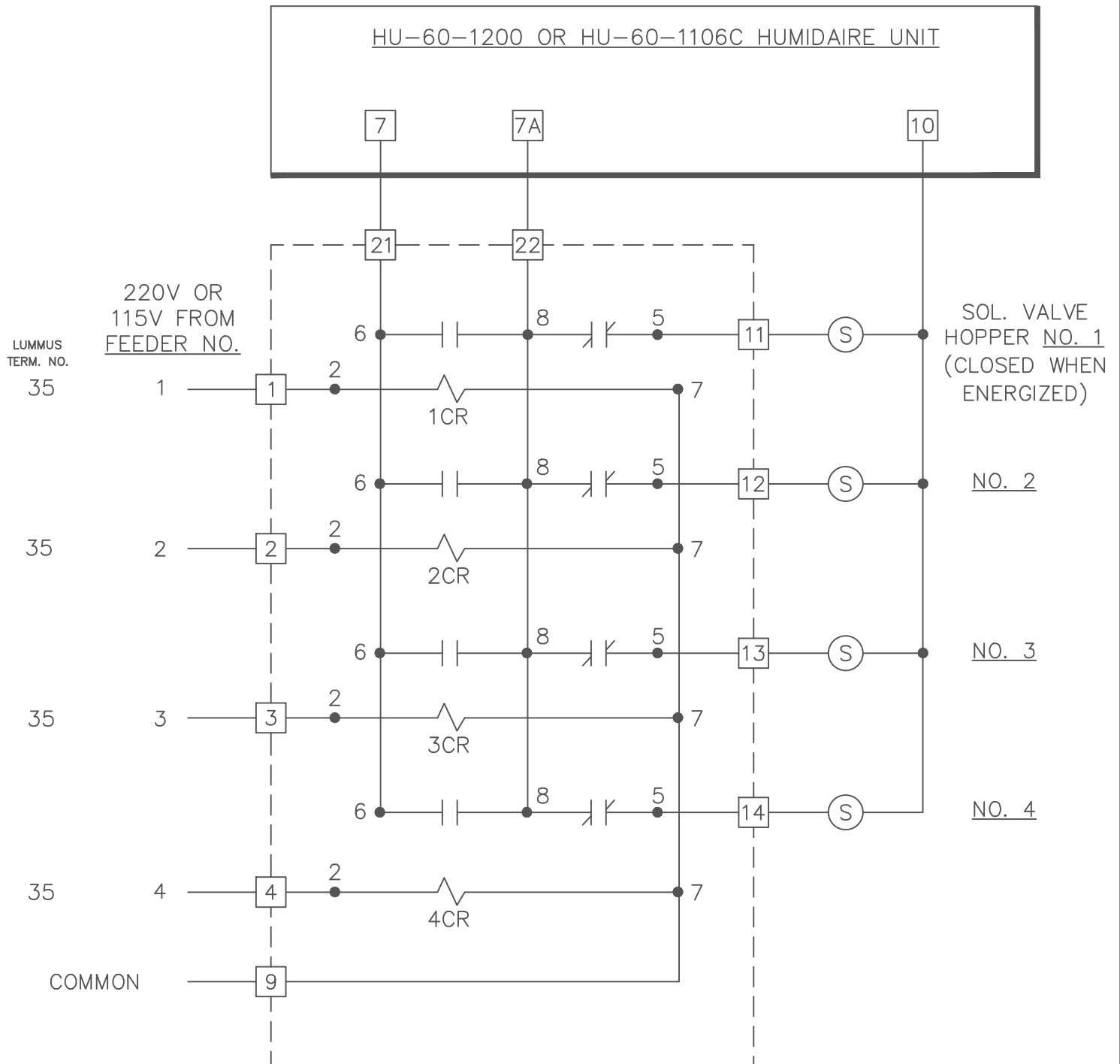
FOR:

SCALE:

ELECTRICAL SCHEMATIC

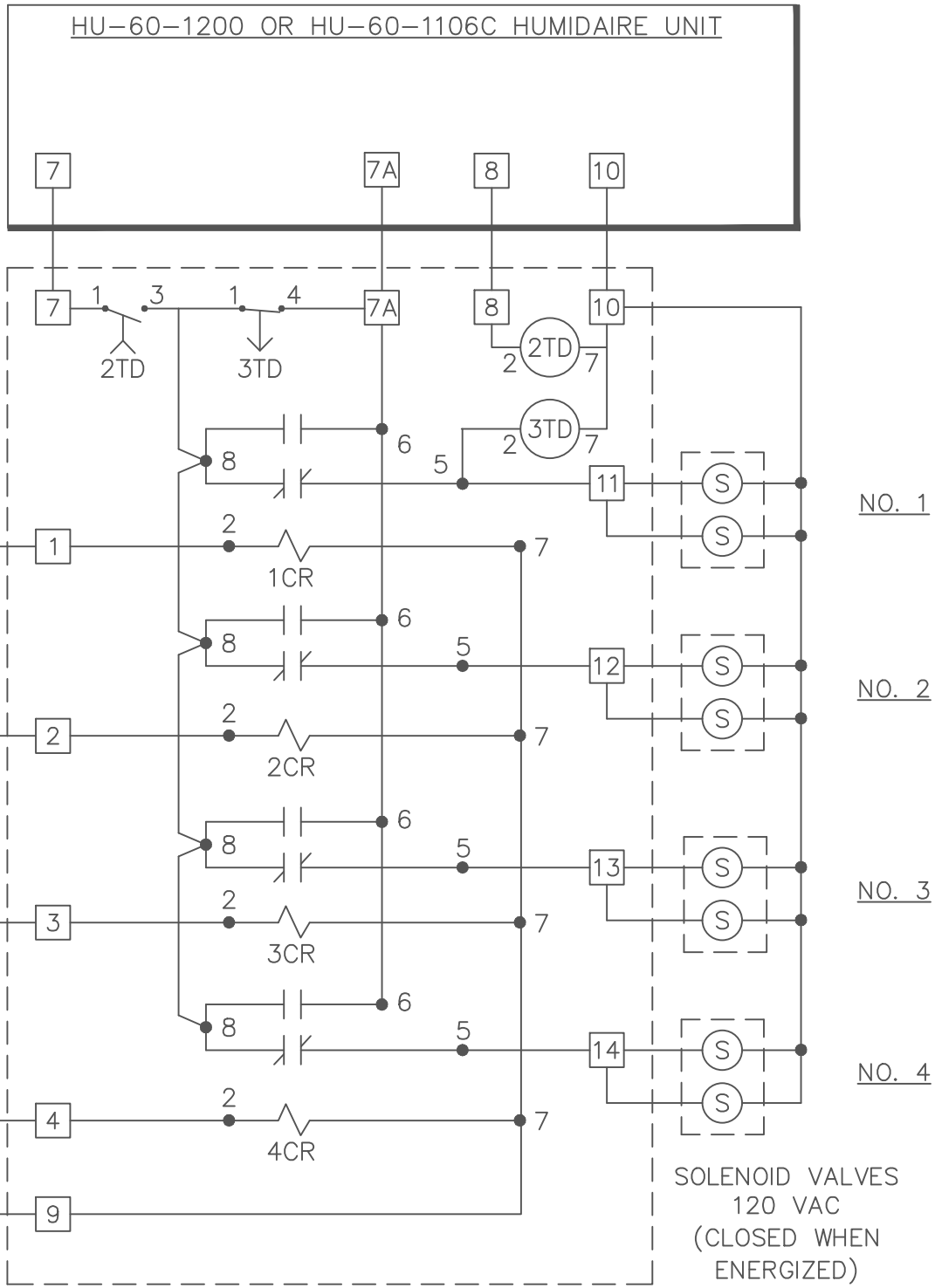
13850 RELAY PANEL

FOR JACKSON CONDITIONING HOPPERS



4 NO. 13146 RELAYS, KRP 11A 120 VAC.
 USE 220V RELAYS FOR LUMMUS EXPORT.
 SOLENOID VALVE COILS ARE ALWAYS
 120 VAC. THEIR POWER COMES FROM
 TERMINAL 7 OF THE HUMIDAIRE UNIT.

ELECTRICAL SCHEMATIC 13850 RELAY PANEL FOR JACKSON CONDITIONING HOPPERS DOUBLE AIR ENTRY



13850 RELAY PANEL
4 NO. 13146 RELAYS, KRP 11A 120 VAC.
USE 220V RELAYS FOR EXPORT.

SOLENOID VALVE COILS ARE ALWAYS
120 VAC. THEIR POWER COMES FROM
TERMINAL 7 OF THE HUMIDAIRE UNIT.