

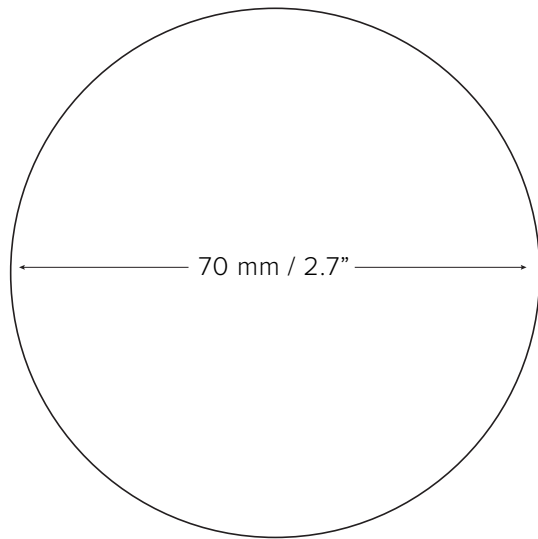


**For Accuracy, please ensure that this file is printed at 100%**

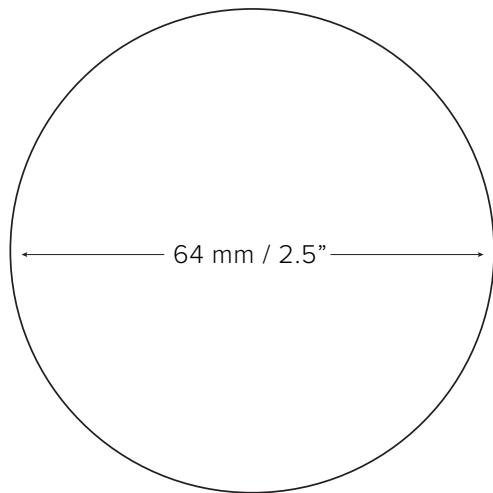
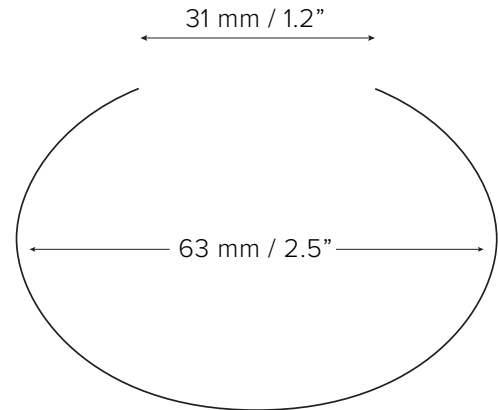
If you have an existing cuff available, it is easy to align the cuff with one of the shapes above. Simply place the existing cuff with the inside edge of the cuff fitting against the matching shape.

**BANGLE**

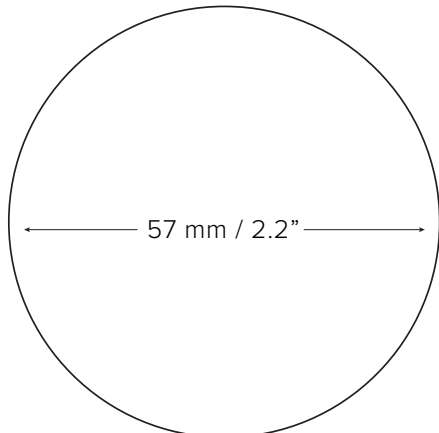
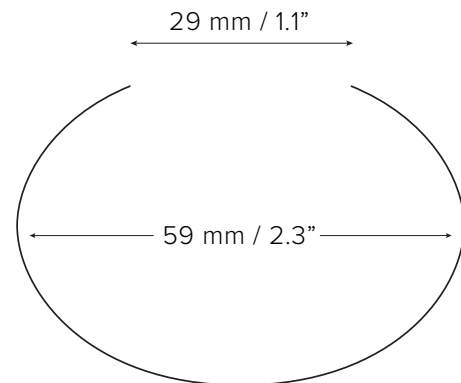
**CUFF**



**LARGE**



**MEDIUM**



**SMALL**

