

goBIN™

Textile Collection System

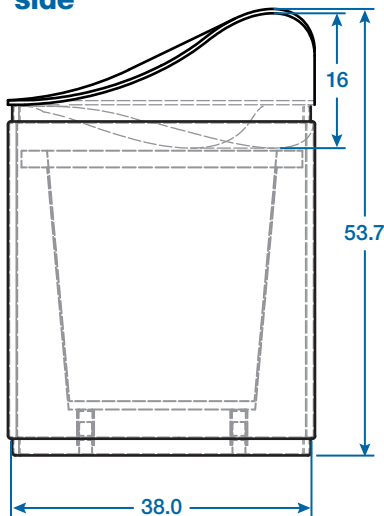
From its original design by frog, the global product strategy and design firm, through precision engineering and manufacturing, the goBIN™ combines a streamlined modern look with heavy-duty materials and hardware designed to stand up to regular use.



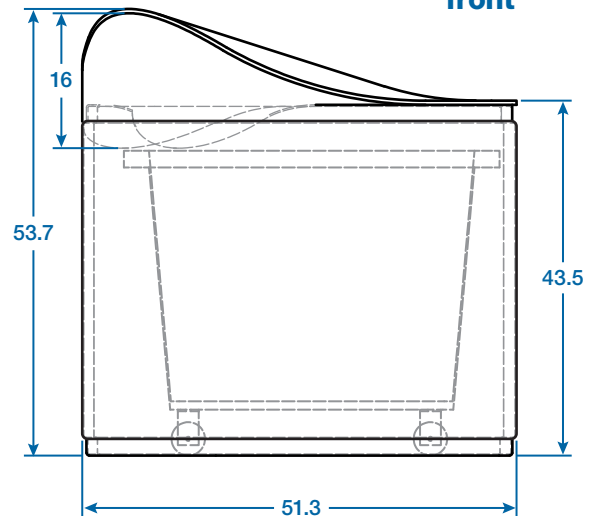
specifications

Dimensions	51" x 38" x 54" (LxWxH)
Material	Recyclable ABS plastic
Hardware	Heavy-duty casters
Mechanism	Industrial hinge
Finish	Smooth finish for decal adhesion

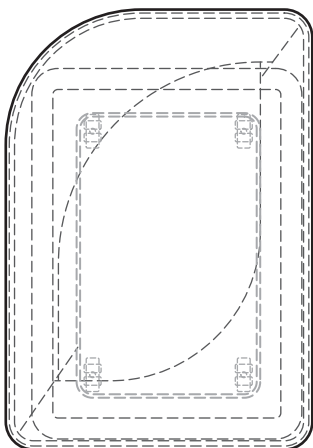
side



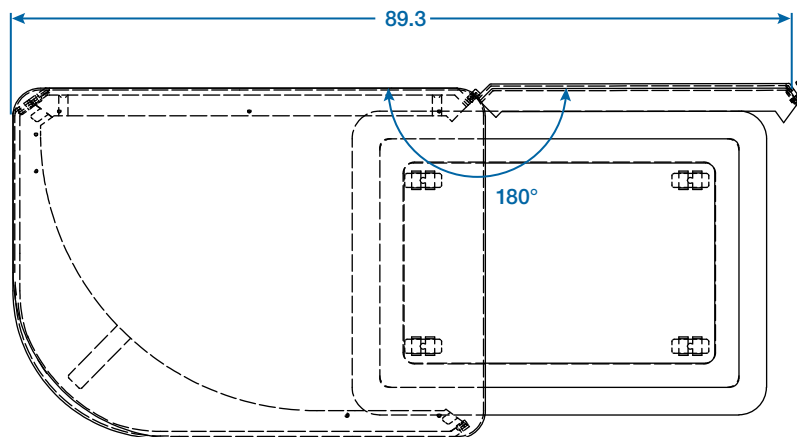
front



bottom



top



goBIN™

Textile Collection System

The goBIN™ is manufactured and shipped from Northern California in easy-to-assemble sections on a standard pallet. The internal poly box rolling cart may be ordered through SFGoodwill and ships separately. All shipping costs will vary depending on customer location. Members of Goodwill International are charged for shipping at cost.



smart sensor technology



The goBIN™ smart sensor is a rugged, wireless battery-operated device designed to remotely measure the fill-level of the goBIN™. The goBIN™ smart sensor can be used as part of a comprehensive donation system to drive operational efficiency and to reduce carbon emissions with optimal route planning.

Dimensions	3½" x 2½" (WxH)
Container Depth Max	9.8"
Temperature Rating	-22°F – 158°F
Battery Life*	Up to 10 years
Recycling	ROHS compatible

*5 years typical. Determined by configuration and environment.

smooth workflow



The goBIN™ is designed to work with a 16 bushel poly box cart that is easily integrated into a donation workflow for swift and efficient collections. A tough, seamless poly box cart is included with each goBIN™Elite.

Dimensions	45" x 33" x 36" (LxWxH)
Weight	52 lbs
Material	Recyclable HDPE
Capacity (volume)	20 ft³ 16 bushel
Capacity (weight)	800 lbs