

INTERNATIONAL FORTRESS TL-30X6

*Six-sided composite protection
plus 2-hour fire protection*

- **Six-sided Composite Protection**

Revolutionary ceramic matrix material with steel layers on six sides resists all forms of attack

- **Boltwork**

Massive 1.5" chrome plated bolts automatically extend with closed door

- **Door and Body**

Inner and outer layers of electrically welded steel combine with composite material for superior burglary protection

- **Locks**

Includes dual Underwriters Laboratories Group 2M combination locks that relock during an attack; optional high security keylocks or electronic combination locks can be added

- **2-Hour Fire Protection**

Independent laboratory tested at temperatures up to 1850°F for a period of 2 hours. Interior temperatures did not exceed 350°F.



RETAIL



FINANCIAL



AMUSEMENT



HOSPITALITY



GAMING



RESTAURANTS

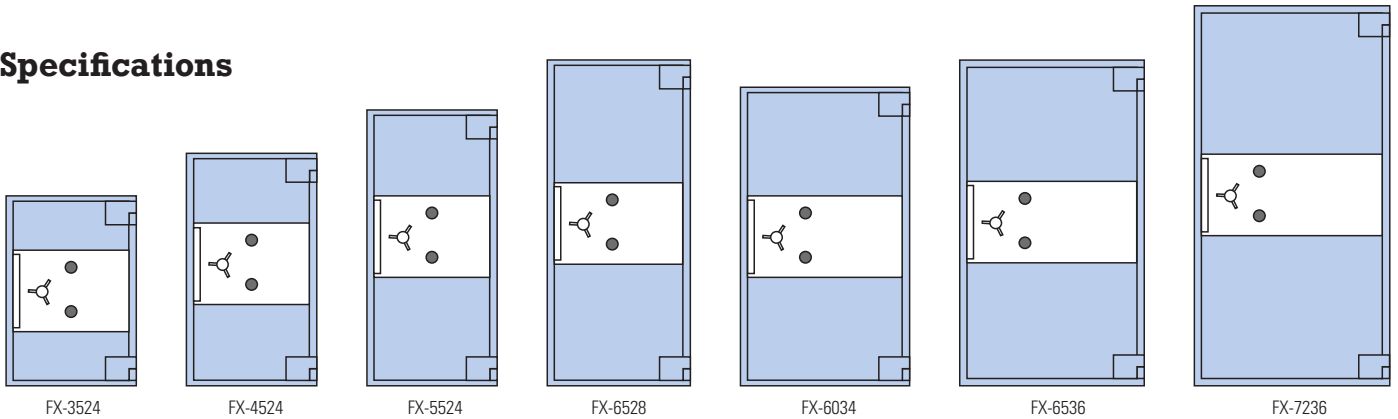


JEWELRY



INTERNATIONAL FORTRESS TL-30X6

Specifications



Model	Interior H x W x D (in)	Exterior H x W x D (in)	Weight (lbs)	Capacity (cu ft)	Shelves
FX-3524	35 x 24 x 20	40 x 29 x 28	1,996	9.7	2
FX-4524	45 x 24 x 20	50 x 29 x 28	2,375	12.5	3
FX-5524	55 x 24 x 20	60 x 29 x 28	2,751	15.3	4
FX-6528	65 x 28 x 20	70 x 33 x 28	3,402	21.1	5
FX-6034*	60 x 34 x 20	65 x 39 x 28	3,554	23.6	5
FX-6536	65 x 36 x 22	70 x 41 x 30	4,097	29.7	5
FX-7236	72 x 36 x 26	77 x 41 x 36	4,750	39	5

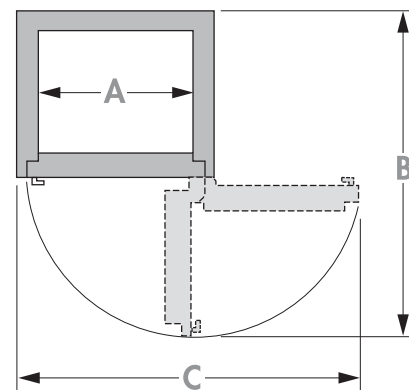
*Special order 8 – 12 weeks. Left hand door swings also available by special order

Door Swing Dimensions

Model	Dimensions (in)		
	A	B	C
FX-3524	24	57 ½	56
FX-4524	24	57 ½	56
FX-5524	24	57 ½	56
FX-6528	28	64½	66
FX-6034*	34	66½	72
FX-6536	36	74½	77
FX-7236	36	74½	77

*Add 2" to depth for hinge & handle projection
Add 4" to height for removable metal transport base

Door Swing Projections

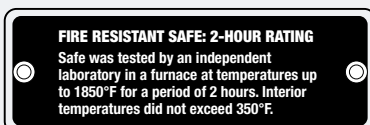


Distributed By:

SOCALSAFE
Since 1915

510 Washington Blvd.
Montebello, CA 90640
(323) 724-5880 Telephone
(800) 334-6060 Toll Free
(323) 727-0236 Fax
www.socalsafe.com

Learn More at:
www.socalsafe.com
or call your
Socal Safe
Security Expert
Toll-Free
800-334-6060



All specifications are approximate and subject to change without notice.