

INTERNATIONAL FORTRESS TL-30

Achieves the highest degree of burglary protection in its class



- **Six-sided Composite Protection**

Revolutionary new composite material on six sides resists all forms of attack

- **Boltwork**

Massive 1.5" chrome plated bolts automatically extend with closed door

- **Door and Body**

Inner and outer layers of electrically welded steel combines with composite material and ceramic matrix for superior protection

- **Locks**

Includes dual Underwriters Laboratories Group 2M combination locks; optional high security keylocks or electronic combination locks can be added

- **2-Hour Fire Protection**

Independent laboratory tested at temperatures up to 1850°F for a period of 2 hours. Interior temperatures did not exceed 350°F.

RETAIL



FINANCIAL



AMUSEMENT



HOSPITALITY



GAMING



RESTAURANTS



JEWELRY

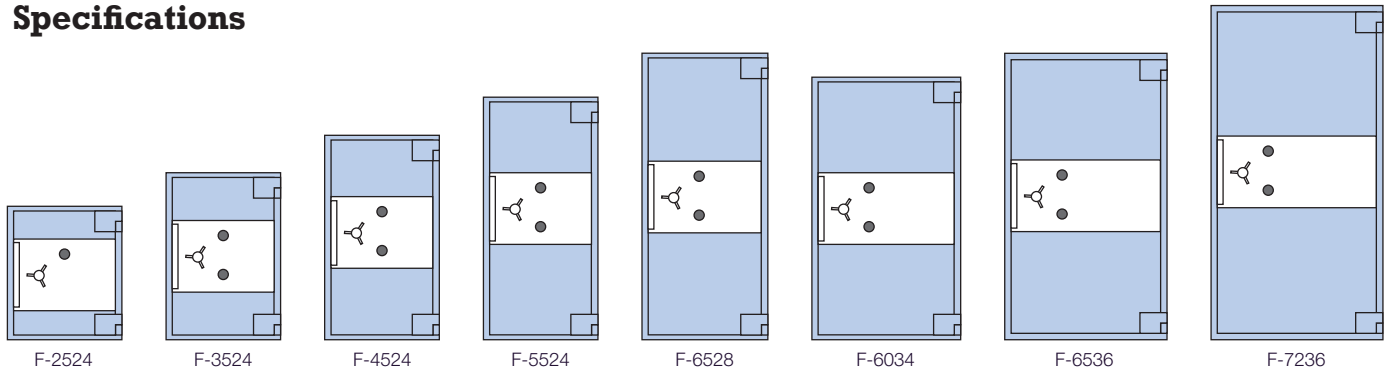


CANNABIS



INTERNATIONAL FORTRESS TL-30

Specifications

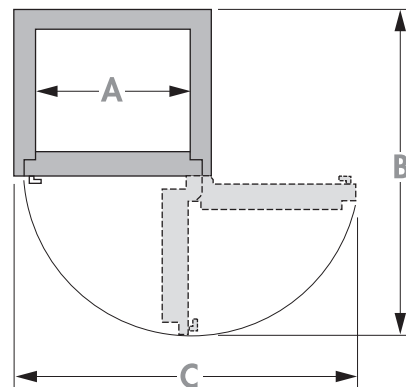


Model	Interior H x W x D (in)	Exterior H x W x D (in)	Weight (lbs)	Capacity (cu ft)	Shelves
F-2524	25 x 24 x 20	29 x 29 x 29	1,050	6.9	1
F-3524	35 x 24 x 20	39 x 29 x 29	1,380	9.7	2
F-4524	45 x 24 x 20	49 x 29 x 29	1,616	12.5	3
F-5524	55 x 24 x 20	59 x 29 x 29	1,889	15.3	4
F-6528	65 x 28 x 20	69 x 32 x 29	2,355	21.1	5
F-6034	60 x 34 x 20	64 x 38 x 29	2,615	23.6	5
F-6536	65 x 36 x 22	69 x 40 x 30	2,885	29.7	5
F-7236	72 x 36 x 26	76 x 40 x 35	3,358	39	5

Door Swing Dimensions

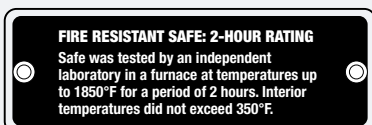
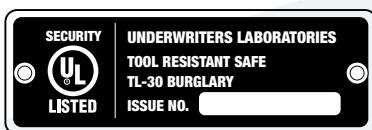
Model	Dimensions (in)		
	A	B	C
F-2524	24	57½	56
F-3524	24	57½	56
F-4524	24	57½	56
F-5524	24	57½	56
F-6528	28	64½	66
F-6034	34	66½	72
F-6536	36	74½	77
F-7236	36	74½	77

Door Swing Projections



Learn More at:
www.socalsafe.com
 or call your
 Socal Safe
 Security Expert
 Toll-Free
800-334-6060

Left hand door swings also available by special order
 Add 2" to depth for hinge & handle projection
 Add 4" to height for removable metal transport base



Distributed By:



510 Washington Blvd.
 Montebello, CA 90640
 (323) 724-5880 Telephone
 (800) 334-6060 Toll Free
 (323) 727-0236 Fax
www.socalsafe.com

Protecting the priceless for over 100 years

- BANK EQUIPMENT
- CASH AUTOMATION
- COMMERCIAL SAFES
- DEPOSITORY SAFES
- GUN SAFES
- HIGH SECURITY SAFES
- INTERACTIVE KIOSKS
- LOCKS & ACCESSORIES
- PAWN SAFES
- RESIDENTIAL SAFES
- SAFE DEPOSIT BOXES
- TELLER LOCKERS
- UTILITY CHESTS
- VAULTS & VAULT DOORS
- NATIONWIDE SERVICE & SUPPORT

All specifications are approximate and subject to change without notice.