



A division of Terry Young Ltd, New Zealand

INSTALLATION INSTRUCTIONS for

HOBSON FREESTANDING WOODBURNER AUSTRALIA - AUGUST 2014

**TESTED in compliance with AS/NZS 2918: 2001
HARDWOOD TEST No. 30A-12-0038-TRP-254693-1**

- A.** Yunca recommends that competent trades persons carry out all installations (e.g. AHHA Registered Installer), to obtain maximum performance and safe, efficient heating.
- B.** A permit is required and we suggest you check with local building inspectors as by-laws do vary from area to area.
Also notify your Insurance Company that a solid fuel heater has been installed.
- C.** Floor Protector –
1. Must extend a minimum of 300mm in front of the door aperture.
 2. Must extend at least 100mm from each side panel of the heater.
 3. Ash Floor Protector must be constructed of non-combustible materials.
- D.** Seismic restraint – Heater must be restrained from seismic movement as required by AS/NZS 2918:2001. 10mm diameter bolting holes in the feet of the HOBSON allow restraint.
- E.** Manufacturers' recommended tested minimum clearances from combustible walls:

Tested to AS/NZS 2918 : 2012 by VIPAC ENGINEERS & SCIENTISTS	Clearance
Rear Clearance (with YUNCA flue mounted shield fitted)	150 mm
Side Clearance (with YUNCA flue mounted shield fitted)	330 mm
Corner Clearance (with YUNCA flue mounted shield fitted)	90mm

Tested to AS/NZS 2918 : 2012 by VIPAC ENGINEERS & SCIENTISTS	Clearance
Rear Clearance (with AUSTRALIAN flue mounted shield fitted – The Flue Factory)	200 mm
Side Clearance (with AUSTRALIAN flue mounted shield fitted – The Flue Factory)	330 mm
Corner Clearance (with AUSTRALIAN flue mounted shield fitted – The Flue Factory)	140 mm

F. Standard 150mm Flue Kit (Tested to AS/NZS 2918:2001 Appendix F): FIG A, B & E

1. 4.2m x 150mm stainless steel flue
2. 2.4m x 250mm galvanised liner.
3. Ceiling Plate.
3. 1 x insulation boundary shield.
4. 2 x spider brackets.
6. 1 x weather cap & cowl.

Please Note: All flue joints must be sealed with flue sealing compound. Use stainless steel screws or rivets to join the flue pipe (three equally spaced places at each joint). The first length of flue must be fixed to the flue spigot with at least one stainless steel screw or rivet. The required minimum flue termination height is 4.6 m above the floor protector.

G. HOBSON Yunca Flue Mounted Shield (Flue Guard) Kit.

Complies (with heater) to AS/NZS 2918:2001): Refer FIG A

- 1 x 1200mm length lined back guard.
- 1 x 1200mm length perforated front guard
- 1 x 1200mm length tertiary back guard with spacer tabs.
- 1 x Top front deflector shield (half round shape, this is angled 30 degrees when installed).

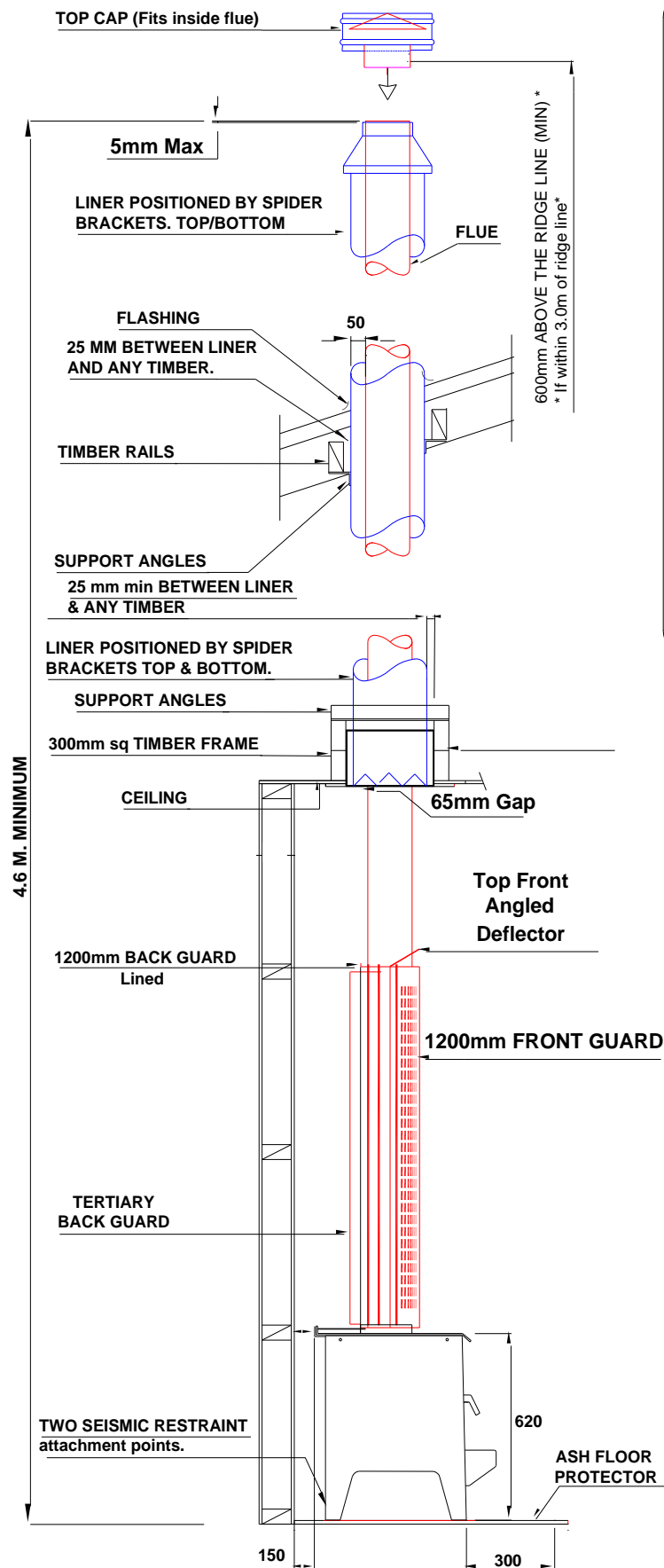
H. AUSTRALIAN (Flue Factory Flue Mounted Shield (Flue Guard) Kit.

Standard Triple lined flue guard kit.

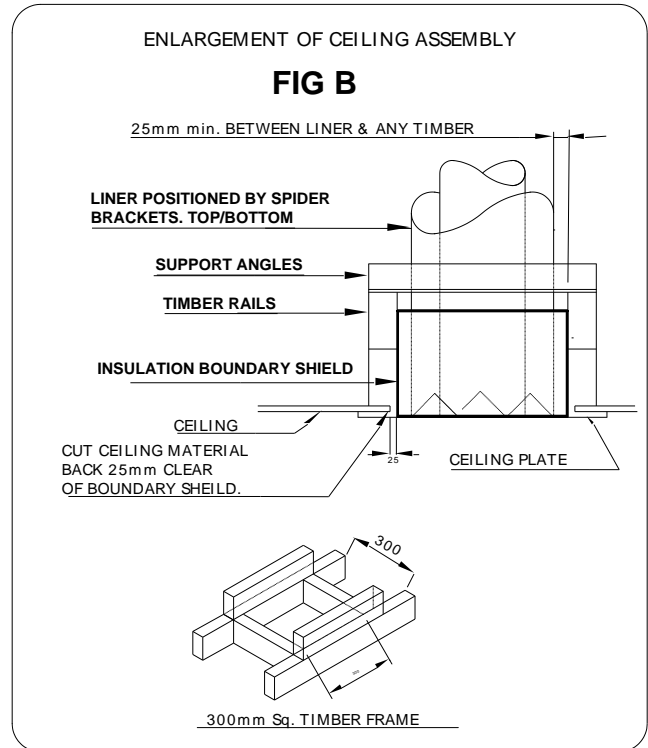
Please Note: The minimum Flue Mounted Shield height is 1200mm.

HOBSON – TYPICAL INSTALLATION (Drawings not to scale)

FIG A (below, left): HOBSON (Sub 1.0) Flue Mounted Shield (Flue Guard) Kit. Complies (with heater) to AS/NZS 2918:2001



Note: All Dimensions are in millimetres.



CONDITIONS FOR FLUES (Refer Fig. E)

1. The FLUE shall extend to:
 - Not less than 600mm above the highest point on the roof if within 3.0m of that point, or
 - Not less than 1000mm above the intersection point with the roof and not lower than any point of the roof within 3.0m.

In any case the length of the flue shall not be less than 4.6m from the ash floor protector.

In some situations the Local Council may vary the above requirements.
2. The flue system must be tested and comply with AS/NZS2918:2001, Appendix F.
3. The insulation boundary shield shall be capable of preventing accidental migration of loose-fill or any combustible material by any action of wind or by persons moving in the ceiling space.

These instructions, as well as spare parts information, operation and maintenance guides may be downloaded from : www.yunca.co.nz

FIG C: HEATER DIMENSIONS – HOBSON (Drawings on this page not to scale)

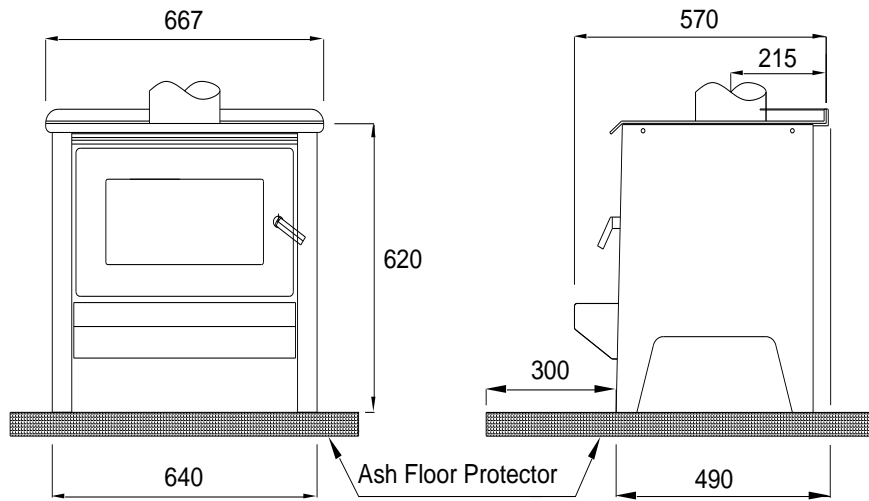
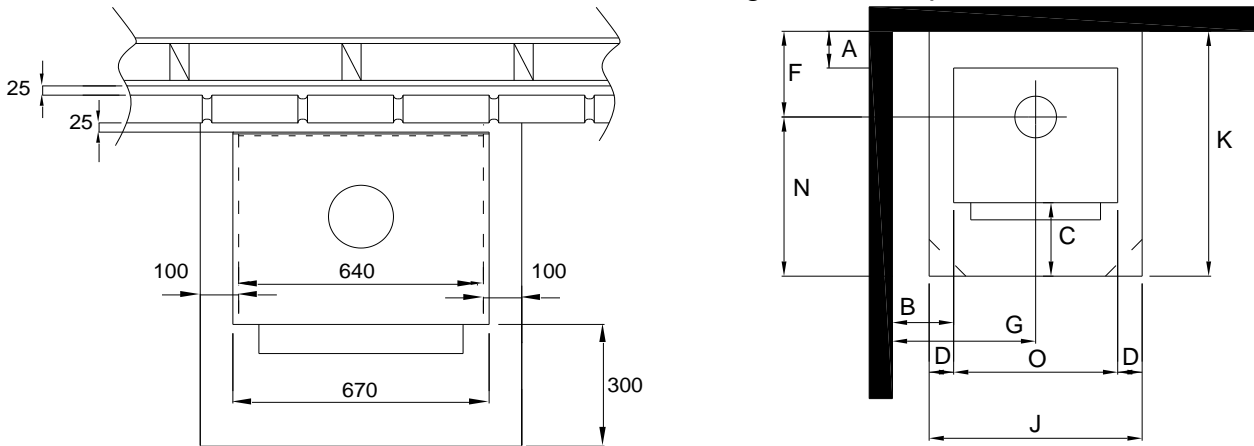


FIG D: HEATER POSITION:-

N.B. The “B” and “D” measurements on the Hobson are taken from the heater sides.
 “O” measurement is the width of the heater, excluding the cook top surface.



Above: Non combustible wall clearances. Brick lining from floor to within 25mm of ceiling. Leave air vents at the bottom to allow airflow in the cavity. If Yunca flue mounted shield is fitted, brickwork may be 1200mm high as long as all vertical joints in top and bottom of brickwork are left out to allow airflow when brickwork is capped.

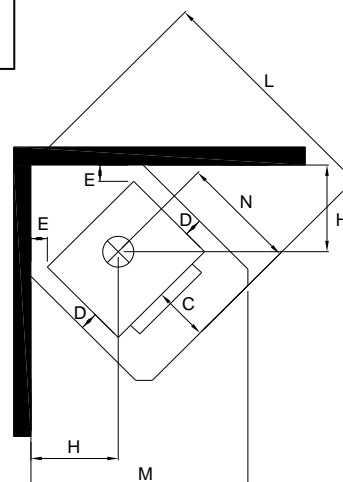
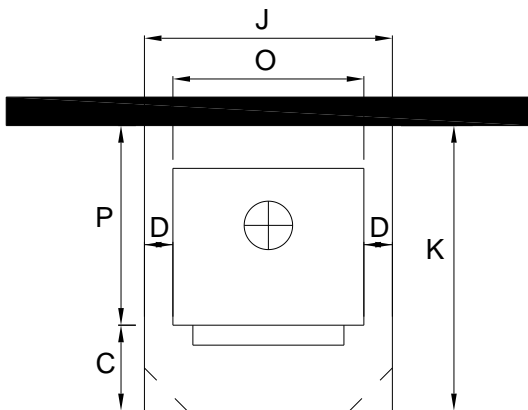
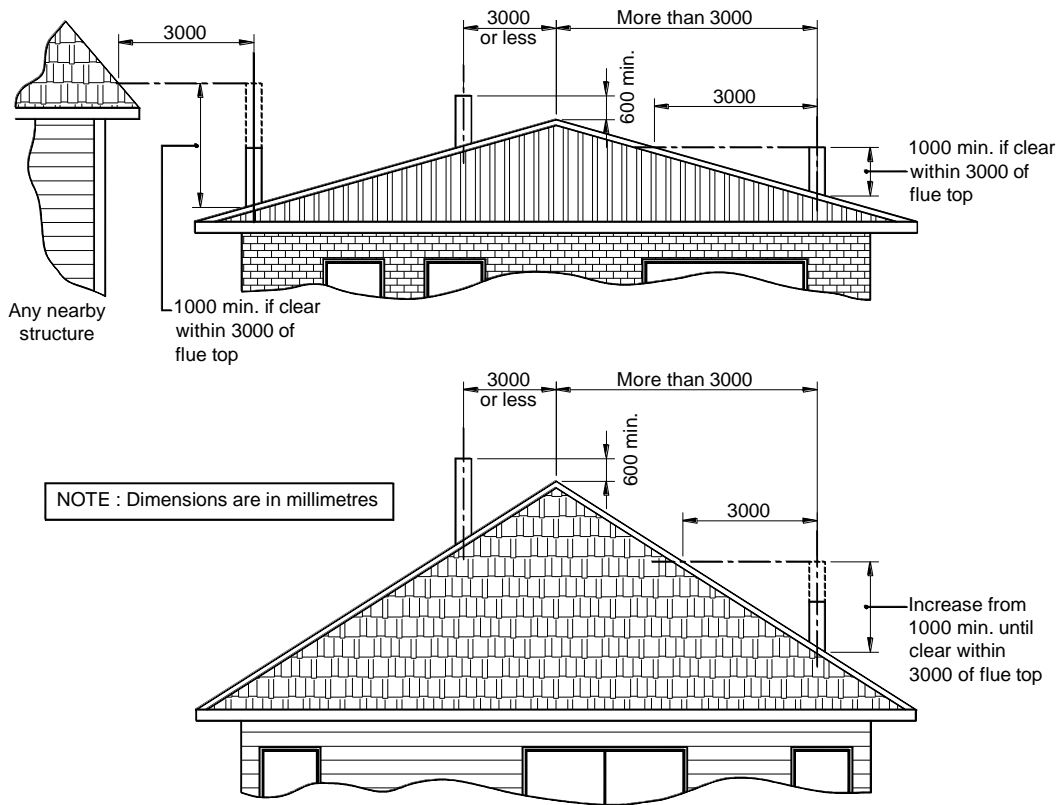


FIG D: MINIMUM HEATER TO COMBUSTIBLE WALL CLEARANCES in mm						
FLUE SHIELD	A	B	E	F	G	H
Yunca	150	330	90	365	650	468
Australian(FlueFactory)	200	330	140	415	650	518

MINIMUM FLOOR PROTECTOR MEASUREMENTS in mm									
FLUE SHIELD	C	D	J	K	L	M	N	O	P
Yunca	300	100	840	940	1237	1160	575	640	640
Australian(FF)	300	100	840	990	1307	1210	575	640	690

FLUE SYSTEM REQUIREMENTS FIG. E



MINIMUM HEIGHT OF FLUE SYSTEM EXIT

IMPORTANT INFORMATION

- A. THE APPLIANCE AND FLUE SYSTEM SHALL BE INSTALLED IN COMPLIANCE WITH AS/NZS 2918:2001 AND THE APPROPRIATE REQUIREMENTS OF THE RELEVANT BUILDING CODE OR CODES.
- B. APPLIANCES INSTALLED IN ACCORDANCE WITH THIS STANDARD SHALL COMPLY WITH THE REQUIREMENTS OF AS/NZS 4013 WHERE REQUIRED BY THE REGULATORY AUTHORITY I.E. THE APPLIANCE SHALL BE IDENTIFIABLE BY A COMPLIANCE PLATE WITH THE MARKING "TESTED TO AS/NZS 4013"
- C. ANY MODIFICATION OF THE APPLIANCE THAT HAS NOT BEEN APPROVED IN WRITING BY THE TESTING AUTHORITY IS CONSIDERED TO BE IN BREACH OF THE APPROVAL GRANTED FOR COMPLIANCE WITH AS/NZS 4013
- D. MIXING OF APPLIANCE OR FLUE SYSTEM COMPONENTS FROM DIFFERENT SOURCES OR MODIFYING THE DIMENSIONAL SPECIFICATION OF COMPONENTS MAY RESULT IN HAZARDOUS CONDITIONS. WHERE SUCH ACTION IS CONSIDERED, THE MANUFACTURER SHOULD BE CONSULTED IN THE FIRST INSTANCE.
- E. CRACKED AND BROKEN COMPONENTS E.G. GLASS PANELS OR FIRE BRICKS, MAY RENDER THE INSTALLATION UNSAFE.

IF A WATERBOOSTER IS FITTED:

NOTE: A WATER BOOSTER CANNOT BE FITTED TO THE HOBSON (SUB 1.0) CLEAN AIR MODEL

- A. DO NOT CONNECT TO AN UNVENTED HOT WATER SYSTEM
- B. INSTALL IN ACCORDANCE WITH AS 3500.4.1 OR NZS 4603 AND THE APPROPRIATE REQUIREMENTS OF THE RELEVANT BUILDING CODES.

SEISMIC RESTRAINT

Secure the heater base to the hearth or sub-framing with Dynabolts or similar through the holes provided.

Follow local Council's Specifications.