

SPECIFICATIONS

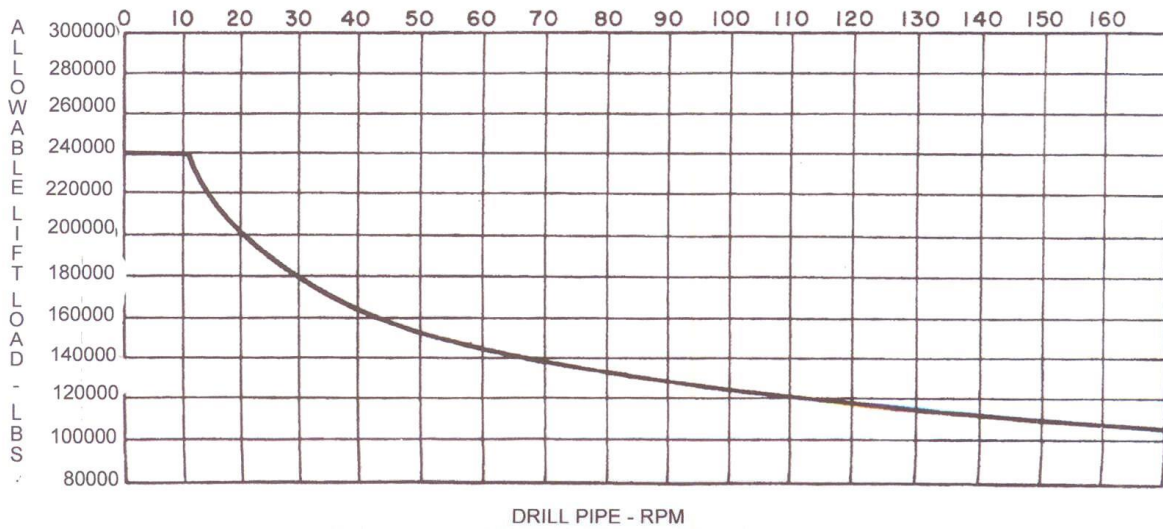
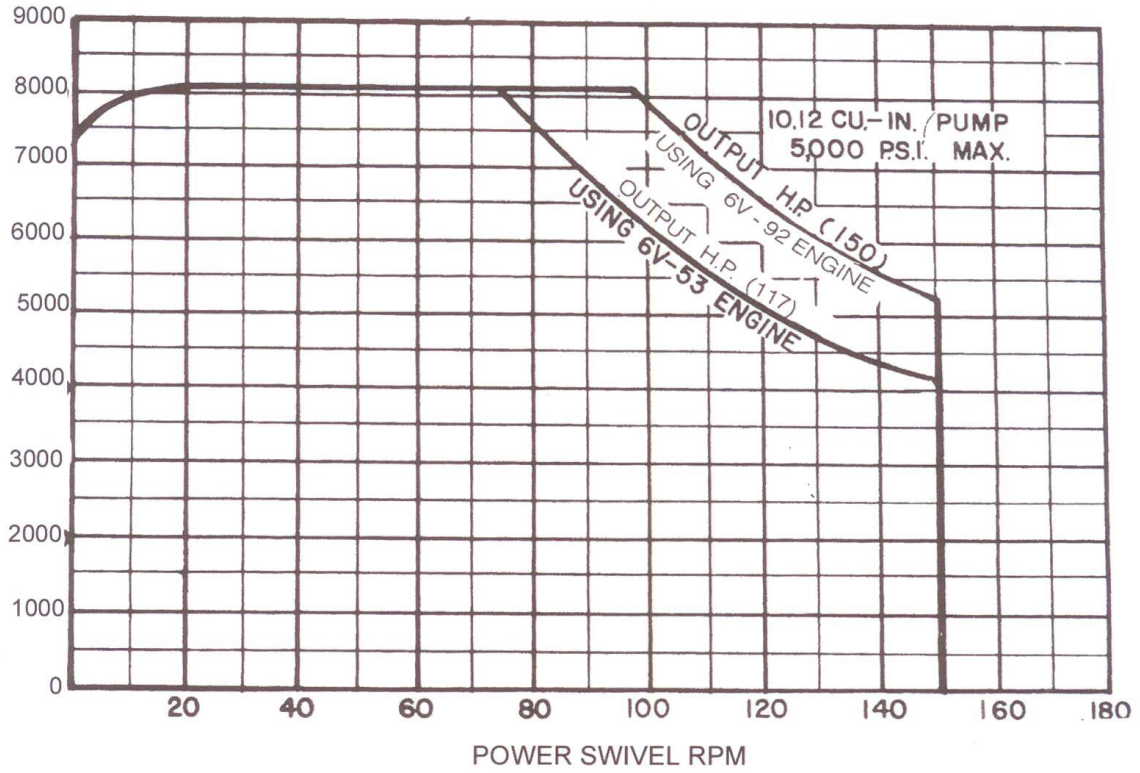
BOWEN POWER SWIVELS

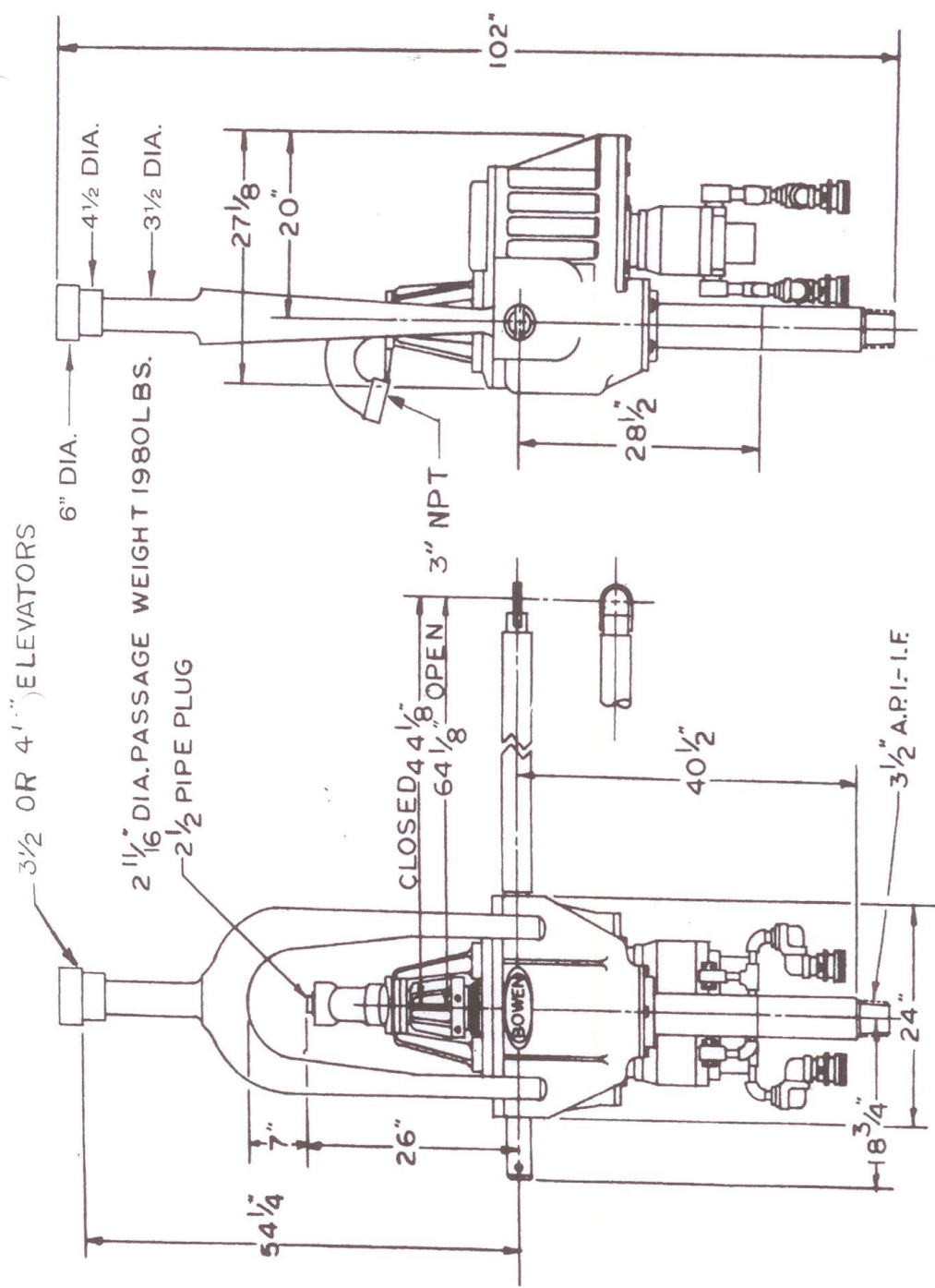
MODEL NO.		S-3.5
Assembly Part No.		84550
Weight – Lbs.		2,000
Maximum Torque – Ft. Lbs.		8,100
Maximum Speed – RPM		150
Nominal Load Rating – Tons		120
100 RPM Load Rating – Tons		65
Maximum Circulating Pressure		5,000 PSI
Radius of Torque Rein	Telescoped	44-1/8"
	Extended	64-1/8"
Goose Neck Connection		3" - 8 Line Pipe Thread
Standard Saver Sub Connection		3-1/2" A.P.I. I.F.
Goose Neck Access Hole Diameter		2-1/2" NPT
Saver Sub Make-Up Torque		7500 / 10,000 Ft. Lbs.
Bore thru Stem		2-1/4"
Elevator Bail Pipe Size		3-1/2" & 4-1/2"
Bail Hook Clearance		23-1/4"
Gear Oil Capacity		4-1/2" Gallons
High Pressure Hose Size		1-1/4"
Drain Hose Size		1"

BOWEN POWER UNIT & CONTROLS

MODEL NO.		S-3.5
Hydraulic Pump – Maximum Output and Pressure		89 GPM & 5000 P.S.I.
Hydraulic Reservoir Capacity		75 Gallons
Hydraulic Oil Part No.		60260
Standard Diesel Engine (Electric Starter Std.)		6V-71
Engine Horsepower (Continuous)		180 @ 2100 R.P.M.
Standard Fuel Tank		60 Gallons
Size and Weight	Trailer	96" Wide x 212" Long x 83" High – 12,000 Lbs.
	Skid	84" Wide x 144" Long x 70" High – 11,500 Lbs.
Air Controls and Power Unit	Trailer	#67145
	Skid	#67146
Electric Controls and Power Unit	Trailer	#67147
	Skid	#67152

PERFORMANCE DATA, BOWEN S-3.5 POWER SWIVEL





POWER SWIVEL S-3.5

BOWEN S-3.5 POWER SWIVEL PARTS LIST

ITEM NO.	PART NO.	QTY.	DESCRIPTION	ITEM NO.	PART NO.	QTY.	DESCRIPTION
1	59299	1	Body	47	46719	8	Washer - 1/2 Special Flat
2	59300	1	Upper Cover Plate	48	31827	15	Lock Washer - 1/2" Spring Type
3	83786	1	Bonnet	49	23045	6	Soc. Hd. Cap Scr. 3/4 10-NC x 3 1/4 Lg.
4	83785	1	Gooseneck	50	23039	5	Soc. Hd. Cap Scr. 3/4 10-NC x 1 3/4 Lg.
5	568-243	2	Packing Nut O-Ring - Lower; Upper	51	23038	6	Soc. Hd. Cap Scr. 3/4 10-NC x 1 1/2 Lg.
6	83791	1	Washpipe	52	23881	8	Hex Head Cap Screw 1/2 13 NC x 1-1/2 Lg.
7	83787	1	Upper Packing Nut Ring	53	23040	15	Soc. Head Cap Screw 3/4 10 NC x 2 Lg.
8	59531	1	Lower Gear Cover Plate	54	31844	2	Retainer
9	27228	1	Lower Stem Bearing Retainer	55	27238	6	Ring Gear - Groove Pin
10	31482	2	Bail Pin	56	82099	3	Washpipe Lock Pin
11	51413	1	Torque Rein Pull Pin	57	27636	1	Packing Nut Grease Fitting
12	568-010	3	"O"-Ring	58	23705	8	3/8-16 NC x 1/2 Lg. Soc. Set Scr. Flat Point
13	205619	2	Motor Drive Gear Bearing - Lower	59	83789	1	Lower Packing Nut
14	27275	1	Upper Gear Cover Gasket	60	27239	1	Lower Stem Bearing Retainer Gasket
15	27276	1	Lower Gear Cover Gasket	61	84981	2	Pipe Plug
16	83800	1	Stem	62	30187	1	1" Coupling - Nipple Half
17	84548	2	Hydraulic Motor	63	25114	1	Dust Cap - 1"
18	27277	1	Upper Stem Bearing	64	30362	1	Seal Retainer Snap Ring
19	27278	2	Lower Stem Bearing - Inner	65	29190	32	Lockwasher - 3/4" Spring Type
20	27426	1	Lower Stem Bearing - Outer	66	46690	1	Elevator Bail *
21	27279	1	Main Thrust Bearing	67	72357	1	Packing Lantern Ring
22	59281	3	Shaft & Gear Bearing	68	72355	1 Set	Packing Set (4-Rings)
23	59530	1	Second Stage Shaft Brg. (Lower)	69	83788	1	Upper Packing Nut
24	59795	1	First Reduction Gear Spacer	70	20001	2	Snap Ring
25	59592	1	Third Stage Shaft & Gear	71	73109	1	Sight Plug
26	59293	1	Second Stage Shaft & Pinion	72	65439	2	1 1/2" Pipe Swivel Joint
27	59346	1	First Reduction Gear	73	44165	1	Seal Protector
28	59294	2	First Reduction Pinion	74	200494	1	1" x 45" Street Ell
29	27208	1	Main Drive Gear	75	30384	1	Torque Rein
30	59280	2	Upper Bearing - Input Pinion	76	62842	4	1" 4 Bolt "O" Ring Weld Fitting
31	59347	2	Second Stage Shaft Key	77	69122	1	1 1/4" Self Sealing Coupling
32	27283	1	Gooseneck Plug	78	62843	2	1 1/4" S.W. Tee
33	72197	1	Saver Sub (Not Shown)	79	62846	4	1" S.W. Ell
34	27285	1	Upper Oil Seal	80	62844	2	1 1/4" S.W. Ell
35				81	62845	4	1 1/4" x 1" Red. Insert S.W.
36	27286	1	Lower Oil Seal - Inner	82	69124	1	1 1/4" Dust Plug
37	82102	8	W.P. Packing Nut Scr. Retainer	83	69123	1	1 1/4" Dust Cap
38	27416	1	Lower Oil Seal - Outer	84	22901	1	1" Close Nipple
39	27287	1 Set	Upper Gear Cover Shim	85	58937	2	1" x 1/2" Red. Bushing
40	25389	1	Oil Filler Plug	86	200493	2	Case Drain Hose Ass'y.
41	22177	1	Relief Fitting	87	35829	1	1" Tee
42	20627	1	Magnetic Drain Plug	88	55311	2	3/8-14 SAE x 1/2 NPT 90° Ell
43	83790	1	Bottom Packing Ring	89	59781	2	Pinion Oil Seal
44	72358	1	Combination Ring	*	31206	1	Plain Bail (Alternate)
45	27289	2	Cover Dowel Pin				
46	23002	7	Soc. Hd. Cap Scr. 1/2 13 NC x 2 Lg.				

SPARE PARTS FOR HYDRAULIC MOTOR:
 84232 Motor Shaft Seal Kit (Inc. Valve & Bearing Plate)
 10416 Fixed Swash Plate

200419 Rotating Group Sub Assembly
 200417 Mounting Flange Bearing Kit
 200418 End Cover Bearing Kit