

# Pedestal

[www.esaila.com](http://www.esaila.com)

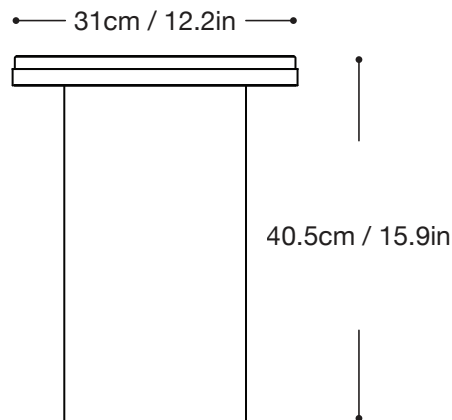


Designed by Vera & Kyte

**esaila**

# Pedestal

www.esaila.com



Materials:  
Perforated steel, marble

Colours:  
White, black

Size:  
Ø.31 H.40.5 cm

The elegance of the Pedestal side table lies in the subtle contrast between the lightness of the perforated steel base and the solid marble top.

The simple design makes this a versatile piece ready to serve as a stage for your favourite belongings.

The design studio is always seeking new impressions, eager to discover the trigger for our next idea. This curious approach leads us to constantly explore new materials and aesthetics in all our projects ranging from objects to spatial design. Applying an analytical approach we seek to transform our curiosity into products that will engage you. Through our work we hope to share our genuine enthusiasm for design!.

Located on the west coast of Norway Vera & Kyte consists of Vera Kleppe and Åshild Kyte. Together they work within the fields of furniture, products and interior architecture.

# Pedestal

[www.esaila.com](http://www.esaila.com)



White  
PED-01-WHT



Black  
PED-01-BLK

**esaila**