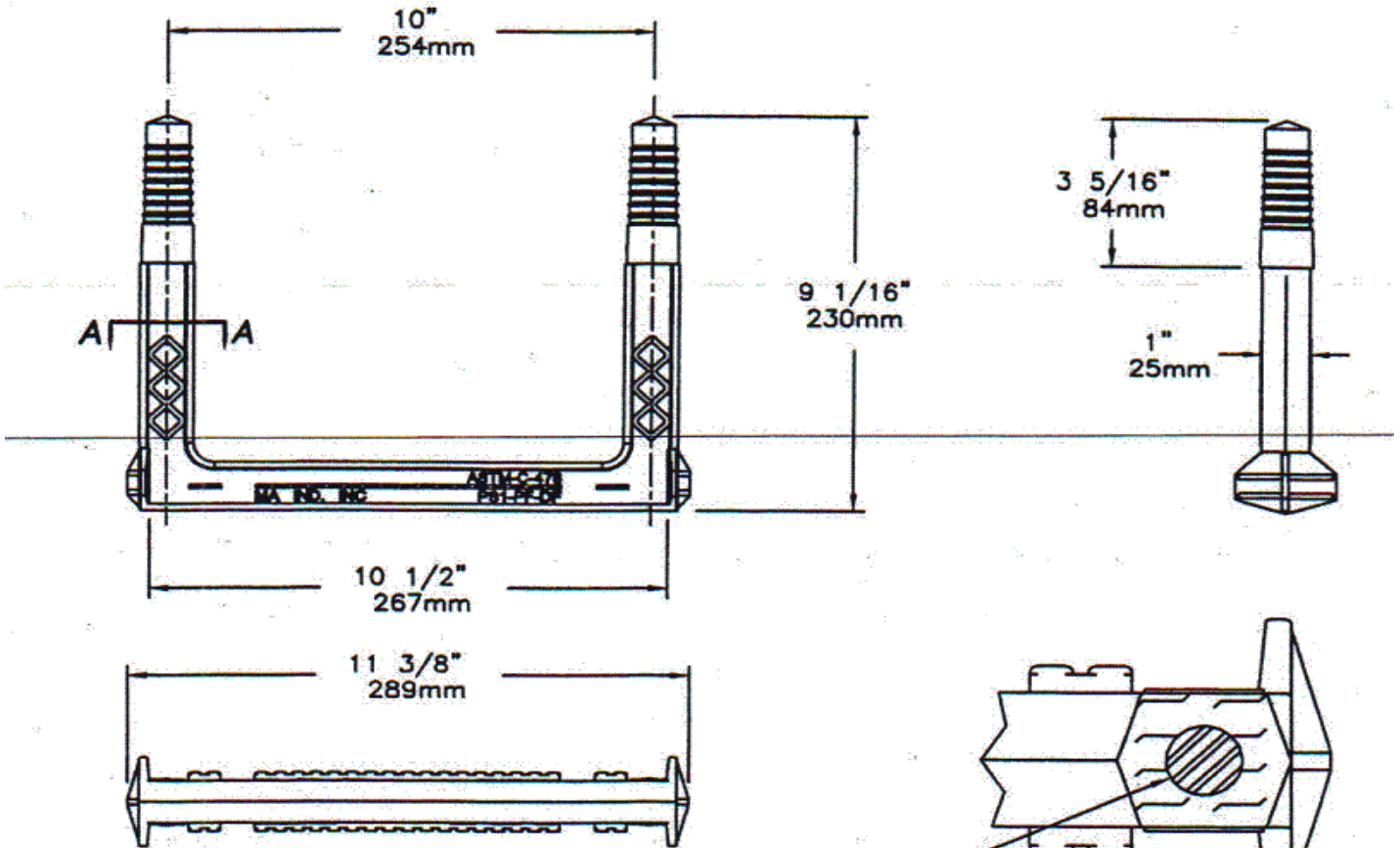




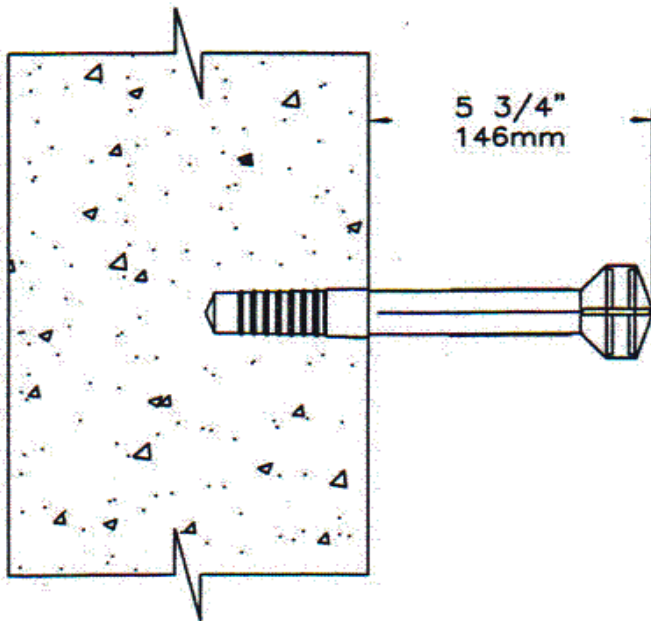
MANHOLE STEP



Copolymer Polypropylene Plastic

13mm
1/2" GRADE 60 STEEL REINFORCEMENT

SECTION-A



**MEETS: ASTM C-478
ASTM D-4101
ASTM A-615
AASHTO M-199**