

PRODUCT CATEGORY

- 1 VALVE BOXES, RISERS & EXTENSION**
- 2 MANHOLE RING AND COVERS, EXTENSIONS**
- 3 CLEANOUTS**
- 4 METER BOXES - PLASTIC/ CAST IRON/ GALVANIZED**
- 5 FRAMES & GRATES/ SOLID COVERS**
- 6 PIPE ACCESSORIES**
- 7 MJ X MJ ADAPTERS FOR BELL CONNECTIONS**
- 8 AWWA DI MJ PIPE FITTINGS C153**
- 9 AWWA DI FLANGED PIPE FITTINGS C110**
- 10 ACCU-LOK JOINT RESTRAINTS**
- 11 GATE VALVES**
- 12 EXTENDED PRODUCT RANGE**

ACCUCAST PRODUCT LISTING - 2018 VALVE BOXES/ RISERS/ EXTENSIONS - #1

ITEM CODE	ITEM DESCRIPTION	INDUSTRY REF.#	CRATE QTY
111000	18-24" Screw Type Valve Box With Lid (10T - 15B)	AC461S	40
111060	18-34" Screw Type Valve Box With Lid (10T - 24B)	AC462S	32
111100	24-36" Screw Type Valve Box With Lid (16T - 24B)	AC562S	32
111150	24-36" Heavy Screw Type Valve Box With Lid (16T - 24B)	AC562SH	32
111175	Edmond Screw Type Valve Box With Lid (HD 26T- 36B)	Edmond	20
111200	36-48" Screw Type Valve Box With Lid (16T - 36B)	AC564S	25
111300	48-60" Screw Type Valve Box With Lid (26T- 36B)	AC664S	25
112200	36-48" Slip Type Valve Box With Lid (16T - 36B)	AC564A	20
CITY SPECIFIC VALVE BOXES			
115000	Dallas Shorty Valve Box Body Only - No Lid		48
115002	Dallas Shorty Valve Box - Water		48
115003	Dallas Shorty Valve Box - Sewer		48
115005	Dallas 18" Valve Box - Water		24
115010	Shorty Valve Box Lid Only - Sewer		100
115011	Shorty Valve Box Lid Only - Sewer		100
115298	8" Anchor Dallas Valve Box Riser W/ Special Lid		50
120001	Special Valve Box Lid For Dallas Set Screw Risers	12 Lbs	100
115200	Houston Type A Valve Box Water		40
115201	Houston Type A Valve Box Lid Only Water		100
115202	Houston Type A Valve Box Lid Only Sewer		100
115202L	Houston Type A Valve Box Lid Only Recycled W/Arrow		100
115601	Austin C7 Valve Box Lid	C7	150
115602	Austin C6 Valve Box Paving Ring	C6	100
115603	Austin C5 Valve Box Boot	C5	32
115604	Austin C3 Valve Box Lid	C3	100
115605	Austin C8 Collor	C8	100
710203	Austin Property Owner Marker Lid		100
115701	San Antonio Valve Box Lid Water		100
115702	San Antonio Valve Box Lid Sewer		100
115705	San Antonio Valve Box 9" Extension		64
115706	San Antonio Valve Box 15" Extension		40
115710	San Antonio Valve Box Bottom		44
116001	Corpus Christi Valve Box - Water		27
116002	Corpus Christi Valve Box - Sewer		27
710201	Lamphole Casting (Tulsa)		24
115900	Mushroom Lid for 4" Pipe - Water		100
115901	Mushroom Lid for 4" Pipe - Sewer		100

ACCUCAST PRODUCT LISTING - 2018

VALVE BOXES/ RISERS/ EXTENSIONS - #1

ITEM CODE	ITEM DESCRIPTION	INDUSTRY REF.#	CRATE QTY
115902	Mushroom Lid for 4" Pipe - No Marking		100
115903	Mushroom Lid for 4" Pipe - Gas		100
VALVE BOX COMPONENTS			
120001	Valve Box Lid Only - Water		200
120002	Valve Box Lid Only - Gas		200
120003	Valve Box Lid Only - Sewer		200
120005	Valve Box Locking Lid Only - Water		200
120006	Valve Box Lid Only - Re-Use		200
120007	Valve Box Locking Lid Only - Sewer		200
120008	Valve Box Lid Only - WMARRS Reclaimed Water		200
120009	Valve Box Lid Only - Fire		200
115010	Dallas Shorty Valve Box Lid Only - Water		100
115011	Dallas Shorty Valve Box Lid Only - Sewer		100
120011	1" Valve Box Riser		100
120012	1 1/2" Valve Box Riser		100
120013	2" Valve Box Riser		100
120014	3" Valve Box Riser		100
120015	4" Valve Box Riser		100
120016	6" Valve Box Riser		50
120081	14" Valve Box Extension		72
120082	18" Valve Box Extension		52
120083	24" Valve Box Extension		45
120084	30" Valve Box Extension		45
121020	10" Valve Box Top Section	AC461	100
121120	16" Valve Box Top Section	AC562/564	60
121220	26" Valve Box Top Section	AC664	37
121025	15" Valve Box Bottom Section	AC461	60
121125	24" Valve Box Bottom Section	AC562	37
121325	30" Valve Box Bottom Section	AC662	50
121330	36" Valve Box Bottom Section	AC664/564	40
115281	1" Houston Type A Valve Box Riser	A BOX RISER	100
115282	1 1/2" Houston Type A Valve Box Riser	A BOX RISER	100
115283	2" Houston Type A Valve Box Riser	A BOX RISER	100
115284	3" Houston Type A Valve Box Riser	A BOX RISER	100
115285	4" Houston Type A Valve Box Riser	A BOX RISER	100
115286	6" Houston Type A Valve Box Riser	A BOX RISER	50
115287	8" Houston Type A Valve Box Riser	A BOX RISER	50

ACCUCAST PRODUCT LISTING - 2018 MANHOLE RING COVERS / EXTENSIONS - #2

ITEM CODE	ITEM DESCRIPTION	INDUSTRY REF.#	CRATE QTY
GENERIC CASTINGS			
222051	24" Manhole Sanitary Sewer Lid Only #250	#250 LID	10
222052	24" Manhole Storm Sewer Lid Only #250	#250 LID	10
260207	24" Grate Lid only #250	#250 Grate LID	10
222000	24" Manhole Ring Only #250	#250 RING	10
222001	24" Manhole Ring & Cover Sanitary Sewer #250	#250	7
222002	24" Manhole Ring & Cover Storm #250	#250	7
222021	24" Manhole Ring & Cover Sanitary Sewer WT #250	#250	7
220051	24" Sanitary Sewer Lid Only #300	#300 LID	10
220052	24" Storm Lid Only #300	#300 LID	10
220053	24" Grate Lid Only #300	#300 LID	10
220054	24" Water Lid Only #300	#300 LID	10
280051	24" Sanitary Sewer Lid Only #280 (BLACK COATED)	#280/300	8
220000	24" Manhole Ring Only #300	#300 Ring	7
280310	24" Reversible Manhole Ring Only #280	Reversible Ring	8
220001	24" Manhole Ring & Cover Sanitary Sewer #300	#300	7
220002	24" Manhole Ring & Cover Storm #300	#300	7
220005	24" Manhole Ring & Cover Water #300	#300	7
220021	24" Manhole Ring & Cover Sanitary Sewer Water Tight #300	#300 WT	7
220022	24" Manhole Ring & Cover Water Water Tight #300	#300 WT	7
220040	24" Manhole Ring & Grate #300	#300	7
260501	24" Manhole Ring & Cover Sewer #17	#17	7
280001	24" Reversible Manhole Ring & Cover Sanitary Sewer #280	Reversible	8
280002	24" Reversible Manhole Ring & Cover Storm #280	Reversible	8
290001	24" Manhole Ring & Cover Interceptor	Interceptor	8
260356	32" Grate Lid Only	Grate Lid	10
211009L	32" Dallas Style Lid Only Sanitary Sewer	Dallas Style Lid	5
211012L	32" Dallas Style Storm Lid Only	Dallas Style Lid	10
211012L	32" Dallas Style Lid Only Storm	Dallas Style Lid	5
260751L	32" Lid Only Sanitary Sewer (Austin Style CI)	Austin Style CI Lid	5
260755L	32" Lid Only Water (Austin Style CI)	Austin Style CI Lid	10
260436	32" Reversible Ring Only	Reversible Ring	10
211009R	32" Dallas Style Ring Only	Dallas Style	10
260601R	32" Ring Only (Austin Style CI)	Mud Ring	5
211009	32" Dallas Style MHRC Sanitary Sewer	Dallas Style	7
211010	32" Dallas Style MHRC Water	Dallas Style	7
211012	32" Dallas Style MHRC Storm	Dallas Style	7
211024	32" Dallas Style MHRC Sanitary Sewer Water Tight	Dallas Style	7
211025	32" Dallas Style Manhole Ring & Cover Water	Dallas Style	7
211040	40" MHRC Sanitary Sewer		5
260751	32" Manhole Ring & Cover Sanitary Sewer (Austin Style CI)	Mud Ring	5

ACCUCAST PRODUCT LISTING - 2018 MANHOLE RING COVERS / EXTENSIONS - #2

ITEM CODE	ITEM DESCRIPTION	INDUSTRY REF.#	CRATE QTY
260752	32" Manhole Ring & Cover WT Sanitary Sewer (Austin Style CI)	Mud Ring	5
260753	32" Manhole Ring & Cover Storm Drain (Austin Style CI)	Mud Ring	5
260760	32" Reversible MHRC Storm Drain (Austin Style)	Reversible	5
260630	32" DI Hinged MHRC Sanitary Self Lock		5

CITY SPECS CASTINGS

211001	24" Dallas MHRC Sanitary Sewer #400	#400	6
211000	24" Dallas Ring Only #400	#400 RING	6
211051	24" Dallas Lid Only #400	#400 LID	6
211002	24" Dallas MHRC Storm #400	#400	6
211052	24" Dallas Storm Lid Only #400	#400 LID	6
211007	32" Dallas Logo MHRC Waste Water		7
211008	32" Dallas Logo MHRC Water		7
211009	32" MHRC Sanitary Sewer (Dallas Style No Logo)		7
211021	24" MHRC Sanitary Sewer Water Tight 6 Bolts #380	#380	6
211023	32" Dallas Manhole Ring & Cover Wastewater Watertight		7
211005	24" Plano MHRC Sanitary Sewer with Logo		7
211005L	24" Plano Sanitary Sewer Logo Lid Only		10
211005R	24" Plano Ring Only		10
211006	24" Plano MHRC Storm		7
211026	32" Plano MHRC Sanitary Sewer with Logo WT		7
211030	32" Plano MHRC Sanitary Sewer with Logo		7
220600	24" Fort Worth Rinly Only		10
220601	24" Fort Worth Logo MHRC Sanitary Sewer		7
220603	24" Fort Worth Logo Lid Only		10
220605	24" Fort Worth Logo MHRC Storm Drain		7
220700	32" Fort Worth Logo MHRC Sanitary Sewer	DI Cover	5
220700L	32" Fort Worth Logo Sanitary Sewer Lid Only	DI Cover	5
220700R	32" Fort Worth Ring Only		5
220701	32" Fort Worth Logo MHRC Water Tight Sanitary Sewer	DI Cover	5
220702	32" Fort Worth Logo MHRC Storm	DI Cover	5
220201	24" Waco Logo MHRC Sanitary Sewer	WACO	5
220202	24" Waco Logo MHRC Storm	WACO	5
220203	24" Waco Sanitary Sewer Lid Only	WACO	5
220204	24" Waco Storm Lid Only	WACO	5
260430	32" Waco Logo MHRC Sanitary Sewer	WACO	5
260431	32" Waco Logo MHRC Storm w Reversible Ring	WACO	5
260432	32" MHRC Sanitary Sewer (Waco Style)	PLAIN	5
260433	32" MHRC Sanitary Sewer Water Tight (Waco Style)	PLAIN	5
260434	32" Waco Logo MHRC Sanitary Sewer Water Tight	WACO	5
260435	32" Reversible MHRC Sanitary Sewer (Waco Style)	PLAIN	5
260437	32" Waco Storm Lid Only	WACO	5

ACCUCAST PRODUCT LISTING - 2018 MANHOLE RING COVERS / EXTENSIONS - #2

ITEM CODE	ITEM DESCRIPTION	INDUSTRY REF.#	CRATE QTY
260601	32" DI Austin Logo MHRC Sanitary Sewer	DI Cover	5
260603	32" DI Austin Logo MHRC Storm Drain	DI Cover	5
260611	32" DI MHRC Sanitary Sewer (Austin Style)	DI Cover	5
260612	32" DI Storm Drain Lid Only (Austin Style)	DI PLAIN	5
260613	32" DI Sanitary Sewer Lid Only (Austin Style)	DI PLAIN	5
260615	32" DI MHRC Storm Drain (Austin Style)	DI Cover	5
260605	32" DI Austin Logo MHRC Sanitary Sewer Water Tight	DI Cover	5
260607	32" DI Austin Logo MHRC Storm Drain Water Tight	DI Cover	5
260617	32" DI MHRC Sanitary Sewer Water Tight (Austin Style)	DI Cover	5
260619	32" DI MHRC Storm Drain Water tight (Austin Style)	DI Cover	5
260000	23½" Houston Frame Only		10
260001	23½" Houston MHRC Sanitary		7
260002	23½" Houston MHRC Storm		7
260003	23½" REVERSIBLE Frame Only		10
260004	23½" Houston MHRC Storm w LOGO		7
260005	23½" Houston MHRC REVERSIBLE Storm or Sanitary		7
260006	23½" MHRC Storm (Houston Style)	PLAIN	7
260011	23½" MHRC Sanitary (Houston Style)	PLAIN	7
260012	23½" Houston MHRC Sewer		7
260013	23½" Houston Storm Lid Only		10
260014	23½" Houston Mud Ring Only	MUD RING	10
260202	23½" Houston Sanitary Lid Only	COH	10
260203	23½" Sewer Lid Only (Houston Style)	PLAIN	10
260204	23½" Sanitary Lid only (Houston Style)	PLAIN	10
260205	23½" Storm Lid only (Houston Style)	PLAIN	10
260206	23½" Houston Storm Lid only W/Logo	COH	10
260207	23½" Grate Lid only		10
260299	32" Houston Mud Ring Only	MUD RING	10
260300	32" Houston Frame Only		10
255001	32" MHRC Sanitary (Houston Style)	PLAIN	7
260303	32" Houston MHRC Storm	COH	7
260305	32" Houston MHRC -Sanitary		7
260307	32" Houston MHRC -Storm W/ LOGO		7
260311	32" MHRC Sewer (Houston Style)	PLAIN	7
255002	32" MHRC STORM (Houston Style)	PLAIN	7
260314	32" Storm Lid Only (Houston Style)	PLAIN	10
260315	32" Sanitary Lid Only (Houston Style)	PLAIN	10
260316	32" SEWER Lid Only (Houston Style)	PLAIN	10
260317	32" Houston Storm Lid Only W/ LOGO	COD	10
260354	32" Houston Storm Lid Only		10
260355	32" Houston Sanitary Lid Only		7
260356	32" Grate Lid Only		10
222055	23.75" Sanitary Sewer MHRC Longview #250	250	7
222055L	23.75" Sanitary Sewer Lid Longview #250	250	10
220010	23.75" Sanitary Sewer MHRC Longview #300	300	7
220010L	23.75" Sanitary Sewer Lid Longview #300	300	10
211009	32" MHRC Sanitary Sewer Longview		7

ACCUCAST PRODUCT LISTING - 2018 MANHOLE RING COVERS / EXTENSIONS - #2

ITEM CODE	ITEM DESCRIPTION	INDUSTRY REF.#	CRATE QTY
211012L/260436	32" Reversible MHRC Storm Longview		5

INLET FRAME & COVERS

416001	19" Reversible Inlet Ring & Cover		10
540000	20 1/8" Inlet Frame Only #1103	1103 FRAME	20
540009	20 1/8" Inlet Frame & Cover #1103	1103	20
540059	20 1/8" Inlet Lid Only #1103	1103 COVER	20
580207	23 1/2" Ring & Cover with 4 vent holes #1125	1125	10
580209	23 1/2" Frame Only #1125	1125 FRAME	10
580408	19 1/8" Locking Inlet Frame & Cover #1184	1184 LOCK	10
580458	19 1/8" Locking Inlet Cover Only #1184	1184 COVER	10
580459	19 1/8" Locking Inlet Frame Only #1184	1184 FRAME	10
580608	23 1/8" Locking Inlet Frame & Cover #2226	2226 LOCK	10
580658	23 1/8" Locking Inlet Cover Only #2226	2226 COVER	10
580659	23 1/8" Locking Inlet Frame ONLY #2226	2226 FRAME	10
584117	23 3/4" Inlet Cover with 4 vent holes #125	125	10
581802	M53 Inlet Frame & Cover - Austin	M53	10
581803	M53 Inlet Frame & Cover - Plain	M53	10
581804	M53 Inlet Frame & Cover - Austin/ Fish Logo	M53	10
582000	M52 Inlet Frame Only	M52 FRAME	10
582001	M52 Inlet Frame & Cover - Austin	M52	10
582003	M52 Inlet Lid Only	M52 LID	10
270103	M55 Manhole Ring and Cover ELECTRIC - Austin CAST IRON	M55 OLD	5
270105	M55 Manhole DUCTILE Ring and Cover - Austin NEW SPECS	M55	5

EXTENSIONS FOR MANHOLE RING COVER

220281	1 1/2" Extension For 23 1/2" MHRC	#250	20
220282	2" Extension For 23 1/2" MHRC	#250	20
220283	3" Extension For 23 1/2" MHRC	#250	12
220284	4" Extension For 23 1/2" MHRC	#250	10
220286	6" Extension For 23 1/2" MHRC	#250	7
220082	2 5/8" Extension For 24" MHRC	#300	15
220083	3" Extension For 24" MHRC	#300	12
220084	4" Extension For 24" MHRC	#300	10
220086	6" Extension For 24" MHRC	#300	7
260282	2" Extension For 32" MHRC		20
260283	3" Extension For 32" MHRC		12
260284	4" Extension For 32" MHRC		10
260286	6" Extension For 32" MHRC		7

PRIVATE LABEL MANHOLE CASTINGS

220023	24" MHRC Interceptor WT GATCO	GATCO	7
280028	24" Reversible MHRC Sanitary Sewer PRECON	PRECON	8
280029	24" Reversible MHRC Sanitary Sewer CXT	CXT	8
280030	24" Reversible MHRC G/O Interceptor METRO	METRO	8
255005	32" MHRC Sanitary METRO	METRO	8

ACCUCAST PRODUCT LISTING - 2018 CLEAN OUTS - #3

ITEM CODE	ITEM DESCRIPTION	INDUSTRY REF.#	CRATE QTY
PLASTIC AND CAST IRON			
710001	Boot Type Sewer Clean Out	Boot Type	24
710011	Boot Type Sewer Clean Out Lid	Boot Lid	100
710213	4" Cast Iron Lateral Clean Out (Dallas)		180
710213L	4" Cast Iron Lateral Clean Out Lid Only		100
710215	6" Cast Iron Lateral Clean Out (San Antonio)		100
710223	4" Plastic Lateral Cleanout (Dallas)		180
710223L	4" Plastic Lateral Cleanout Lid Only		100
710225	6" Plastic Lateral Cleanout (San Antonio)		100
710233	4" Plastic Lateral Cleanout With Cast Iron Lid		180
710401	12" Sewer Cleanout	Austin C/O	36



ACCUCAST PRODUCT LISTING - 2018

METER BOXES :- PLASTIC / CAST IRON / GALVANIZED - #4

ITEM CODE	ITEM DESCRIPTION	INDUSTRY REF.#	CRATE QTY
-----------	------------------	----------------	-----------



PLASTIC METER BOXES

711012	Plastic Oval Meter Box with Cast Iron Lid #185	185 Oval -P	32
711020	Rectangular Plastic Meter Box Body Only (18" X 11 1/4")	Arlington	40
711029	Rectangular Plastic Meter Box With Plastic Lid for AMI Meters (18" X 11 1/4")		40
711818	18 x 18" Ultra Rib Plastic Meter Box with Cast Iron Ring & Lid	Ultra Rib/A-2000	12
711819	18 x 18" Ultra Rib Plastic Meter Box with Cast Iron Ring Only	Ultra Rib/A-2000	12
711820	18 x 18" Ultra Rib Plastic Meter Box with Cast Iron Ring & 2" Reader Hole Lid	Ultra Rib/A-2000	12
711824	18 x 24" Ultra Rib Plastic Meter Box with Cast Iron Ring & Lid	Ultra Rib/A-2000	12
711825	18 x 24" Ultra Rib Plastic Meter Box with Cast Iron Ring Only	Ultra Rib/A-2000	12
711831	18 x 30" Ultra Rib Plastic Meter Box with Cast Iron Ring Only	Ultra Rib/A-2000	8
712418	24 x 18" Ultra Rib Plastic Meter Box with Cast Iron Ring & Lid	Ultra Rib/A-2000	8
712419	24 x 18" Ultra Rib Plastic Meter Box with Cast Iron Ring Only	Ultra Rib/A-2000	8
712420	24 x 18" Ultra Rib Plastic Meter Box with Cast Iron Ring & 2" Reader Hole Lid	Ultra Rib/A-2000	8
712424	24 x 24" Ultra Rib Plastic Meter Box with Cast Iron Ring & Lid	Ultra Rib/A-2000	8
712425	24 x 24" Ultra Rib Plastic Meter Box with Cast Iron Ring Only	Ultra Rib/A-2000	8
846210	18 x 18" Round White Plastic Meter Box with Ductile Iron Ring Only - Dallas	Dallas/ No Lid	18
846211	18 x 18" Round White Plastic Meter Box with Ductile Iron R&L- Dallas	Dallas	18
846215	30 x 18" Round White Plastic Meter Box with Ductile Iron R&L- Dallas	Dallas	4
846217	30 x 18" Round White Plastic Meter Box with Ductile Iron Ring & 20" Plastic Lid	Dallas	4
846218	30 x 18" Round White Plastic Meter Box with Cast Iron Ring & 20" Plastic Lid	Dallas	4
846216	30 x 18" Round White Plastic Meter Box with Cast Iron Ring & Lid	CI R&L	4

ACCUCAST PRODUCT LISTING - 2018

METER BOXES :- PLASTIC / CAST IRON / GALVANIZED - #4

ITEM CODE	ITEM DESCRIPTION	INDUSTRY REF.#	CRATE QTY
842912	18 x 18" Round Black Plastic Meter Box with Cast Iron R&L		18
846207	18 x 18" Round Black Plastic Meter Box with Cast Iron R & Plastic Lid (H-10)	Garland/Plano	18
846212	18 x 18" Round White Plastic Meter Box with Ductile Iron R&L W 3/4" Hole	University Park	18
846214	18 x 18" Round White Plastic Meter Box with Cast Iron R&L- Dallas Style	CI R&L	18

846150	12" Black Rectangular Plastic Meter Box with Reader Lid	AC -1200/1300	72
846151	12" Black Rectangular Plastic Meter Box with Blue Reader Lid	AC -1200/1300	72
846152	12" Black Rectangular Plastic Meter Box with Blue Reader Lid CI	AC -1200/1300	54

CAST IRON METER BOXES

711000	Cast Iron Oval Meter Box with Cast Iron Lid #185	185 Oval	32
711201	#1 Meter Box Oval	#1	24
711202	#2 Meter Box Oval 18" High	#2	12
711401	Rome Box Oval	11910 Oval	32

METER BOX LIDS

713552	3/4" T Water Meter Lid - 15 3/8 x 10 1/4 x 1 3/4"		100
713565	Water Meter Lid - 11 1/4 x 18" x 1 3/4"		100
713567	Sewer Meter Lid - 11 1/4 x 18" x 1 3/4"		100
713570	1" TFW - Water Meter Lid		100
713577	Dual Cover - 16 1/2 x 14 3/8 x 1 3/4" Drop In		50
713595	Top Mount Water Meter Lid - 16 3/8" x 11 1/8"	FITS AC -1200	100
713596	Top Mount Sewer Meter Lid - 16 3/8" x 11 1/8"	FITS AC -1200	100
713600	Water Meter Lid - 20 3/4 x 14 7/8 Drop In		100

872027	12" Plastic Lid for AMR Meters (H-10)		100
872030	12" Dallas Plastic Lid for AMR Meters	Dallas	100
872035	20" Dallas Plastic Lid for AMR Meters	Dallas	50

METER BOX RING & LIDS

872000	18" Ring with 12" Locking Lid Water (Standard)	Regular	50
872001	18" Ring Only (Standard)	Regular	50
872002	18" Ring with 12" Locking Lid & 2" Reader Hole	2" Hole	50
872003	18" Ring with 12" Locking Lid Sewer (Standard)	Regular	50
872004	12" Lid Only Water Without Locks (Standard)	Lid W/O Lock	50
872005	12" Locking Lid Only Water (Standard)		50
872006	12" Locking Lid Only Water With 2" Reader Hole	2" Hole	50
872007	12" Locking Lid Only - NO MARKING	No Marking	50
872009	12" Locking Lid Only Sewer (Standard)		50
872012	18" Ring with 12" Locking Lid for Ductile Iron Standard	Ductile Iron	50

872010	18" Ring with 12" Locking Lid for Corrugated Pipe	Pipe ID 17.5"	50
872010R	18" Ring Only for Corrugated Pipe	Pipe ID 17.5"	50
872011	18" Ring with 12" Locking Lid for Ultra Rib Pipe		50
872014	18" Chattanooga Lid Only	Chattanooga	50
872027	12" Plastic Lid H- 10 Threaded	Plastic H-10	50
872030	12" City of Dallas Plastic Lid	Dallas	50
872035	20" City of Dallas Plastic Lid	Dallas	25
872061	18" Ring Only Ductile Iron (Dallas MBX)	Dallas	76
872064	18" Ring with 12" Locking Lid Ductile Iron (Dallas MBX)	Dallas	76
872065	12" Locking Lid Only Ductile Iron (Dallas MBX)	Dallas	76
872070	20" Lid Ductile Iron (Dallas MBX)	Dallas	52
872071	30" Ring Only Ductile Iron (Dallas MBX)	Dallas	10

872200	24" Ring with 12" Lid for Corrugated Pipe	Pipe ID 23.5"	10
872201	24" Ring Only for Corrugated Pipe	Pipe ID 23.5"	10

ACCUCAST PRODUCT LISTING - 2018
METER BOXES :- PLASTIC / CAST IRON / GALVANIZED - #4

ITEM CODE	ITEM DESCRIPTION	INDUSTRY REF.#	CRATE QTY
872203	20" Lid Only Sewer		10
872205	24" Ring with 20" Lid & 2" Reader Hole		10
872206	24" Ring with 20" Lid for Corrugated Pipe	Pipe ID 24"	10
872305	20" Lid Only Water		10
872306	20" Lid Only Water With 2" Reader Hole	2" Hole	10
872350	30" Ring with 20" Lid Cast Iron (Dallas MBX)		10
872351	30" Ring Only Cast Iron (Dallas MBX)		10
872400	36" Ring with 20" Lid for Corrugated Pipe	Pipe ID 36"	10
872401	36" Ring Only for Corrugated Pipe	Pipe ID 36"	10
872402	36" Ring with 20" Lid with 2" Reader Hole		10

GALVANIZED CAN WITH CAST IRON RING AND LIDS

**** SPECIAL SIZES MADE TO ORDER ****

18" Ring and 12" Lid (Water/ Sewer/ 2" Reader Hole)

812010	18 X 14" Galvanized MBX\Lock		12
812011	18 X 14" Galvanized MBX\Lock-1 Slot	1 Slot	12
812013	18 X 14" Galvanized MBX\Lock With 2" Reader Hole Lid	2" Reader Hole	12
812110	18 X 18" Galvanized MBX\Lock		12
812111	18 X 18" Galvanized MBX\Lock-1 Slot	1 Slot	12
812112	18 X 18" Galvanized MBX\Lock-2 Slots	2 Slot	12
812210	18 X 24" Galvanized MBX\Lock		12
812310	18 X 30" Galvanized MBX\Lock		12
812410	18 X 36" Galvanized MBX\Lock		6
812510	18 X 42" Galvanized MBX\Lock		6
812610	18 X 48" Galvanized MBX\Lock		6
812710	18 X 54" Galvanized MBX\Lock		6
812810	18 X 60" Galvanized MBX\Lock		6
812910	18 X 72" Galvanized MBX\Lock		6

24" Ring and 20" Lid (Water/ Sewer/ 2" Reader Hole)

828110	24 X 18" Galvanized MBX\Lock		10
828113	24 X 18" Galvanized MBX\Lock With 2" Reader Hole Lid	2" Reader Hole	10
828210	24 X 24" Galvanized MBX\Lock		10
828310	24 X 30" Galvanized MBX\Lock		5
828410	24 X 36" Galvanized MBX\Lock		5
828510	24 X 42" Galvanized MBX\Lock		5
828610	24 X 48" Galvanized MBX\Lock		5
828710	24 X 54" Galvanized MBX\Lock		5
828810	24 X 60" Galvanized MBX\Lock		5
828910	24 X 72" Galvanized MBX\Lock		5

28" Ring and 20" Lid (Water/ Sewer/ 2" Reader Hole)

829110	28 X 18" Galvanized MBX\Lock		4
829111	28 X 18" Galvanized MBX\Lock-1 Slot		4
829112	28 X 18" Galvanized MBX\Lock-2 Slot		4
829210	28 X 24" Galvanized MBX\Lock		4
829310	28 X 30" Galvanized MBX\Lock		2
829410	28 X 36" Galvanized MBX\Lock		2
829510	28 X 42" Galvanized MBX\Lock		2
829610	28 X 48" Galvanized MBX\Lock		2

36" Ring and 20" Lid (Water/ Sewer/ 2" Reader Hole)

838110	36 X 18" Galvanized MBX\Lock		1
838210	36 X 24" Galvanized MBX\Lock		1
838310	36 X 30" Galvanized MBX\Lock		1
838410	36 X 36" Galvanized MBX\Lock		1
838510	36 X 42" Galvanized MBX\Lock		1
838610	36 X 48" Galvanized MBX\Lock		1
838710	36 X 54" Galvanized MBX\Lock		1
838810	36 X 60" Galvanized MBX\Lock		1

ACCUCAST PRODUCT LISTING - 2018
METER BOXES :- PLASTIC / CAST IRON / GALVANIZED - #4

ITEM CODE	ITEM DESCRIPTION	INDUSTRY REF.#	CRATE QTY
838910	36 X 72" Galvanized MBX\Lock		1
48" CANS WITH HINGED LIDS/ HASP			
848210	48 X 24" Galvanized MBX\Lock		1
848410	48 X36" Galvanized MBX\Lock		1
848610	48 X 48" Galvanized MBX\Lock		1
848710	48 X 60" Galvanized MBX\Lock		1
848810	48 X 72" Galvanized MBX\Lock		1
848910	48 X 96" Galvanized MBX\Lock		1
60" & ABOVE CANS WITH HINGED LID/ HASP			
860655	60 X 60" Galvanized MBX with Hinged Lid/Hasp		1
860670	60 X 84" Galvanized MBX with Hinged Lid/Hasp		1
867260	72 X 60" Galvanized MBX with Hinged Lid/Hasp		1
***** PLEASE CALL THE OFFICE ON SPECIAL NEEDS			

ACCUCAST PRODUCT LISTING - 2018 FRAMES & GRATES / SOLID COVERS - #5

ITEM CODE	ITEM DESCRIPTION	INDUSTRY REF.#	CRATE QTY
DROP IN ROUND GRATES FOR CORRUGATED PIPE			
672006	6" Grate for Corrugated Pipe		100
672008	8" Grate for Corrugated Pipe		100
672010	10" Grate for Corrugated Pipe		100
DROP IN ROUND RINGS & GRATES FOR CORRUGATED PIPE			
672012	12" Ring & Grate for Corrugated Can/Pipe		50
672015	15" Ring & Grate for Corrugated Can/Pipe		50
672018	18" Ring & Grate for Corrugated Can/Pipe		25
672024	24" Ring & Grate for Corrugated Can/Pipe		10
DROP IN ROUND RINGS & SOLID COVERS FOR CORRUGATED PIPES			
675012	12" Ring & Solid Cover for Corrugated Can/Pipe		50
675015	15" Ring & Solid Cover for Corrugated Can/Pipe		25
675015P	15" Ring & Solid Cover PRECON		25
675018	17.5" Ring & Solid Cover for Corrugated Can/Pipe		25
675018P	17.5" Ring & Solid Cover PRECON		25
DROP IN ROUND RINGS & SOLID COVER SAMPLE WELL			
715600	15" Ring & Solid Cover for Corrugated Can/Pipe SAMPLE WELL		25
675018	17.5" Ring & Solid Cover for Corrugated Can/Pipe SAMPLE WELL		25
FORT WORTH VAULT LID & FRAMES **(SPECIAL ORDER)			
736105	24 X 40" Vault Frame HD		10
736115	24 X 40" Vault Lid Water LD		10
736116	24 X 40" Vault Lid Sewer LD		10
736315	24 X 40" Vault Lid Water HD		10
736317	24 X 40" Vault Lid Sewer HD		10
SOLID COVERS			
651211	12" x 12" Solid Cover		10
652111	21" x 21" Solid Cover		10
652411	24" x 24" Solid Cover		10
652711	27" x 27" Solid Cover		10
653311	30" x 30" Solid Cover		5
653411	34" x 34" Solid Cover		5
653811	38" x 38" Solid Cover		5
SOLID COVER & FRAME			
662412	24" x 24" Solid Cover & Frame		10
GRATES			
641211	12" x 12" Grate		10
641411	14" x 14" Grate		10
641811	18" x 18" Grate		20
642011	20" x 20" Grate		10
642111	21" x 21" Grate		10
642315	23" x 15" C Grate	C Grate	25
642411	24" x 24" Grate		10
642711	27" x 27" Grate		10
642611	26" x 26" Grate Type A	AC5624	10
613276	29 1/2" X 16 1/2" BB Grate	BB GRATE	10

ACCUCAST PRODUCT LISTING - 2018 FRAMES & GRATES / SOLID COVERS - #5

ITEM CODE	ITEM DESCRIPTION	INDUSTRY REF.#	CRATE QTY
643011	30" x 30" Grate Slotted Plain		10
643012	30 x 30" Grate Square Plain		5
643013	30 x 30" Square Hole Grate (Houston Marking)	COH	5
643211	32" x 32" Grate		5
643411	34" x 34" Grate		5
643611	36" x 36" Grate		5
643812	37 1/2" x 37 1/2" Grate	37 1/2"	5
643811	38" x 38" Grate	38"	5
630801G	38 1/4" x 38 1/4" Grate	38 1/4"	5
631002	48" x 48" Grate (2 Pieces of 24" X 48")		6
631001G	48" x 48" DI Grate (1 Piece)		5

FRAMES ONLY

641213	12" x 12" Frame		
641400	14" x 14" Frame		
641800	18" x 18" Frame		
642012	20" x 20" Frame		
642400	24" x 24" Frame		
652411F	24" x 24" Type A Reversible Frame		
610211	26" x 26" Type A Reversible Frame		
610206	30" x 30" Type A Frame		
643211F	32" x 32" Frame		
630601F	36" x 36" Frame		
630801F	38 1/4" x 38 1/4" Frame		
631001F	48" x 48" DI Frame		

ADA GRATES 1/2" SLOT

650018	18" x 18" Grate ADA		10
650020	20" x 20" Grate ADA		10
650021	21" x 21" Grate ADA		10
650027	27" x 27" Grate ADA		10
650034	34" x 34" Grate ADA		5
6500238	38" x 38" Grate ADA		5

ADA FRAME & GRATES 1/2" SLOT

641802	18" x 18" Frame & Grate ADA		10
--------	-----------------------------	--	----

FRAMES & GRATES

641201	12" x 12" Frame & Grate		50
641401	14" x 14" Frame & Grate		50
641801	18" x 18" Frame & Grate		10
642001	20" x 20" Frame & Grate		10
642401	24" x 24" Frame & Grate		10
642601	26" x 26" Frame & Grate		10
610201	30" X 30" HD Frame & Grate Square Plain		5
610202	30" X 30" HD Frame & Grate Square COH		5
610203	30" X 30" HD Frame & Grate Slotted Plain		5
630401	32" X 32" Frame & Grate		10
630601	36" X 36" HD Frame & Grate		5
630801	38 1/4" X 38 1/4" Frame & Grate		5
631001	48" X 48 " Frame & Grate DI		5

**ACCUCAST PRODUCT LISTING - 2018
FRAMES & GRATES / SOLID COVERS - #5**

ITEM CODE	ITEM DESCRIPTION	INDUSTRY REF.#	CRATE QTY
REVERSIBLE TYPE A FRAMES & GRATES			
662011	20 x 20" Reversible F&G TYPE A (18" Grate)	AC5620	10
662411	24 x 24" Reversible F&G TYPE A (24" Grate)	AC5622	10
610210	26 X 26" Reversible F&G (6" Frame) TYPE A (26" Grate)	AC5624	10
BB FRAMES & GRATES - HOUSTON			
613211	B Grate 18 x 30" (Single)		10
613261	BB Frame & Grate Set Without I Beam		10
613264	BB Frame & Grate Set With I Beam		10
613266	B Frame & Grate Single	3 FLANGE	10
613267	B Frame only		10
613272	BB Left Frame		10
613273	BB Right Frame		
613274	BB COH Grate Single		10
613275	I Beam for BB Frame		10
613276	BB Grate Single - Plain (16 1/2" x 29 1/2")		10

ACCUCAST PRODUCT LISTING - 2018 ACCESSORIES PIPE FITTINGS - #6

ITEM CODE	ITEM DESCRIPTION	CRATE QTY
FLANGE ZINC BOLT SET, NO GASKET		
FBP02	2" Flange Bolt Set	486
FBP025	2 1/2" Flange Bolt Set	486
FBP03	3" Flange Bolt Set	486
FBP04	4" Flange Bolt Set	486
FBP06	6" Flange Bolt Set	486
FBP08	8" Flange Bolt Set	486
FBP10	10" Flange Bolt Set	240
FBP12	12" Flange Bolt Set	240
FBP14	14" Flange Bolt Set	240
FBP16	16" Flange Bolt Set	180
FLANGE PACKS ZINC WITH RED GASKET		
FAP02	2" #150 Flg Acc Packs 1/8	288
FAP025	2 1/2" #150 Flg Acc Packs 1/8	288
FAP03	3" #150 Flg Acc Packs 1/8	288
FAP04	4" #150 Flg Acc Packs 1/8	400
FAP05	5" #150 Flg Acc Packs 1/8	189
FAP06	6" #150 Flg Acc Packs 1/8	189
FAP08	8" #150 Flg Acc Packs 1/8	184
FAP10	10" #150 Flg Acc Packs 1/8	252
FAP12	12" #150 Flg Acc Packs 1/8	80
FAP14	14" #150 Flg Acc Packs 1/8	80
FAP16	16" #150 Flg Acc Packs 1/8	80
FAP18	18" #150 Flg Acc Packs 1/8	60
FAP20	20" #150 Flg Acc Packs 1/8	60
FAP24	24" #150 Flg Acc Packs 1/8	60
FLANGE PACKS 304 STAINLESS STEEL B&N		
FAP03SS	3" #150 Flg Acc Packs 1/8 Stainless	
FAP04SS	4" #150 Flg Acc Packs 1/8 Stainless	
FAP05SS	5" #150 Flg Acc Packs 1/8 Stainless	
FAP06SS	6" #150 Flg Acc Packs 1/8 Stainless	
FAP08SS	8" #150 Flg Acc Packs 1/8 Stainless	
FAP10SS	10" #150 Flg Acc Packs 1/8 Stainless	
FAP12SS	12" #150 Flg Acc Packs 1/8 Stainless	
FAP14SS	14" #150 Flg Acc Packs 1/8 Stainless	
FAP16SS	16" #150 Flg Acc Packs 1/8 Stainless	
FAP18SS	18" #150 Flg Acc Packs 1/8 Stainless	
FAP20SS	20" #150 Flg Acc Packs 1/8 Stainless	
FAP24SS	24" #150 Flg Acc Packs 1/8 Stainless	
MJ GLAND PACKS		
GPST02	2" Standard Gland Pack	300
GPST03	3" Standard Gland Pack	432
GPST04	4" Standard Gland Pack	350
GPST06	6" Standard Gland Pack	192
GPST08	8" Standard Gland Pack	144
GPST10	10" Standard Gland Pack	80
GPST12	12" Standard Gland Pack	80
GPST14	14" Standard Gland Pack	64
GPST16	16" Standard Gland Pack	64
GPST18	18" Standard Gland Pack	
GPST20	20" Standard Gland Pack	
GPST24	24" Standard Gland Pack	

ACCUCAST PRODUCT LISTING - 2018 ACCESSORIES PIPE FITTINGS - #6

ITEM CODE	ITEM DESCRIPTION	CRATE QTY
TRANSITION GLAND PACKS		
GPTR02	2" Transition Gland Pack	300
GPTR03	3" Transition Gland Pack	432
GPTR04	4" Transition Gland Pack	350
GPTR06	6" Transition Gland Pack	192
GPTR08	8" Transition Gland Pack	144
GPTR10	10" Transition Gland Pack	80
GPTR12	12" Transition Gland Pack	80
MJ BOLT PACKS		
MJBP02	2" Bolt Pack	600
MJBP03	3" Bolt Pack	720
MJBP04	4" Bolt Pack	540
MJBP06	6" Bolt Pack	400
MJBP08	8" Bolt Pack	184
MJBP10	10" Bolt Pack	216
MJBP12	12" Bolt Pack	96
MJBP14	14" Bolt Pack	80
MJBP16	16" Bolt Pack	64
MJBP18	18" Bolt Pack	64
MJBP20	20" Bolt Pack	64
MJBP24	24" Bolt Pack	64
MJBP30	30" Bolt Pack	
MJ TRANSITION BOLT PACKS		
MJTRBP02	2" Transition Bolt Pack	600
MJTRBP03	3" Transition Bolt Pack	720
MJTRBP04	4" Transition Bolt Pack	540
MJTRBP06	6" Transition Bolt Pack	400
MJTRBP08	8" Transition Bolt Pack	184
MJTRBP10	10" Transition Bolt Pack	216
MJTRBP12	12" Transition Bolt Pack	96
MJ BOLT PACKS WITH BLUE BOLTS & NUTS		
MJBP04-BLUE	4" Bolt Pack with BLUE BOLTS	
MJBP06-BLUE	6" Bolt Pack with BLUE BOLTS	
MJBP08-BLUE	8" Bolt Pack with BLUE BOLTS	
MJBP10-BLUE	10" Bolt Pack with BLUE BOLTS	
MJBP12-BLUE	12" Bolt Pack with BLUE BOLTS	
MJBP16-BLUE	16" Bolt Pack with BLUE BOLTS	
MJBP18-BLUE	18" Bolt Pack with BLUE BOLTS	
MJBP20-BLUE	20" Bolt Pack with BLUE BOLTS	
MJBP24-BLUE	24" Bolt Pack with BLUE BOLTS	
GLAND PACKS WITH BLUE BOLTS & NUTS		
GPSTB04-BLUE	4" Gland Pack with BLUE BOLTS	
GPSTB06-BLUE	6" Gland Pack with BLUE BOLTS	
GPSTB08-BLUE	8" Gland Pack with BLUE BOLTS	
GPSTB10-BLUE	10" Gland Pack with BLUE BOLTS	
GPSTB12-BLUE	12" Gland Pack with BLUE BOLTS	
GPSTB14-BLUE	14" Gland Pack with BLUE BOLTS	
GPSTB16-BLUE	16" Gland Pack with BLUE BOLTS	
GPSTB18-BLUE	18" Gland Pack with BLUE BOLTS	
GPSTB20-BLUE	20" Gland Pack with BLUE BOLTS	
GPSTB24-BLUE	24" Gland Pack with BLUE BOLTS	

ACCUCAST PRODUCT LISTING - 2018 ACCESSORIES PIPE FITTINGS - #6

ITEM CODE	ITEM DESCRIPTION	CRATE QTY
MJ RUBBER GASKET		
MJRG02	2" MJ RUBBER GASKET	
MJRG03	3" MJ RUBBER GASKET	
MJRG04	4" MJ RUBBER GASKET	
MJRG06	6" MJ RUBBER GASKET	
MJRG08	8" MJ RUBBER GASKET	
MJRG10	10" MJ RUBBER GASKET	
MJRG12	12" MJ RUBBER GASKET	
MJRG14	14" MJ RUBBER GASKET	
MJRG16	16" MJ RUBBER GASKET	
MJRG18	18" MJ RUBBER GASKET	
MJRG20	20" MJ RUBBER GASKET	
MJRG24	24" MJ RUBBER GASKET	
MJRG30	30" MJ RUBBER GASKET	
MJ TRANSITION RUBBER GASKET		
MJTG02	2" MJ TRANSITION RUBBER GASKET	
MJTG03	3" MJ TRANSITION RUBBER GASKET	
MJTG04	4" MJ TRANSITION RUBBER GASKET	
MJTG06	6" MJ TRANSITION RUBBER GASKET	
MJTG08	8" MJ TRANSITION RUBBER GASKET	
MJTG10	10" MJ TRANSITION RUBBER GASKET	
MJTG12	12" MJ TRANSITION RUBBER GASKET	
UNIVERSAL RUBBER GASKET		
MJUG03	3" UNIVERSAL RUBBER GASKET	
MJUG04	4" UNIVERSAL RUBBER GASKET	
MJUG06	6" UNIVERSAL RUBBER GASKET	
MJUG08	8" UNIVERSAL RUBBER GASKET	
MJUG10	10" UNIVERSAL RUBBER GASKET	
MJUG12	12" UNIVERSAL RUBBER GASKET	
FLANGE RED RUBBER GASKET 1/8"		
FF150RR1/8-02	2" FLANGE RED RUBBER GASKET	
FF150RR1/8-025	2 1/2" FLANGE RED RUBBER GASKET	
FF150RR1/8-03	3" FLANGE RED RUBBER GASKET	
FF150RR1/8-04	4" FLANGE RED RUBBER GASKET	
FF150RR1/8-05	5" FLANGE RED RUBBER GASKET	
FF150RR1/8-06	6" FLANGE RED RUBBER GASKET	
FF150RR1/8-08	8" FLANGE RED RUBBER GASKET	
FF150RR1/8-10	10" FLANGE RED RUBBER GASKET	
FF150RR1/8-12	12" FLANGE RED RUBBER GASKET	
FF150RR1/8-14	14" FLANGE RED RUBBER GASKET	
FF150RR1/8-16	16" FLANGE RED RUBBER GASKET	
DUCT LUG		
DUCLUG	DUCTILE IRON LUG 3/4"	
EYE BOLTS W/O NUT		
BEB3440	3/4 X 4" EYE BOLT W/O NUT	50
BEB3445	3/4 X 4 1/2" EYE BOLT W/O NUT	50
BEB3450	3/4 X 5" EYE BOLT W/O NUT	40
BEB5855	3/4 X 5 1/2" EYE BOLT W/O NUT	40
BEB5840	5/8 X 4" EYE BOLT W/O NUT	50

ACCUCAST PRODUCT LISTING - 2018 ACCESSORIES PIPE FITTINGS - #6

ITEM CODE	ITEM DESCRIPTION	CRATE QTY
T-HEAD BOLT & NUTS CORTEN		
BPTB30	5/8 X 3"	75
BPTB5845	5/8 X 4 1/2"	75
BPTB35	3/4 X 3 1/2"	75
BPTB40	3/4 X 4"	75
BPTB45	3/4 X 4 1/2"	75
BPTB50	3/4 X 5"	50
BPTB55	3/4 X 5 1/2"	50
BPTB60	3/4 X 6"	50
T-HEAD BOLT & NUTS - XYLAN 1424 BLUE COAT		
BPTB30B	5/8 X 3"	75
BPTB35B	3/4 X 3 1/2"	75
BPTB40B	3/4 X 4"	75
BPTB45B	3/4 X 4 1/2"	75
BPTB50B	3/4 X 5"	50
BPTB60B	3/4 X 6"	50
STAINLESS STEEL 304 T-HEAD BOLT & NUTS		
BP35SS304	3/4 X 3 1/2"	75
BP40SS304	3/4 X 4"	75
BP45SS304	3/4 X 4 1/2"	75
ANIT- ROTATIONAL T-HEAD BOLT & NUTS		
ARTB35	3/4 X 3 1/2"	75
ARTB40	3/4 X 4"	75
ARTB45	3/4 X 4 1/2"	75
HEX NUTS		
HEXNUT	HEX NUT 3/4" CORTEN	75
HEXNUT34ZINC	HEX NUT 3/4" ZINC	75
HEXNUT58Z	HEX NUT 5/8" ZINC	100
BPNU	HEX NUT 3/4" BLUE	75
ZINC WASHERS		
WASHERS34	3/4" ZINC WASHER	500
WASHERS58	5/8" ZINC WASHER	500
ZINC COUPLING		
COUP34	3/4" ZINC COUPLING FOR ALL THREAD ROD	40
COUP58	5/8" ZINC COUPLING FOR ALL THREAD ROD	250
COUP38	3/8" ZINC COUPLING FOR ALL THREAD ROD	625
ZINC ALL THREAD ROD / LUG WASHER		
ATR3410	3/4" X 10' ROD	5
ATR3810Z	3/8" X 10' ZINC PLATED ROD	8
ATR5810Z	5/8" X 10' ZINC PLATED ROD	25
800001	3/4" LUG WASHER	50
ELCEN CLAMOS (SOCKET CLAMPS)		
872923	3" SOCKET CLAMP	100
872924	4" SOCKET CLAMP	100
872926	6" SOCKET CLAMP	100
872928	8" SOCKET CLAMP	100
872930	10" SOCKET CLAMP	100
872932	12" SOCKET CLAMP	100

ACCUCAST PRODUCT LISTING - 2018

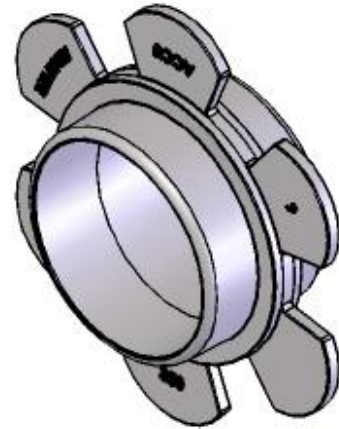
MJ X MJ ADAPTER FOR MJ BELL CONNECTION - #7

ITEM CODE	ITEM DESCRIPTION
	MJ X MJ ACCU ADAPTER

MJ ACCU ADAPTER WITH KIT	
MJA03KIT	3" MJ ACCU ADAPTER W/ KIT
MJA04KIT	4" MJ ACCU ADAPTER W/ KIT
MJA06KIT	6" MJ ACCU ADAPTER W/ KIT
MJA08KIT	8" MJ ACCU ADAPTER W/ KIT
MJA10KIT	10" MJ ACCU ADAPTER W/ KIT
MJA12KIT	12" MJ ACCU ADAPTER W/ KIT

MJ ACCU ADAPTER ONLY	
MJA03	3" MJ ACCU ADAPTER
MJA04	4" MJ ACCU ADAPTER
MJA06	6" MJ ACCU ADAPTER
MJA08	8" MJ ACCU ADAPTER
MJA10	10" MJ ACCU ADAPTER
MJA12	12" MJ ACCU ADAPTER

MJ ACCU ADAPTER KIT ONLY	
MJA03BP	3" MJ ACCU ADAPTER KIT
MJA04BP	4" MJ ACCU ADAPTER KIT
MJA06BP	6" MJ ACCU ADAPTER KIT
MJA08BP	8" MJ ACCU ADAPTER KIT
MJA10BP	10" MJ ACCU ADAPTER KIT
MJA12BP	12" MJ ACCU ADAPTER KIT



ACCUCAST PRODUCT LISTING - 2018

DUCTILE IRON COMPACT MJ FITTINGS ANSI/AWWA C153/A21.53 - #8

Size In.	Item No.	App. Wt. LBS	List Price
BENDS : MJ X MJ 90° (1/4)			
2	MJCB9002	14	66
3	MJCB9003	23	68
4	MJCB9004	27	74
6	MJCB9006	39	121
8	MJCB9008	57	176
10	MJCB9010	89	280
12	MJCB9012	108	377
14	MJCB9014	210	631
16	MJCB9016	264	857
18	MJCB9018	335	1032
20	MJCB9020	400	1439
24	MJCB9024	565	2148
BENDS : MJ X FLANGE 90° (1/4)			
4	MJCFB9004	26	84
6	MJCFB9006	47	150
8	MJCFB9008	68	261
10	MJCFB9010	102	427
12	MJCFB9012	134	614
BENDS : MJ X MJ 45° (1/8)			
2	MJCB4502	13	50
3	MJCB4503	21	61
4	MJCB4504	23	61
6	MJCB4506	32	98
8	MJCB4508	46	143
10	MJCB4510	70	209
12	MJCB4512	86	312
14	MJCB4514	160	491
16	MJCB4516	202	612
18	MJCB4518	250	878
20	MJCB4520	305	938
24	MJCB4524	405	1425
BENDS : MJ X FLANGE 45° (1/8)			
4	MJCFB4504	26	64
6	MJCFB4506	47	109
8	MJCFB4508	68	260
10	MJCFB4510	102	382
12	MJCFB4512	134	570
BENDS : MJ X PE 45° (1/8)			
4	MJCFB4504	19	87
6	MJCFB4506	34	141
BENDS : MJ X MJ 22° (1/16)			
2	MJCB2202	8	70
3	MJCB2203	15	38
4	MJCB2204	18	58
6	MJCB2206	32	90
8	MJCB2208	46	140
10	MJCB2210	64	208
12	MJCB2212	84	273
14	MJCB2214	136	
16	MJCB2216	172	587
18	MJCB2218	255	721
20	MJCB2220	310	980
24	MJCB2224	412	1315

ACCUCAST PRODUCT LISTING - 2018

DUCTILE IRON COMPACT MJ FITTINGS ANSI/AWWA C153/A21.53 - #8

Size In.	Item No.	App. Wt. LBS	List Price
BENDS : MJ X MJ 11° (1/32)			
3	MJCB1103	14	45
4	MJCB1104	16	55
6	MJCB1106	30	93
8	MJCB1108	42	127
10	MJCB1110	58	206
12	MJCB1112	74	256
16	MJCB1116	148	621
18	MJCB1118	205	911
24	MJCB1124	315	1231
TEES : MJ X MJ			
2 X 2	MJCT0202	22	80
3 X 3	MJCT0303	28	91
4 X 3	MJCT0403	30	110
4 X 4	MJCT0404	32	97
6 X 3	MJCT0603	42	134
6 X 4	MJCT0604	46	163
6 X 6	MJCT0606	56	175
8 X 3	MJCT0803	57	214
8 X 4	MJCT0804	60	189
8 X 6	MJCT0806	72	218
8 X 8	MJCT0808	86	263
10 X 4	MJCT1004	78	290
10 X 6	MJCT1006	90	281
10 X 8	MJCT1008	71	329
10 X 10	MJCT1010	120	376
12 X 4	MJCT1204	63	355
12 X 6	MJCT1206	110	355
12 X 8	MJCT1208	125	410
12 X 10	MJCT1210	140	527
12 X 12	MJCT1212	160	525
16 X 6	MJCT1606	228	733
16 X 8	MJCT1608	248	796
16 X 10	MJCT1210	264	527
16 X 12	MJCT1612	280	952
16 X 16	MJCT1616	322	1201
18 X 18	MJCT1818	435	1738
20 X 20	MJCT2020	535	1602
24 X 12	MJCT2412	500	1652
24 X 24	MJCT2424	720	2378
TEES : MJ X FLANGE			
3 X 3	MJCFT03	30	120
4 X 3	MJCFT0403	34	135
4 X 4	MJCFT04	40	127
6 X 4	MJCFT0604	54	202
6 X 6	MJCFT0606	56	202
8 X 4	MJCFT0804	72	235
8 X 6	MJCFT0806	80	244
8 X 8	MJCFT0808	94	312
12 X 4	MJCFT1204	115	445
12 X 6	MJCFT1206	120	469
12 X 8	MJCFT1208	146	521
MJ TAP TEES			
6 X 6	MJCTT0606	42	147

ACCUCAST PRODUCT LISTING - 2018

DUCTILE IRON COMPACT MJ FITTINGS ANSI/AWWA C153/A21.53 - #8

Size In.	Item No.	App. Wt. LBS	List Price
8 X 8	MJCTT0808	45	245
SWIVEL X SWIVEL HYD BEND 90 W/ 2 SWL GLANDS			
6	MJCSB9006	80	233
TEES : MJ X SWIVEL HYDRANT (ANCHOR TEE)			
6 X 6	MJCSH0606	66	202
8 X 6	MJCSH0806	86	253
8 X 8	MJCSH0808	116	384
10 X 6	MJCSH1006	116	321
10 X 8	MJCSH1008	118	427
12 X 6	MJCSH1206	128	365
12 X 8	MJCSH1208	149	547
CROSSES : MJ X MJ			
3 X 3	MJCCR0303	35	123
4 X 4	MJCCR0404	40	209
6 X 4	MJCCR0604	70	228
6 X 6	MJCCR0606	75	256
8 X 4	MJCCR0804	99	361
8 X 6	MJCCR0806	105	265
8 X 8	MJCCR0808	110	279
10 X 8	MJCCR1008	130	424
10 X 10	MJCCR1010	145	447
12 X 8	MJCCR1208	145	497
12 X 12	MJCCR1212	215	785
REDUCERS : MJ X MJ			
3 X 2	MJCR0302	16	81
4 X 2	MJCR0402	16	88
4 X 3	MJCR0403	18	62
6 X 3	MJCR0603	24	83
6 X 4	MJCR0604	24	70
8 X 3	MJCR0803	36	125
8 X 4	MJCR0804	32	96
8 X 6	MJCR0806	36	102
10 X 4	MJCR1004	46	156
10 X 6	MJCR1006	47	132
10 X 8	MJCR1008	50	145
12 X 4	MJCR1204	58	200
12 X 6	MJCR1206	58	174
12 X 8	MJCR1208	57	179
12 X 10	MJCR1210	61	198
16 X 8	MJCR1608	124	437
16 X 10	MJCR1610	124	421
16 X 12	MJCR1612	112	406
24 X 12	MJCR2412	305	1031
SEB REDUCERS : MJ X MJ			
4 X 3	MJCSR0403	17	58
6 X 3	MJCSR0603	24	100
6 X 4	MJCSR0604	25	72
8 X 4	MJCSR0806	30	122
8 X 6	MJCSR0806	35	122
10 X 4	MJCSR1004	43	164
10 X 6	MJCSR1006	46	171
12 X 4	MJCSR1204	60	234
12 X 6	MJCSR1206	58	245
12 X 8	MJCSR1208	54	191
12 X 10	MJCSR1210	59	231

ACCUCAST PRODUCT LISTING - 2018

DUCTILE IRON COMPACT MJ FITTINGS ANSI/AWWA C153/A21.53 - #8

Size In.	Item No.	App. Wt. LBS	List Price
LEB REDUCERS : MJ X MJ			
4 X 3	MJCLR0403	18	67
6 X 4	MJCLR0604	25	110
8 X 4	MJCLR0804	34	125
8 X 6	MJCLR0806	32	101
10 X 4	MJCLR1004	43	165
10 X 6	MJCLR0806	42	101
12 X 4	MJCLR0806	60	101
12 X 6	MJCLR0806	58	101
MJ X FLANGE REDUCER			
6 X 4	MJCFR0604	23	70
10 X 8	MJCFR1008	63	256
MJ LATERAL (WYES)			
4 X 4	MJCL0404	51	
6 X 6	MJCL0606	79	240
8 X 4	MJCL0804	106	331
8 X 6	MJCL0806	92	277
8 X 8	MJCL0808	120	350
12 X 12	MJCL1212	272	927
ADAPTER : MJ X FLANGE			
3	MJCFA03	14	61
4	MJCFA04	23	70
6	MJCFA06	30	97
8	MJCFA08	46	147
10	MJCFA10	60	256
12	MJCFA12	98	328
MJ LONG SLEEVES			
2	MJCLS02	7	76
3	MJCLS03	18	57
4	MJCLS04	20	65
6	MJCLS06	36	109
8	MJCLS08	46	179
10	MJCLS10	62	213
12	MJCLS12	76	288
14	MJCLS14	76	435
16	MJCLS16	170	551
18	MJCLS18	200	705
20	MJCLS20	255	851
24	MJCLS24	335	1121
36	MJCLS36	1016	3297
MJ SHORT SLEEVES			
3	MJCSS03	13	48
4	MJCSS04	17	46
6	MJCSS06	28	82
8	MJCSS08	38	107
10	MJCSS10	49	194
12	MJCSS12	56	218
MJ PLUGS : SOLID			
3	MJCP03	10	39
4	MJCP04	10	33
6	MJCP06	22	64
8	MJCP08	32	96
10	MJCP10	40	169
12	MJCP12	55	166
16	MJCP16	95	440

ACCUCAST PRODUCT LISTING - 2018

DUCTILE IRON COMPACT MJ FITTINGS ANSI/AWWA C153/A21.53 - #8

Size In.	Item No.	App. Wt. LBS	List Price
18	MJCP18	121	546
20	MJCP20	135	718
24	MJCP24	175	996
MJ PLUGS TAPPED : SOLID			
3	MJCTP03	8	68
4	MJCTP04	10	62
6	MJCTP06	16	93
8	MJCTP08	26	125
10	MJCTP10	36	198
12	MJCTP12	46	195
PUSH ON PLUGS			
4	POP04	12	43
6	POP06	18	70
8	POP08	29	95
12	POP12	46	170
MJ CAPS : SOLID			
2	MJCC02	4	51
3	MJCC03	8	26
4	MJCC04	9	27
6	MJCC06	17	48
8	MJCC08	22	80
10	MJCC10	32	101
12	MJCC12	42	151
16	MJCC16	92	307
18	MJCC18	114	375
20	MJCC20	125	485
24	MJCC24	166	666
MJ CAPS TAPPED : SOLID			
3	MJCTC03	8	56
4	MJCTC04	9	57
6	MJCTC06	15	78
8	MJCTC08	22	109
10	MJCTC10	32	130
12	MJCTC12	42	181
HYDRANT ADAPTER : SWIVEL X SOLID (ANCHOR COUPLING)			
4 X 13	MJCSA04	29	112
6 X 13	MJCSA06	46	200
8 X 13	MJCSA08	54	256
12 X 13	MJCSA12	120	676
SWIVEL GLANDS			
6	MJCSHG06	9	47
8	MJCSHG08	12	60

PUSH ON

PLUGS

4	POP04	12	43
6	POP06	18	70
8	POP08	29	95
12	POP12	46	170

ACCUCAST PRODUCT LISTING - 2018

DUCTILE IRON FLANGED MJ FITTINGS ANSI/AWWA C110/A21.10 - #9

Size In.	Item No.	App. Wt. LBS	List Price
90° (1/4) BEND FLANGED			
2	FBD9002	14	76
3	FBD9003	25	88
4	FBD9004	45	137
6	FBD9006	65	212
8	FBD9008	105	349
10	FBD9010	165	554
12	FBD9012	235	722
45° (1/8) BEND FLANGED			
2	FBD4502	12	81
3	FBD4503	20	68
4	FBD4504	40	122
6	FBD4506	55	188
8	FBD4508	90	288
10	FBD4510	130	466
12	FBD4512	195	610
CONCENTRIC REDUCER FLANGED			
4x3	FRD0403	30	93
6x3	FRD0603	40	153
6x4	FRD0604	45	146
8x3	FRD0603	60	153
8x4	FRD0804	65	219
8x6	FRD0806	75	239
10x4	FRD1004	85	327
10x6	FRD1006	90	312
10x8	FRD1008	110	390
12x4	FRD1204	120	459
12x6	FRD1206	130	462
12x8	FRD1208	145	517
12x10	FRD1210	170	585
TEE FLANGED			
2x2	FTD0202	20	95
3x2	FTD0302	34	134
3x3	FTD0303	40	126
4x3	FTD0403	65	230
4x4	FTD0404	65	250
6x3	FTD0603	85	
6x4	FTD0604	90	345
6x6	FTD0606	95	312
8x6	FTD0806	155	450
8x8	FTD0808	155	521
10x10	FTD1010	270	792
12x12	FTD1212	385	1152
CROSSES : FLANGED			
4 X 4	FXD0404	80	263
6 X 6	FXD0606	120	427
8 X 8	FXD0808	195	639
20 X 20	MJCFC2020	1015	4179

ACCUCAST PRODUCT LISTING - 2018

DUCTILE IRON FLANGED MJ FITTINGS ANSI/AWWA C110/A21.10 - #9

Size In.	Item No.	App. Wt. LBS	List Price
BLIND FLANGE			
3	FLBD03	9	36
4	FLBD04	16	63
6	FLBD06	25	96
8	FLBD08	42	161
10	FLBD10	63	242
12	FLBD12	85	326
BLIND FLANGE TAPPED			
3	FLBDT03	9	65
4	FLBDT04	16	92
6	FLBDT06	25	125
8	FLBDT08	42	190
10	FLBDT10	63	271
12	FLBDT12	85	355
COMPANION FLANGES CAST IRON THREADED			
2	FCC02	4	POA
3	FCC03	8	POA
4	FCC04	12	POA
6	FCC06	17	POA
8	FCC08	26	POA
FLANGE FILLER 1/2"			
4	FF04050	7	POA
6	FF06050	9	POA
8	FF08050	12	POA
10	FF10050	15	POA
12	FF12050	22	POA
FLANGE FILLER 1"			
4	FF04100	13	POA
6	FF06100	17	POA
8	FF08100	24	POA
10	FF10100	31	POA
12	FF12100	44	POA
FLANGE FILLER 1 1/2"			
10	FF10150	46	POA
12	FF12150	66	POA
FLANGE FILLER 2"			
4	FF04200	26	POA
6	FF06200	34	POA
8	FF08200	48	POA
10	FF10200	63	POA
12	FF12200	89	POA

ACCUCAST PRODUCT LISTING - 2018 JOINT RESTRAINTS - #10

ITEM CODE	ITEM DESCRIPTION	CRATE QTY	WT
ACCULO-K Mechanical Joint Restraint for Ductile Iron Pipe			
3	ALDI03		7
4	ALDI04	135	9
6	ALDI06	135	13
8	ALDI08	135	17
10	ALDI10	60	23
12	ALDI12	60	31
14	ALDI14		54
16	ALDI16		60
18	ALDI18		69
20	ALDI20		72
24	ALDI24		120

ACCULO-K Mechanical Joint Restraint Packaged With Accessories

3	ALDIPK03		10
4	ALDIPK04		12
6	ALDIPK06	96	18
8	ALDIPK08	72	22
10	ALDIPK10		30
12	ALDIPK12		39
14	ALDIPK14		64
16	ALDIPK16		71
18	ALDIPK18		80
20	ALDIPK20		84
24	ALDIPK24		135



ACCULO-K Mechanical Joint Restraint for C900/C905/IPS PVC Pipe

3	ALPV03		7
4	ALPV04	135	9
6	ALPV06	135	13
8	ALPV08	135	17
10	ALPV10	60	23
12	ALPV12	60	28
14	ALPV14		50
16	ALPV16		60
18	ALPV18		65
20	ALPV20		76
24	ALPV24		98

ACCULO-K Mechanical Joint Restraint for C900/C905/IPS PVC Pipe Packaged With Accessories

3	ALPVPK03		10
4	ALPVPK04		12
6	ALPVPK06	96	18
8	ALPVPK08	72	23
10	ALPVPK10		31
12	ALPVPK12		37
14	ALPVPK14		60
16	ALPVPK16		70
18	ALPVPK18		75
20	ALPVPK20		88
24	ALPVPK24		113

ACCUCAST PRODUCT LISTING - 2018

JOINT RESTRAINTS - #10

ITEM CODE	ITEM DESCRIPTION	CRATE QTY	WT
-----------	------------------	--------------	----

JOINT RESTRAINTS (STARGRIP) AVAILABLE IN BELOW SIZES

Series 3000 STARGRIP® Mechanical Joint Restraint

NOM SIZE	ITEM CODE	WT
3	SGDP03	7
14	SGDP14	54
20	SGDP20	72

**Series 3000P STARGRIP® Mechanical Joint Restraint
Packaged With Accessories**

3	SGDPPK03	10
14	SGDPPK14	64
20	SGDPPK20	84

Series 4000 PVC STARGRIP® Mechanical Joint Restraint for C900/C905/IPS PVC Pipe

14	PVC4014	50
18	PVC4018	65
20	PVC4020	76
30	PVC4030	173
36	PVC4036	219

**Series 4000P PVC STARGRIP® Mechanical Joint Restraint for C900/C905/IPS PVC Pipe
Packaged With Accessories**

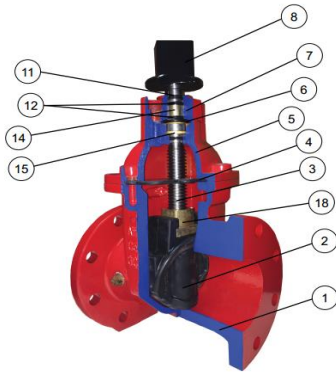
NOM	C900/905 PVC PIPE	
14	PVCPK4014	60
18	PVCPK4018	75
20	PVCPK4020	88
30	PVCPK4030	217
36	PVCPK4036	272

ACCUCAST PRODUCT LISTING - 2018

GATE VALVE PRODUCTS - #11

GATE VALVES AWWA C515 STAINLESS STEM/BOLTS

ITEM CODE		APPROVAL		
		FM	UL	NSF 61
	THREADED			
VALTR02	2"			
VALTR025	2 1/2"			
VALTR03	3"			
	MJ X MJ			
VALMJ02	2"	STEM CAP		Y
VALMJ03	3"		Y	Y
VALMJ04	4"		Y	Y
VALMJ06	6"		Y	Y
VALMJ08	8"		Y	Y
VALMJ10	10"		Y	Y
VALMJ12	12"		Y	Y
	MJ X FLANGE			
VALMJFL03	3"	STEM CAP	Y	Y
VALMJFL04	4"		Y	Y
VALMJFL06	6"		Y	Y
VALMJFL08	8"		Y	Y
VALMJFL10	10"		Y	Y
VALMJFL12	12"		Y	Y
	FLANGE X FLANGE			
VALFL02	2"	Y		Y
VALFL03	3"	Y	Y	Y
VALFL04	4"	Y	Y	Y
VALFL06	6"	Y	Y	Y
VALFL08	8"	Y	Y	Y
VALFL10	10"	Y	Y	Y
VALFL12	12"	Y	Y	Y



Catalog Part	Description	Material	Material Standard
1	Valve Body	Ductile Iron	ASTM A536,65-45-12
2	Resilient Wedge Disc	Ductile Iron+EPDM	ASTM A536,65-45-12/D2000
3	Stem	Stainless Steel	AISI 304/316/420/431
4	Bonnet Gasket	EPDM/NBR	ASTM D2000
5	Bonnet	Ductile Iron	ASTM A536,65-45-12
6	O-Ring	NBR	ASTM D2000
7	Gland	Ductile Iron	ASTM A536,65-45-12
8	Stem Cap	Ductile Iron	ASTM A536,65-45-12
11	Ring Wiper	EPDM/NBR	ASTM D2000
12	O-Ring	EPDM/NBR	ASTM D2000
14	Axis Guide	Brass	ASTM C37710
15	Washer	Brass	ASTM C37710
18	Wedge Nut	Brass	ASTM C37710



ACCUCAST PRODUCT LISTING - 2018 ANCILLARY PRODUCTS - #12

ITEM CODE	ITEM DESCRIPTION	INNER BOX	CRATE QTY
ACCUCAST PIPE LUBE (PHEONIX)			
LUB - QUART	QUARTS	12	600
LUB - 1 GAL	1 GALLON	4	144
LUB - 5 GAL	5 GALLON		36
LUB - DRUM	55 GALLON DRUM		2
BLUE PIPE LUBE			
BLUELUBE-QUART	QUARTS	12	600
BLUELUBE-1 GAL	1 GALLON	4	144
BLUELUBE-5 GAL	5 GALLON		36
CAUTION DETECTABLE TAPES: WATER/SEWER/GAS/RECLAIM/FORCE MAIN			
DT2X1000BLUE	2" x 1000' WATER	12	
DT2X1000GREEN	2" x 1000' SEWER	12	
DT2X1000YELLOW	2" x 1000' GAS	12	
DT2X1000PURPLE	2" x 1000' RECLAIM WATER PURPLE ***	12	
DT2X1000BROWN	2" x 1000' FORCE MAIN BROWN ***	12	
DT2X1000ELEC	2" x 1000' ELECTRIC ***	12	
DT2X1000FIRE	2" x 1000' FIRE PROTECTION ***	12	
DT3X1000BLUE	3" x 1000' WATER	8	
DT3X1000GREEN	3" x 1000' SEWER	8	
DT3X1000GAS	3" x 1000' GAS	6	
DT3X1000BROWN	3" x 1000' FORCE MAIN BROWN ***	6	
DT3X1000PURPLE	3" x 1000' RECLAIM WATER PURPLE ***	6	
DT4X1000BLUE	4" x 1000' WATER	4	
DT4X1000GREEN	4" x 1000' SEWER	4	
DT6X1000BLUE	6" x 1000' WATER	4	
DT6X1000GREEN	6" x 1000' SEWER	4	
DT6X1000GAS	6" x 1000' GAS	4	
DT6X1000PURPLE	6" x 1000' RECLAIM WATER	4	
DT6X1000BROWN	6" x 1000' FORCE MAIN BROWN ***	4	
DT6FMGREEN	6" x 1000' FORCE MAIN GREEN ***	4	
DT12X1000BLUE	12" x 1000' WATER	2	
DT12X1000GREEN	12" x 1000' SEWER	2	
DT12X1000PURPLE	12" x 1000' RECLAIM WATER PURPLE ***	2	
DT12" BROWN	12" x 1000' FORCE MAIN BROWN ***	2	
CAUTION NON - DETECTABLE TAPES			
NDTBLUE6	6" x 1000' WATER	4	
NDTGREEN6	6" x 1000' SEWER	4	
CAUTION YELLOW TAPES			
CT3X300CAUTION	3" x 300' CAUTION	24	
CT3X1000CAUTION	3" x 1000' CAUTION	18	
CT3X500REIN	3" x 500' CAUTION REINFORCED 325 LBS BREAK POINT	5	
TAPE	2" x 100' TAPE FOR PIPE 10mil	24	
TAPE04	4" x 100' TAPE FOR PIPE 10mil	12	
TAPE06	6" x 100' TAPE FOR PIPE 10mil	12	
DUCTAPE	2" x 100' DUC TAPE	24	



ACCUCAST PRODUCT LISTING - 2018 ANCILLARY PRODUCTS - #12

ITEM CODE	ITEM DESCRIPTION	INNER BOX	CRATE QTY
KRYLON MARKING PAINT APWA WATER BASED 17oz			
MPBLUE	BLUE	12	720
MPGREEN	GREEN	12	720
MPWHITE	WHITE	12	720
MPRED	RED	12	720
MPYELLOW	YELLOW	12	720
MPPURPLE	PURPLE	12	720
MPFLBLUE	BLUE FLURO	12	720
MPFLGREEN	GREEN FLURO	12	720
MPFLORANGE	ORANGE FLURO	12	720
MPWAND	MARKING PAINT WAND 34"	1	
BRASS KEY FOR METER BOX			
872902	BRASS KEY	50	
MARKING FLAG 21" WIRE			
FLAGWATER	BLUE - WATER LINE BELOW	1000	BOX
FLAGSEWER	GREEN - SEWER LINE BELOW	1000	BOX
FLAGGAS	YELLOW - GAS LINE BELOW	1000	BOX
FLAGWHITE	WHITE FLAG - NO MARKING	1000	BOX
TRACER WIRE SOLID HF CCS - BLUE/ GREEN/ RED/ YELLOW			
TWBLUE16G	16 GAUGE BLUE HF CCS 500' Spool		324
TWGREEN16G	16 GAUGE GREEN HF CCS 500' Spool		324
TWBLUE14G	14 GAUGE HF CCS 500' Spool		216
TWGREEN14G	14 GAUGE GREEN HF CCS 500' Spool		216
TWBLUE12G	12 GAUGE HF CCS 500' Spool		144
TWGREEN12G	12 GAUGE GREEN HF CCS 500' Spool		144
TWBLUE10G	10 GAUGE HF CCS 500' Spool		1
TWGREEN10G	10 GAUGE GREEN HF CCS 500' Spool		1
TW14B2500	14 GAUGE HF CCS 2500' Spool		
TW12B2500	12 GAUGE HF CCS 2500' Spool		
TWCONNECT	TRACER WIRE CONNECTOR	50	600
WATER TREATMENT CHLORINE			
DRYTEC5	DRY TEC GRANULAR 5 Lbs	6	216
DRYTEC25	DRY TEC GRANULAR 25 Lbs	1	36
DRYTEC50	DRY TEC GRANULAR 50 Lbs	1	24
DRYTEC100	DRY TEC GRANULAR 100 Lbs	1	16
HYDRANT TRAFFIC MARKERS & PADS			
MARKERBLUE	TRAFFIC MARKER	50	Blue
BPAD0404	BUTYL PAD 4 X 4"	50	
EPOXY1240-41	EPOXY ADHESIVE KIT SET 22 oz	6	



ACCUCAST PRODUCT LISTING - 2018 ANCILLARY PRODUCTS - #12

ITEM CODE	ITEM DESCRIPTION	INNER BOX	CRATE QTY
POLYWRAP 8 MIL- BLACK PRINTED			
WRAP18X200	18" X 200' -	PIPE SIZE 3", 4" 6"	25
WRAP18X200UP	18" X 200' - UNPRINTED	3", 4" 6"	25
WRAP18X200PER	18" X 200' - PERFORATED	3", 4" 6"	25
WRAP29X200	29" X 200' -	8", 10", 12"	25
WRAP29X200UP	29" X 200' - UNPRINTED	8", 10", 12"	25
WRAP37X200	37" X 200' -	14", 16"	25
WRAP48X200	48" X 200' -	18"	25
WRAP54X200	54" X 200' -	24"	25
WRAP67X140	67" X 140' -	30"	16
WRAP81X200	81" X 200' -	36"	16
HYDRAULIC CEMENT			
QUADPLUG50	QUAD PLUG 50 Lbs	45 Sec	36
VALVE BOX CONCRETE ROUND PAD			
VALVEPAD	VALVE BOX PAD		36
PIPE EXTENSION FOR DALLAS SHORTY VALVE BOX			
PIPE0610	PIPE CI NO HUB 6 X 10'		18
RAM-NEK STRIP & COIL SEALANT			
RNS002	1" X 2.5' STRIP	35	24
RNS004	1 1/2" X 3.5' STRIP	20	24
RNC001	3/4" X 14.5' COIL	9	45
RNC001	1 1/4" X 14.5' COIL	5	45
BUTYL-NEK COIL SEALANT			
BNC001	3/4" X 14.5' COIL	9	45
MANHOLE STEPS			
MHS4501	MANHOLE STEP 004-501-DF BLACK	30	750
BRASS METER FLANGE KITS WITH GASKET AND BOLTS			
BMFDKIT15	1 1/2" BRASS METER FLANGE DUAL KIT	2	
BMFDKIT20	2" BRASS METER FLANGE DUAL KIT	2	
BMFSKIT15	1 1/2" BRASS METER FLANGE SINGLE KIT	1	
BMFSKIT20	2" BRASS METER FLANGE SINGLE KIT	1	
BRASS METER FLANGES /GASKET & BOLTS			
BMF015	1 1/2" BRASS METER FLANGE ONLY	10	
BMF020	2" BRASS METER FLANGE ONLY	10	
BMBP015	1 1/2" BRASS METER GASKET & BOLTS PACK	50	
BMBP020	2" BRASS METER GASKET & BOLTS PACK	50	
BRASS METER COUPLINGS			
BMCOUP34	3/4" BRASS METER COUPLING	100	
BMCOUP10	1" BRASS METER COUPLING	70	
BMCOUP20	2" BRASS METER COUPLING	18	

