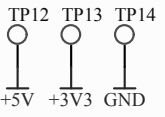
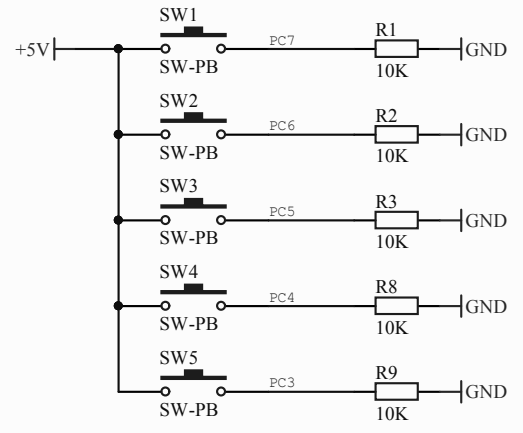
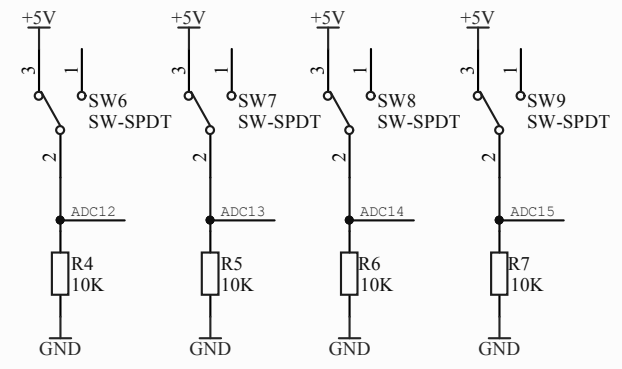
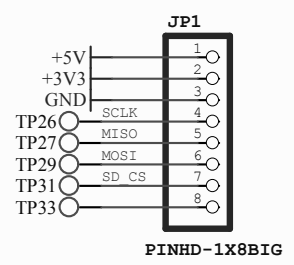
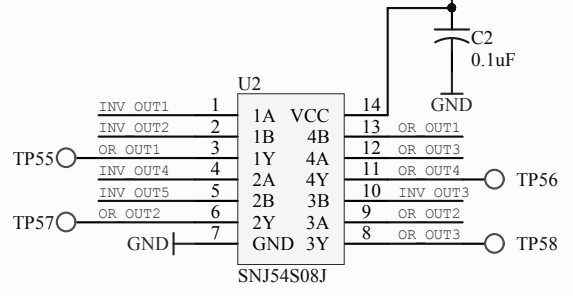
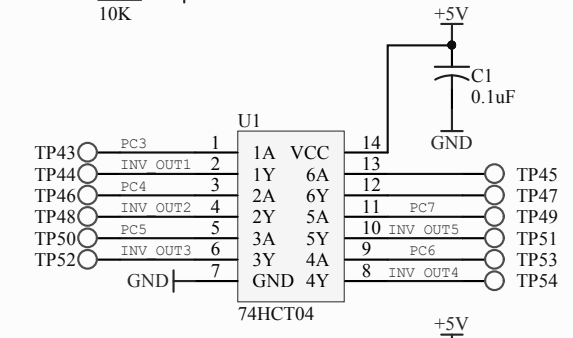
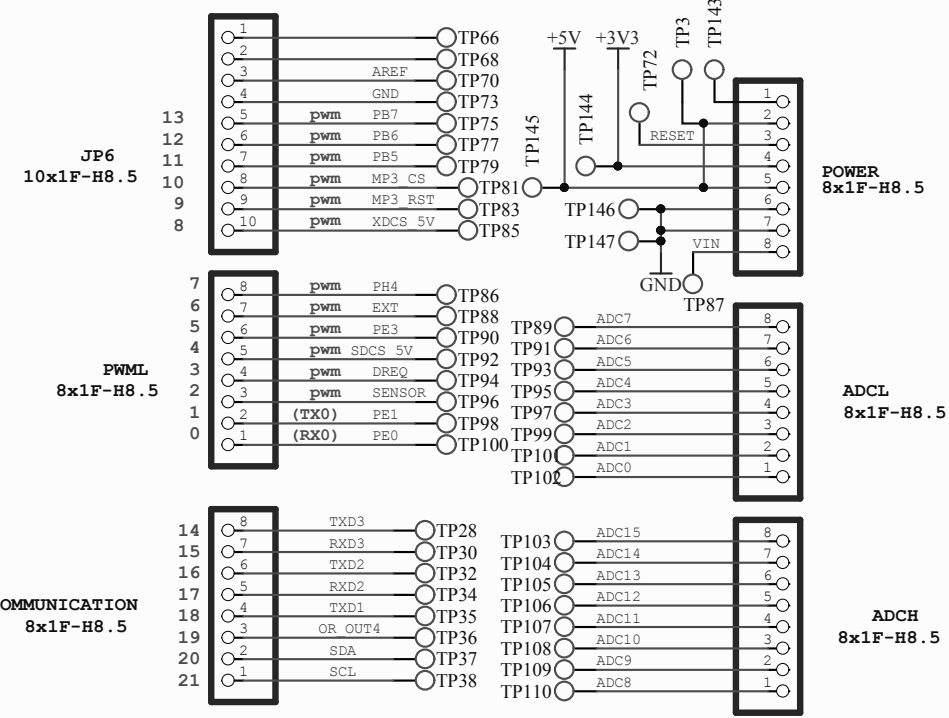


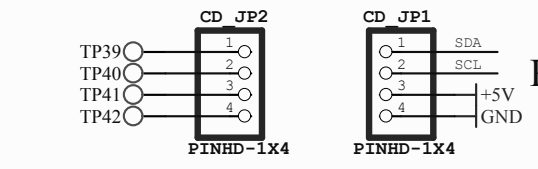
REV	DESCRIPTION	DATE
A	INITIAL PROTOTYPE RELEASE	SEPT2014



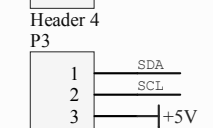
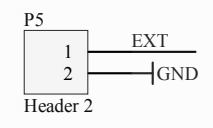
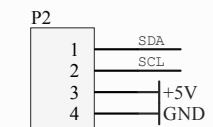
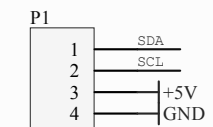
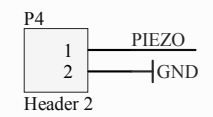
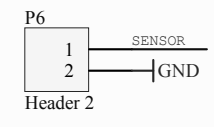
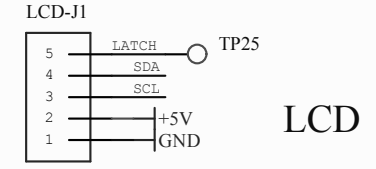
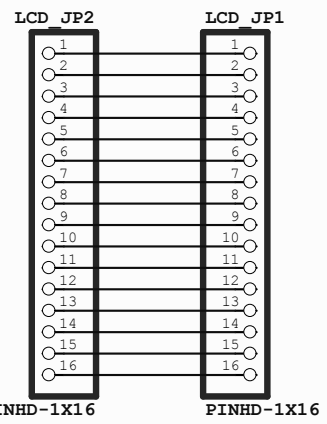
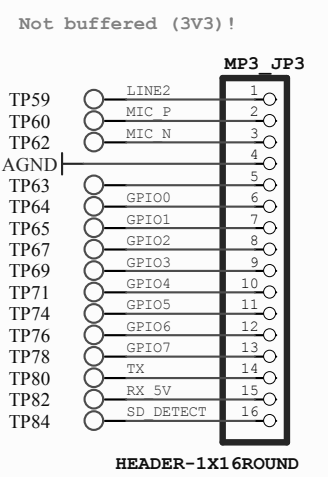
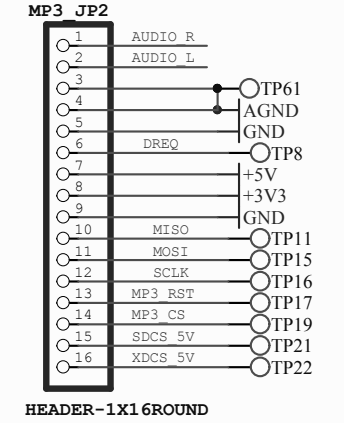
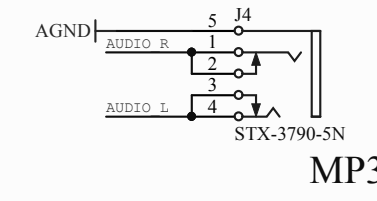
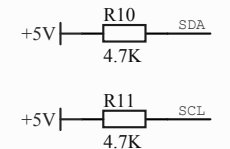
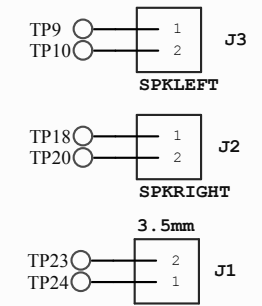
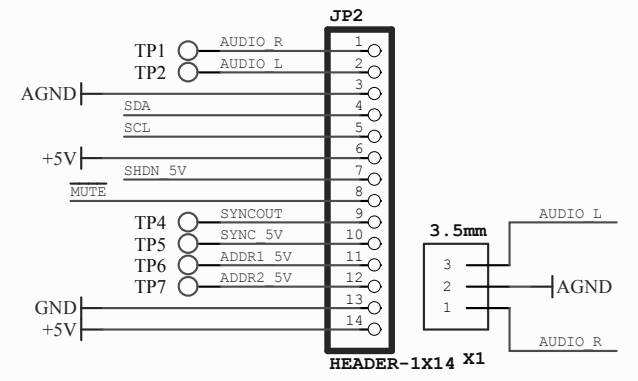
ARDUINO MEGA



MICROSD CARD



MAX9744 - CLASS D AMP



RTC

© COPYRIGHT 2014 ALL RIGHTS RESERVED
 This document contains information proprietary to **BRIAN TICE** and is not to be reproduced without written consent

Approval		Customer	Revision	
Eng:	Date	BRIAN TICE	Number:	Revision:
AB	SEPT2014		0001	A
AB	SEPT2014			
Chk:	SEPT2014	Size: B	Date: SEPT2014	Sheet 1 of 1

BOYLE ADAM BOYLE
 4347 MARYLAND ST
 SAN DIEGO, CA 92103
 916-412-7382