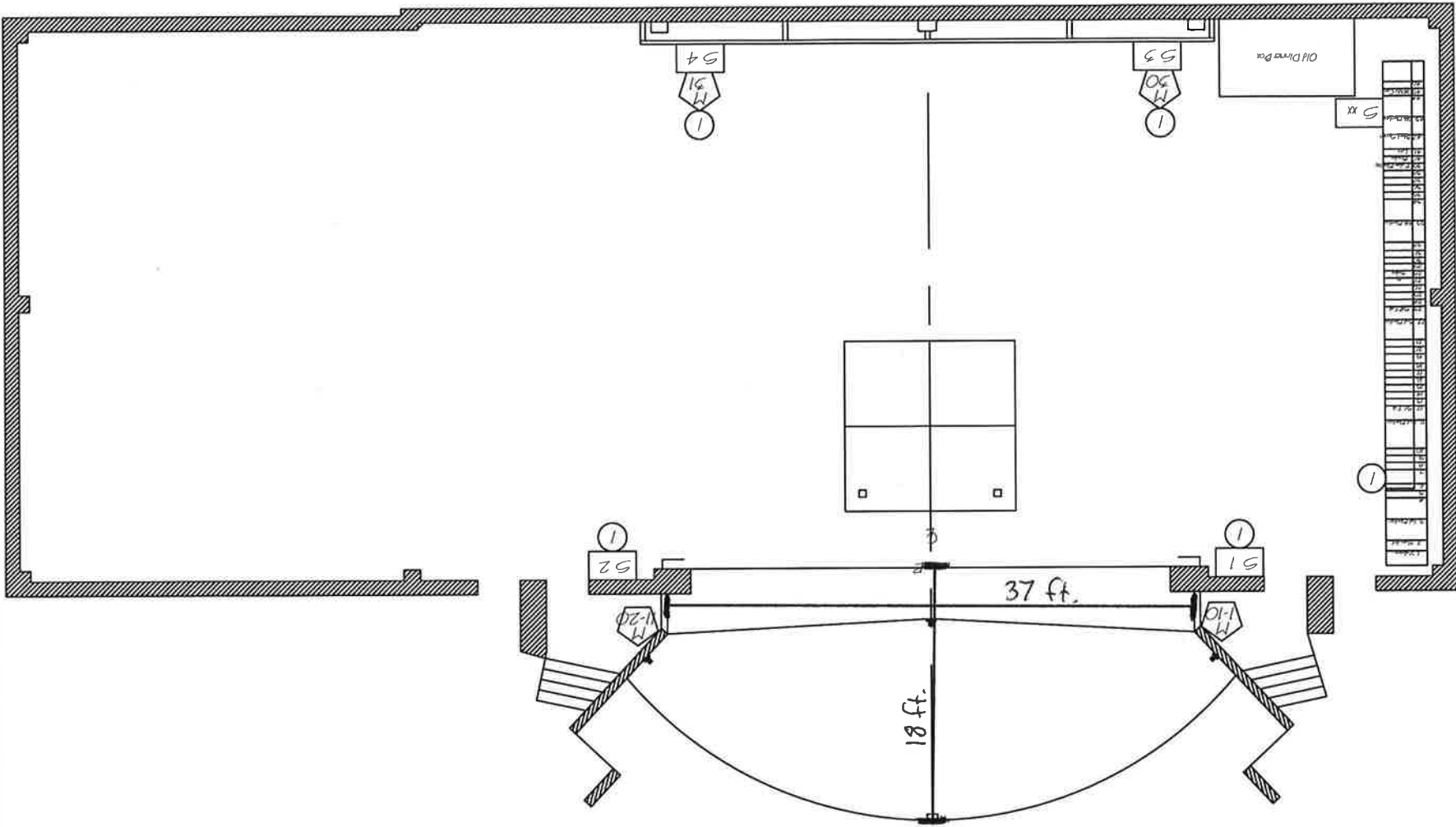


PRODUCED BY AN AUTODESK EDUCATIONAL PRODUCT

PRODUCED BY AN AUTODESK EDUCATIONAL PRODUCT



AUDITORIUM	
10/23/2008	3/32" = 1'-0"
DRAFT BY: E. SANDON	
USF	