



COMMERCIAL WATER ENHANCEMENT

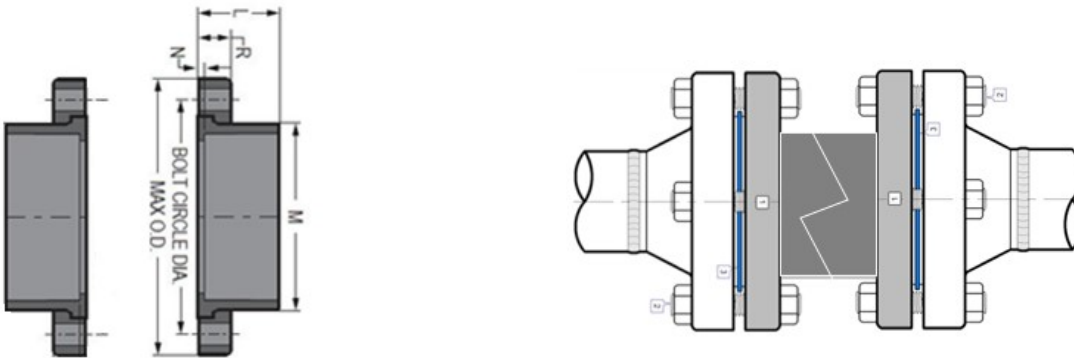
For 4" to 10" Water Line

PRODUCT SPECIFICATION SHEET



Product Description

This Commercial Water Enhancement product is an in-line water conditioning and structuring device. The product is constructed of Schedule 80 PVC pipe and fittings. The unit contains flow tubes with frequency infused glass marbles and multiple cartridges containing 14 different photonicly active minerals and spring water. It operates in a non-sacrificial manner, using the principle of frequency infusion to impart its cleansing and mineral enhancing qualities to the water flowing through the unit. The flow tubes in the unit will not freeze. However, care should be taken to insulate any exposed water line from exposure to freezing. The product comes with flanged end fittings in either PVC or stainless steel.



Pipe Size	Overall Length	Main Body	Flange Width	Interior Construction	Maximum Operating Pressure	Average GPM	Weight	Weight with PVC Flanges	Weight with Steel Flanges
4"	39.0"	8.0"	9.0"	PVC Sch 80	140 PSI	500	40 lb	46 lb	55 lb
6"	30.5"	10.0"	11.5"	PVC Sch 80	140 psi	1100	66 lb	66 lb	78 lb
8"	42.0"	12.0"	14.0"	PVC Sch 80	140 psi	1900	95 lb	111 lb	132 lb
10"				Custom fit					

Size	L	M	N	R	Bolt Circle Dia.	No. of Bolt Holes	Bolt Size	Min. Bolt Length	Max O.D.	Approx. Wt. (Lbs.)
4	2-1/2	5-1/4	1/4	1-1/8	7-1/2	8	5/8	3-1/2	9	2.68
6	3-3/8	7-9/16	7/16	1-9/32	9-1/2	8	3/4	4	11	4.54
8	4-3/8	9-5/16	9/32	1-3/8	11-3/4	8	3/4	4-1/2	13-1/2	6.69
10	5-11/16	11-3/4	21/32	1-5/8	14-1/4	12	7/8	5	16	11.45

Installation

It is preferred to install the unit horizontally. If a vertical installation is required, the water should enter at the top and flow down toward to the outlet. Installation is bi-directional. Please refer installation to a certified installer.