



Control Mount
Instruction Manual

CM-IW2000 V2

Introduction

The iPort® Control Mount is an in-wall mounting platform system that allows an iOS device to become an integral part of your home control system through wireless applications. Before installing and using the CM-IW2000 V2, please read and follow all of the instructions in this manual carefully.

System Capabilities:

- Rigidly supports iPad and provides an elegant appearance
- Charges iPad while it is mounted

iPort Control Mount Box Contents:

- (1) iPort in-wall mounting system
- (1) Power wall plate
- (1) Regulated power supply
- (1) Installation cut-out template
- (1) Instruction manual
- (1) Suction cup removal tool
- (1) Charging circuit board assembly
- (10) Machine screws with integral washers

Required Tools

The following tools are required to install the iPort:

- #1 Phillips screwdriver
- #2 Phillips screwdriver
- Wire cutters and wire strippers
- Sheet rock saw (for retrofitting into an existing wall)

Selecting an Installation Location

The Control Mount is designed for use in normal interior environments. When selecting location for the Control Mount, please consider the following:

- Do not use the Control Mount outside or in a humid or wet environment. It is not waterproof or water-resistant.
- The Control Mount cut-out must have enough depth within the wall cavity for the Control Mount and its connections.
- Check for a strong Wi-Fi signal at the mounting location using the iPad that is to be installed in the Control Mount.

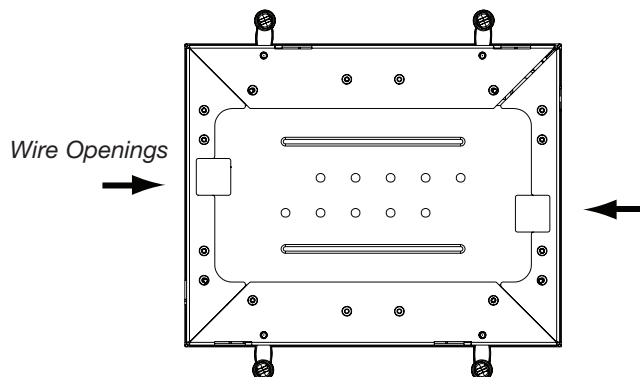


Figure 1: Rear Connection

Installation Preparation

The Control Mount features an integral Roto-Lock® mounting system for quick mounting directly into existing walls. Once the hole is cut and the cables have been run, you can install the Control Mount into the wall in a matter of seconds.

1. Determine the location for the Control Mount and the wall plate.
2. Perform an obstruction survey to ensure there are no studs, conduit, pipes, heating ducts, or air returns that will interfere with the Control Mount.
3. Find the cut-out template provided in the Control Mount packaging. Place in appropriate location between wall studs. Verify there are no horizontal fire blocks within cut out area. Place level on template to assure a level opening. Position the template where the Control Mount is to be located and pencil an outline on the wall.

NOTE: If you are unsure about obstructions, drill a small hole in the center of the outline and insert a coat hanger wire into the hole to feel around for possible obstructions.

4. Cut the opening using a drywall saw.
5. After cutting the opening, make sure the edges of the opening are smooth so the frame flange will rest flat against wall.

iPort Connection and Installation

See Figure 3

1. Before making connections, run a length of power wire through the wall from the Control Mount location to the power wall plate location, as shown in Figure 3. The wall plate can be located up to 200 feet from the control mount. We recommend 18 AWG 2 conductor wire which can provide power over distances up to 200 ft. (CAT wire may be used if using all 8 conductors, dividing into 2 groups of 4 conductors which will provide power up to 120 feet. Remove the RJ-45 on both ends to group conductors together).
2. Terminate conductors on the power wire into the 2-pin Phoenix Connector on the Charging Circuit Board.
3. Terminate conductors on the power cable into the 2-pin Phoenix Connector on the back of the Wall Plate. Wall Plate can be screwed directly into a wall, drywall will need to be cut to allow power cable to exit the wall and for the Wall Plate PCB to recess into the wall.
4. Plug in the Control Mount power supply to the front of the wall plate. Plug in the other side of the power supply to a power receptacle.

WIRE SIZING CHART

MAX LENGTH	GAUGE
30'	24 AWG
60'	22 AWG
90'	20 AWG
120'	18 AWG
150'	16 AWG

*Additional wire not included

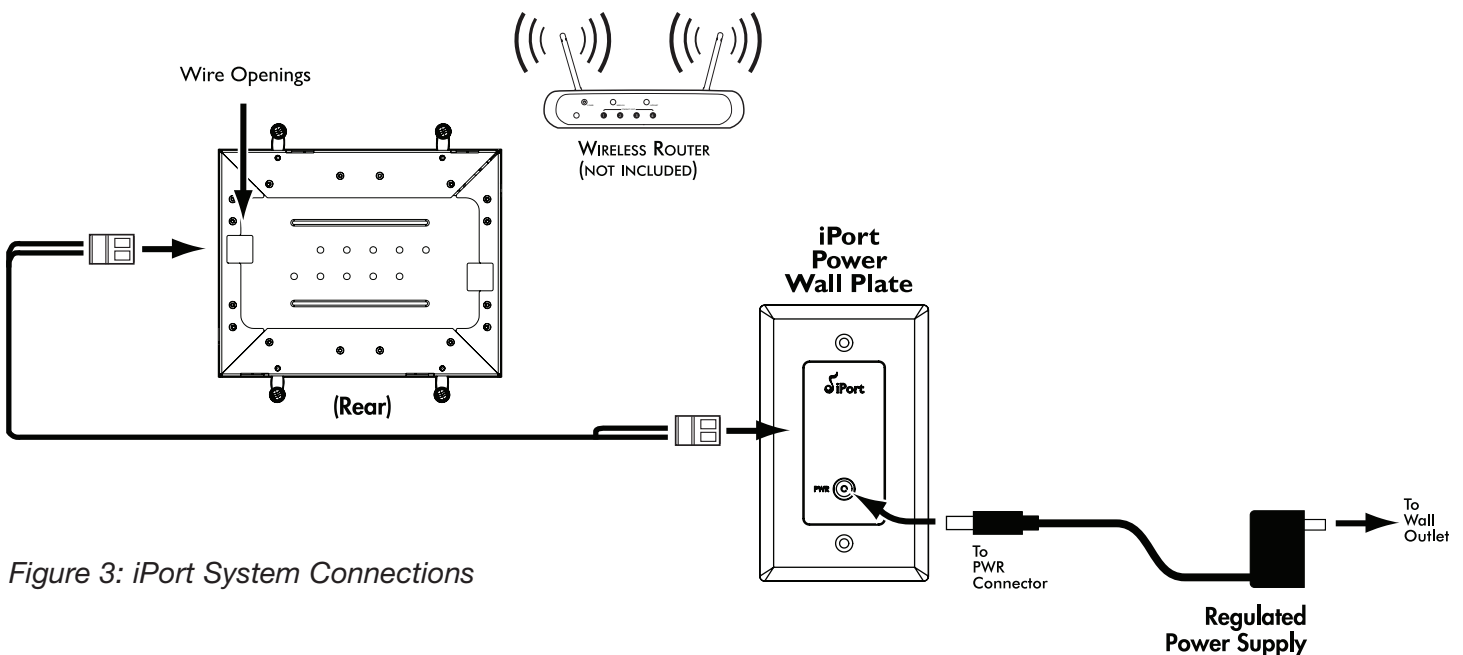


Figure 3: iPort System Connections

5. Prior to placing the mounting frame into the wall, pull a sufficient length of the wire through the wire opening in the side of the mounting frame, as shown in figure 4.

Note: Tie a knot in the wire to allow the wire to catch on the mounting frame to avoid falling into the wall cavity.

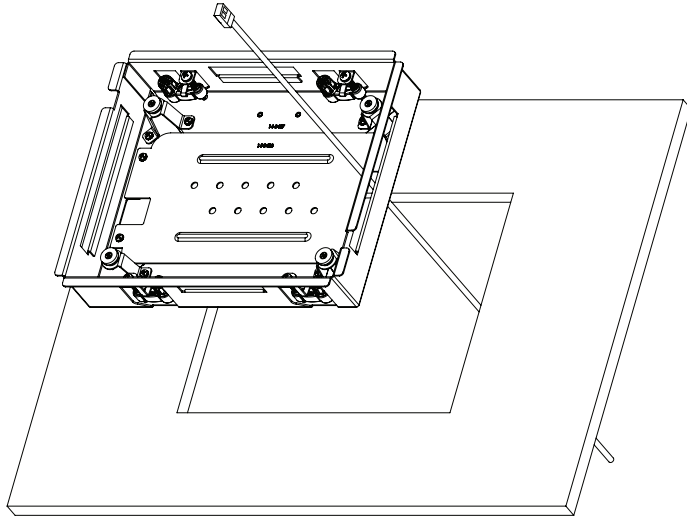


Figure 4: Mounting Frame

8. Mount iPad to the bezel by placing iPad into nesting area on rear of bezel and attach metal retainer with ten (10) machine screws and washers as shown in figure 6 with the #1 Phillips screwdriver.

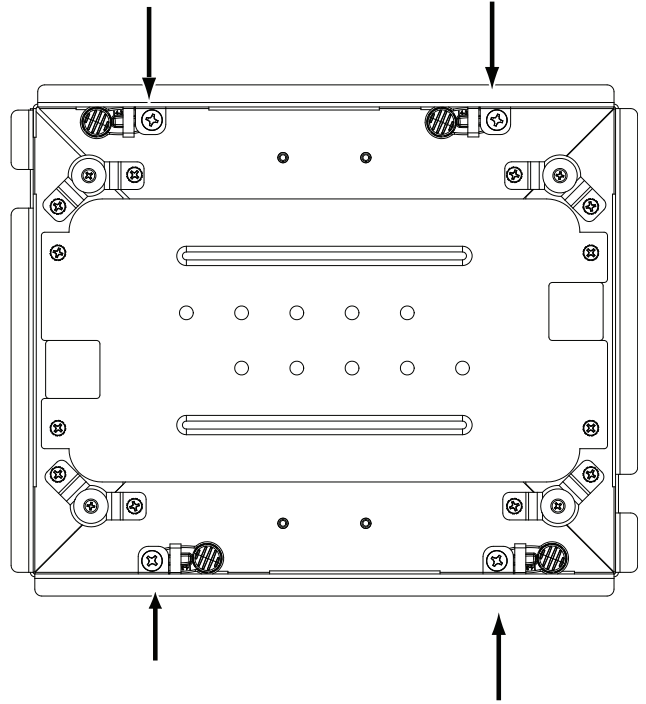


Figure 5: Roto-Lock Screw Locations

6. Insert the Control Mount mounting frame into the opening in the wall.

7. Hand-tighten the four Roto-Lock screws on the Control Mount's mounting frame as shown in Figure 5. The Roto-Lock clamps will automatically rotate into position behind the wall and begin clamping the mount.

- When you notice resistance on the four screws, the Control Mount has been clamped successfully.

IMPORTANT: NEVER over-tighten the Roto-Lock screws.

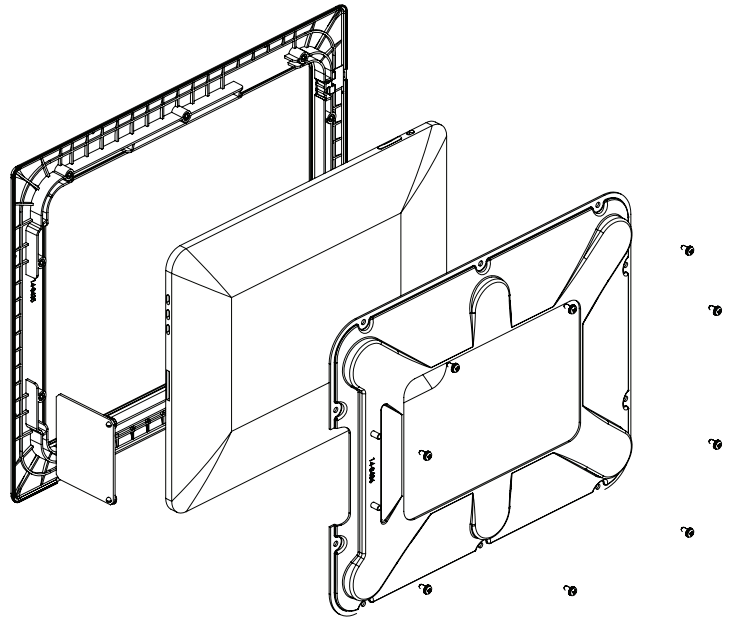
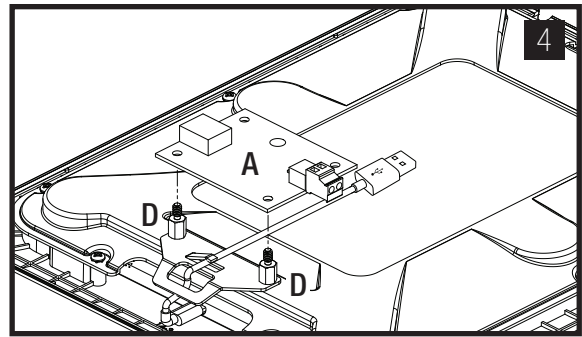
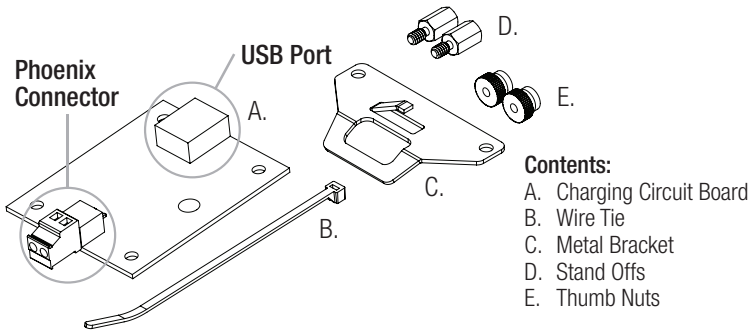


Figure 6: Mounting iPad to bezel

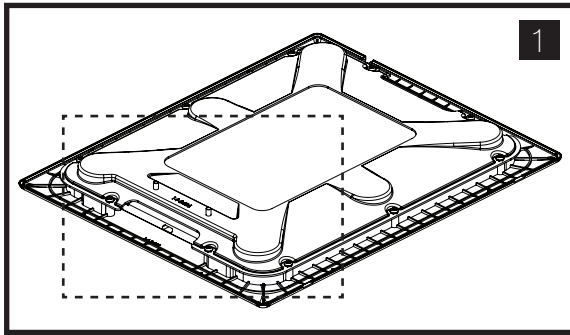
Note: Please use the provided fit kit for iPad (4th generation), (3rd generation) and iPad 2.

9. Attach safety lanyard on top center screw of retainer assembly as shown in figure 7 (on the following page).

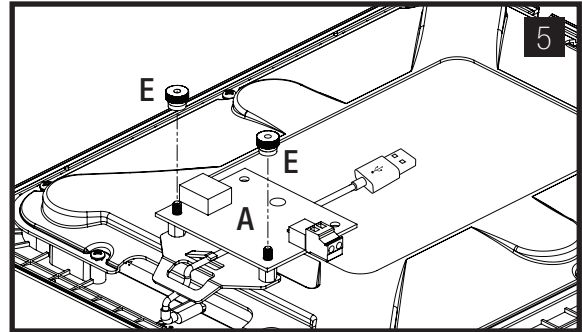
10. Install the charging circuit board assembly components onto the Control Mount retainer:



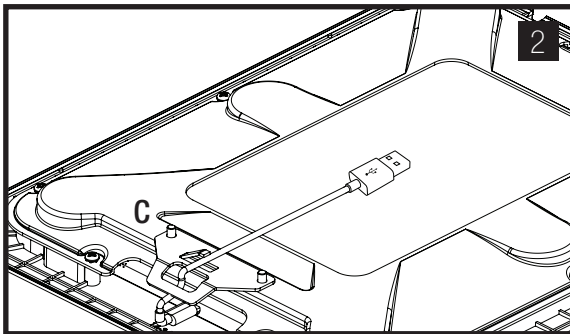
Place the Charging Circuit Board (A) onto the Stand Offs (D).



Begin installation of the Charging Circuit Board Assembly after installing the Fit Kit (provided with CM-IW2000 V2 for use with iPad 2 or later), and after installing iPad between the retainer and bezel. Place the iPad assembly "face down" to reveal the retainer (silver substrate).

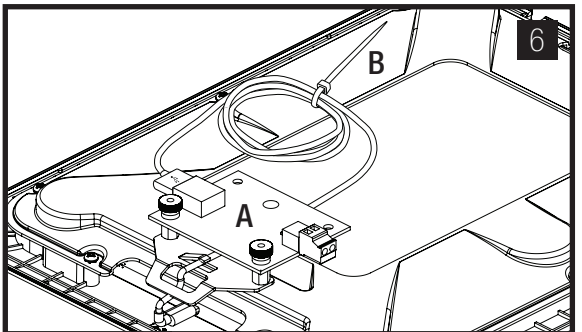


Screw the Thumb Nuts (E) to secure the Charging Circuit Board (A).

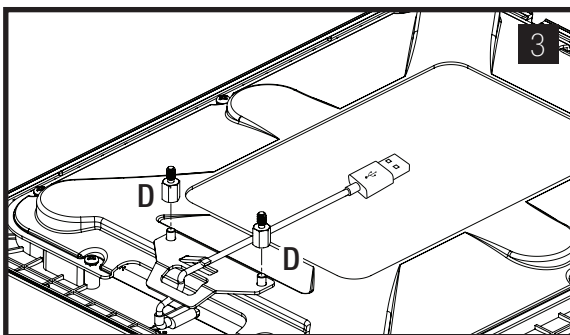


Place the Metal Bracket (C) onto the retainer as shown. Crimp Apple Connector Cable (Lightning or 30 Pin) to (C) using the bracket provided on (C).

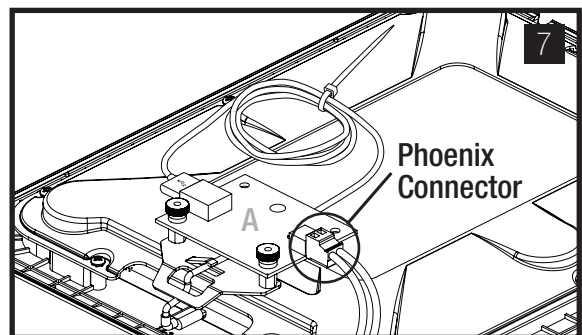
Note: Apple Connector Cable not included. Use the cable provided with iPad.



Use the Wire Tie (B) to manage the Apple Connector Cable. Plug the USB connector into the USB port on the Charging Circuit Board (A).



Screw on the Stand Offs (D) as shown.



Connect power wire to the Charging Circuit Board via the provided Phoenix Connector.

11. Remove thumbscrew from the interior of metal frame, install though eyelet at the end of cable lanyard , and fasten lanyard to central hole at top of metal frame.

Final Adjustment

1. Mounting frame is supplied with a preset height setting. The preset adjustment will likely result with a space between the bezel and the wall surface. To adjust the height setting, turn screws clockwise, one turn at a time, until bezel fits snugly against the wall as shown in figure 9.
2. Insert assembly into frame and adjust until desired results are accomplished.
3. Plug the included DC power supply into the Power connector on the wall plate and into a wall outlet, as shown in Figure 3.

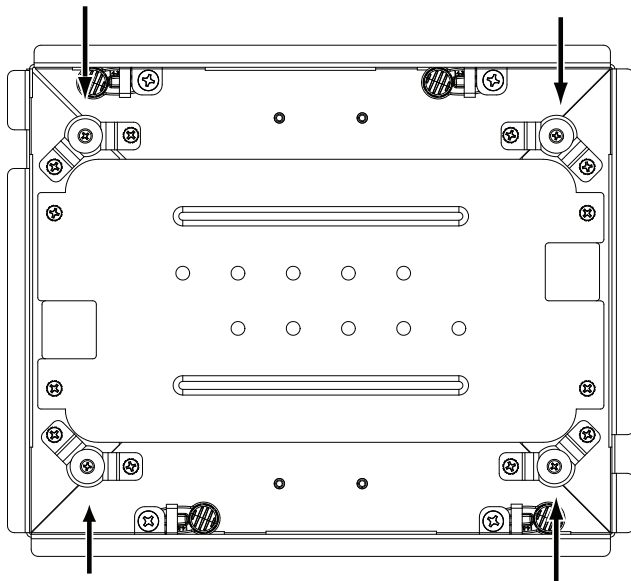


Figure 9: Height Adjustment Screws

Removal

1. Ensure that the Control Mount bezel is not bonded with the wall paint. If it has, gently place a plastic putty knife under the frame on all sides to ensure the frame doesn't peel the wall paint while being removed.
2. Attach the iPort suction cup removal tool (figure 10) to the UPPER left or right corner of the iPad touch screen.
3. Carefully pull the iPad away from the wall. The iPad and mounting assembly will detach from the wall. Disconnect the Power Wire.
4. Detach the safety lanyard from the back of the iPad mounting assembly.
5. Place the iPad mounting assembly facedown on a clean, smooth surface and remove the remaining machine screws.
6. Carefully separate the iPad from the mounting assembly. Reserve the machine screws in a safe location. The screws are needed for re-installation.

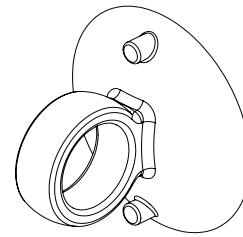


Figure 10: Suction Cup Removal Tool

Operation

Once installed, the iPad is now fully functional. The iPort Control Mount features a button to control the Power functionality. To activate the Power function, press the button as noted in figure 11.

The operation of the iPad touch screen to choose applications, music, email or internet remains the same.

Note: For questions regarding the touchscreen functions of your iPad, please visit: www.apple.com

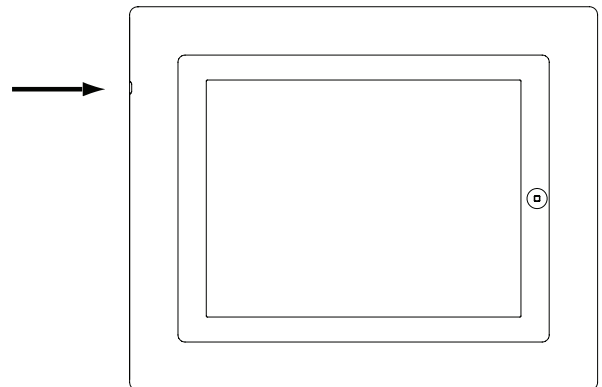


Figure 11: Power Button

Painting the bezel

iPort bezels are shipped from the factory with a standard finish. The instructions below can be used as guidelines to achieve a custom finish.

A light coat of paint to match the surrounding wall is recommended. A light coat will allow the bezel to maintain all proper tolerances and ensure precision fit. Do not roll or brush paint onto the bezel.

1. Apply a light coat of XIM Primer/Bonder (or similar) to the bezel. Carefully follow the directions on the can. NOTE: Match the primer type to the specified paint.
2. As many of the bezels are used on a daily basis, it is recommended to use a lacquer, oil or polyurethane based paint which will provide greater durability. If a water based paint is used, it is recommended to add a clear coat to protect the finish and improve durability, sand as necessary to adjust gloss level.
3. Thin the paint to the proper ratio for the application method and paint manufacturers recommendations and standard industry practices. Strain the paint through a standard mesh strainer to remove any lumps.

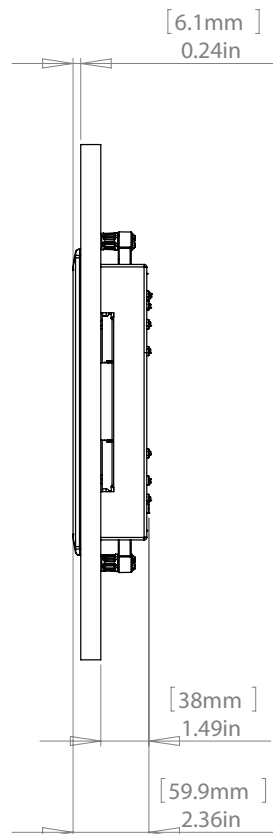
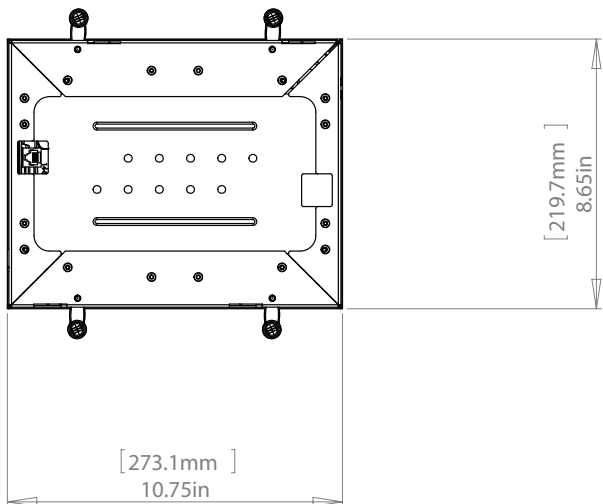
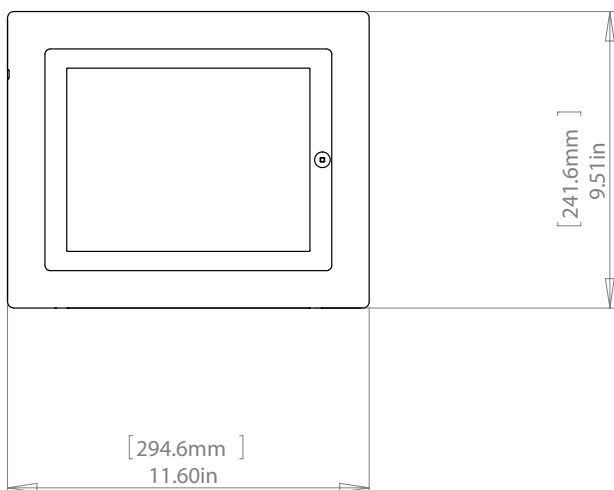
4. Using a small touch-up gun or cap spray gun, with a #3 tip for painting, set the nozzle with a medium to wide fan, and set the pressure regulator to 60 psi.
5. Lightly spray the front of the bezel in three quick strokes, from approximately 10 inches away.
6. Paint at a slight angle (approximately 45 degrees) to ensure that the paint covers the sidewalls of the bezel. Only a very light coat of paint is needed on the surface.
7. Let the paint set for one minute, turn the bezel 90° and repeat the painting process for all sides.

Note:

SOME TRIAL AND ERROR IS INVOLVED TO DETERMINE THE COLOR FORMULA AND PAINT APPLICATION. A DUST FREE ENVIRONMENT IS CRITICAL FOR OPTIMUM PAINTING

Specifications

Power supply:	15V 1A DC, regulated
Dimensions (W x H x D):	11.60" x 9.51" x 2.36" (294.6mm x 241.6mm x 59.9mm)
Cut-out Dimensions (W x H):	10.75" x 8.65" (273.1mm x 219.7mm)



LIMITED ONE (1) YEAR WARRANTY

iPort warrants to the first end-user purchaser that this iPort-brand product ("Product"), when purchased from and installed by an authorized iPort Dealer/Distributor, will be free from defective workmanship and materials in the initial installation for the period stated below. iPort will at its option and expense during the warranty period, either repair the defect or replace the Product with a new or remanufactured Product or a reasonable equivalent at no charge for parts, labor and return shipping.

EXCLUSIONS

TO THE EXTENT PERMITTED BY LAW, THE WARRANTY SET FORTH ABOVE IS IN LIEU OF, AND EXCLUSIVE OF, ALL OTHER WARRANTIES, EXPRESS OR IMPLIED, AND IS THE SOLE AND EXCLUSIVE WARRANTY PROVIDED BY IPORT. ALL OTHER EXPRESS AND IMPLIED WARRANTIES, INCLUDING THE IMPLIED WARRANTY OF MERCHANTABILITY, IMPLIED WARRANTY OF FITNESS FOR USE, AND IMPLIED WARRANTY OF FITNESS FOR A PARTICULAR PURPOSE ARE SPECIFICALLY EXCLUDED. No one is authorized to make or modify any warranties on behalf of iPort.

The warranty stated above is the sole and exclusive remedy and iPort's performance shall constitute full and final satisfaction of all obligations, liabilities and claims with respect to the Product. IN ANY EVENT, IPORT SHALL NOT BE LIABLE FOR CONSEQUENTIAL, INCIDENTAL, ECONOMIC, PROPERTY, BODILY INJURY, OR PERSONAL INJURY DAMAGES ARISING FROM THE PRODUCT, ANY BREACH OF THIS WARRANTY OR OTHERWISE.

This warranty statement gives you specific legal rights, and you may have other rights which vary from state to state. Some states do not allow the exclusion of implied warranties or limitations of remedies, so the above exclusions and limitations may not apply. If your state does not allow disclaimer of implied warranties, the duration of such implied warranties is limited to the period of iPort's express warranty.

Your Product Model and Description: iPort Control Mount CM-IW2000 V2

Warranty Period for this Product: One (1) year from the date on the original sales receipt, invoice or other satisfactory proof of purchase.

Additional limitations and Exclusions From Warranty Coverage: The warranty described above is non-transferrable, and does not include damage to allied or associated equipment which may result for any reason from use with this Product, and does not include Product failure caused by accident, disaster, negligence, improper installation, misuse (e.g. overdriving the amplifier or speaker, excessive heat or cold or humidity, outdoor installation), or from service or repair which has not been authorized by iPort.

Obtaining Authorized Service: If you purchased your iPort from an iPort Dealer, you (1) must contact your authorized iPort Dealer/Installer or call iPort Customer Service at (800) 582-0772 within the warranty period, (2) must obtain a return merchandise number (RMA), and (3) deliver the Product to iPort shipping prepaid during the warranty period, together with the original sales receipt, invoice or other satisfactory proof of purchase from your iPort Dealer. If you did not purchase from an iPort dealer, you must contact your authorized seller within the warranty period and obtain instructions for obtaining authorized service.



San Clemente, CA | 888.45.iPort | www.iportmusic.com

©2013 Dana Innovations. All rights reserved.

iPort and Roto-Lock are registered trademarks of Dana Innovations.

Due to continuous product improvement,
all specifications are subject to change without notice.

For the latest iPort product information go to www.iportmusic.com

iPad is a registered trademark of Apple Inc., registered in the U.S. and other countries.