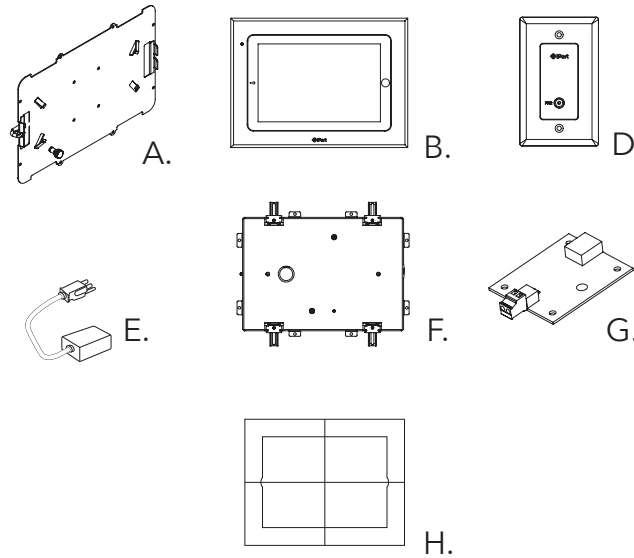




# Control Mount Air Quickstart Guide 70095

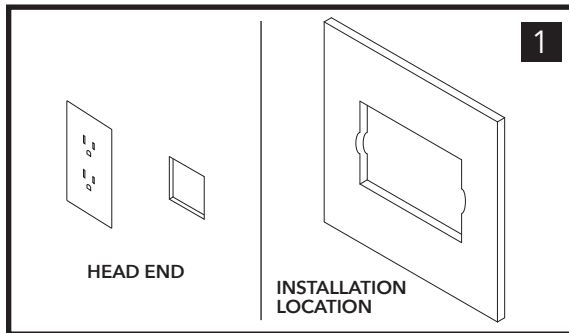
## Parts:

- A. Retainer
- B. Fascia
- C. Hardware
- D. Wall Plate
- E. Power Supply
- F. Mounting Back Box
- G. USB Electronics Board
- H. Cut Out Template

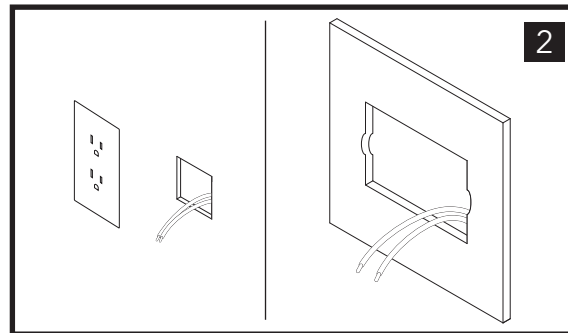


## Tools Required:

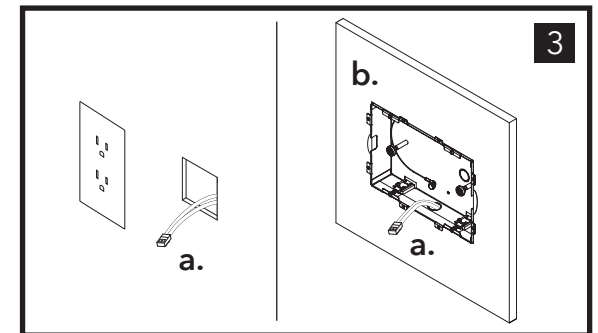
- #2 Phillips Screwdriver
- Precision Slotted Screwdriver
- Level
- Pencil
- Drywall Saw



Using the cut out templates and a level, make a cut into the wall surface at the head end (location of power source) and the installation location.

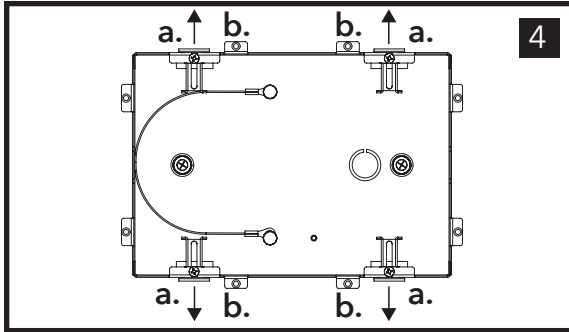


Run power wire from head end to installation location. We recommend 16 AWG 2 conductor which will provide power up to 200 feet from installation location. Wire size chart on [iportmusic.com](http://iportmusic.com).

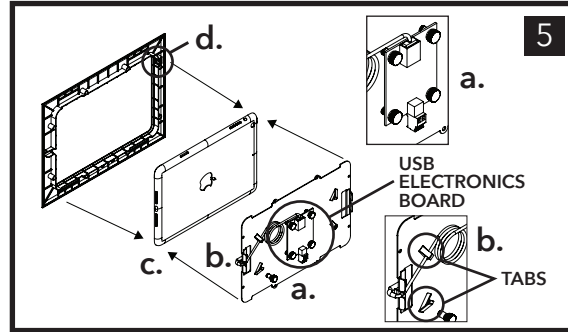


(a) Connect the 2-pin connectors to the ends of the power wire and ensure that the hot and ground configuration is the same on both sides. (b) Fit the mounting back box into the wall cavity.

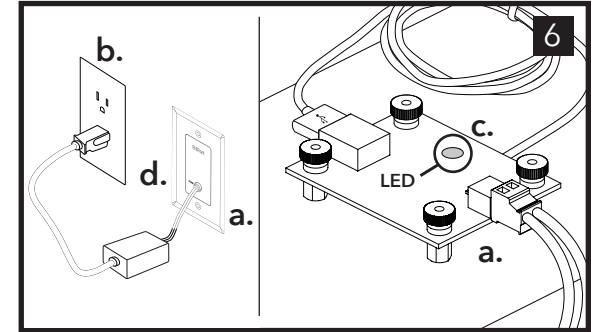
*See reverse side for more.*



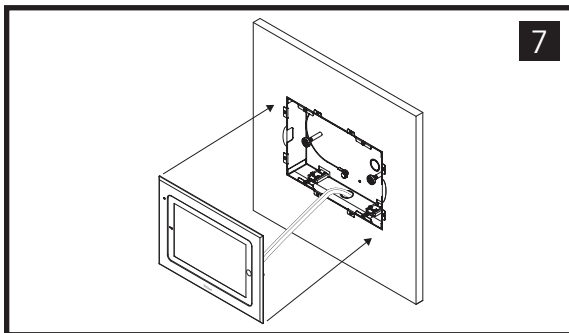
(a) Deploy and tighten the toggles on the mounting back box using a #2 phillips screwdriver. (b) Optionally, use the screw tabs to secure the mounting back box to a solid surface, such as wood.



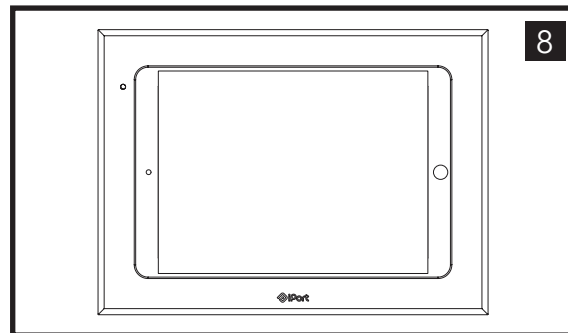
(a) Attach the USB Electronics Board to the retainer using the provided hardware. (b) Connect USB cable to iPad Air and USB electronics board. Use the tabs on the retainer to pin back USB cable and eliminate slack. (c) Attach the retainer to the fascia, securing iPad Air in between. (d) Make sure iPad Air power button is aligned with the power button extension on the fascia.



(a) Connect the 2-pin connectors to the electronics boards on the iPad Air assembly and wall plate. (b) Plug in power supply to the wall plate and the receptacle. (c) On the USB Electronics board, confirm the power LED light is on. (d) Attach wall plate to wall using provided hardware.



Attach iPad Air assembly into the back box. Note: use optional tether to secure the assembly to the back box if desired.



Confirm iPad Air is charging. Confirm a flush and level fit on the wall.