



Works with iPad Air 1, 2 Pro 9.7
5th /6th Gen

Part Number: 72007

Tools Needed:

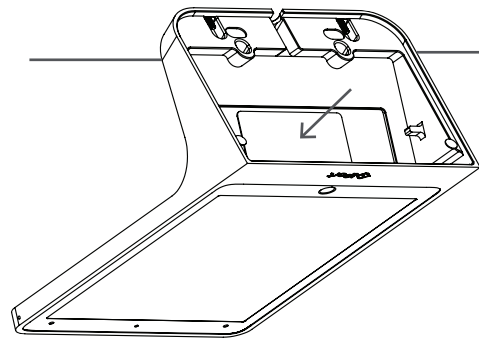
- 1.) #2 Phillips Screwdriver
- 2.) iPort Security Tool (included)
- 3.) 4ea Drywall Anchors (optional)

In the Box:

- 1) Table Mount
- 2) iPort Security Tool
- 3) Velcro
- 4) Retention Screws

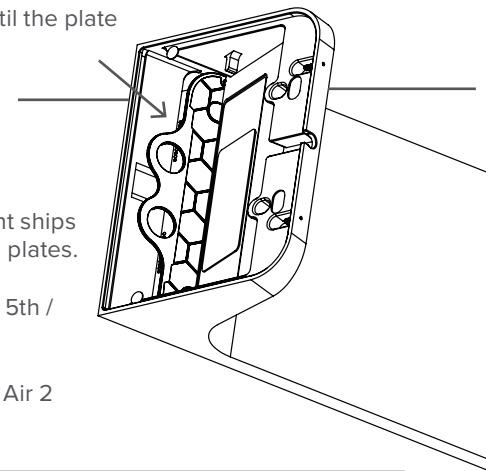
Installing iPad

- 1.) Slide iPad face down into Table Mount with the lightning connector toward the base of the Table Mount.



Installing iPad

- 2.) Insert the appropriate iPad Retention Plate behind the iPad and slide in until the plate clicks into place.



Note - Table Mount ships with two retention plates.

One for iPad Air 1, 5th / 6th Gen.

A second for iPad Air 2 and Pro 9.7.

Installing iPad - Powering Options (Sold Separate)

- 3.) Table Mount allows for multiple powering options based on the install needs. Below are the three recommended power options and the parts needed.

A. Redpark PoE Adapter

- 1.) Redpark PoE Adapter
- 2.) 90° Lightning Cable to Mini USB-A
- 3.) Cat5/6 cable (provided separately)

C. Apple 12 watt adapter and Extension

- 1.) Apple Lightning to USB Cable
- 2.) Apple 12W USB Power Adapter
- 3.) Apple Power Adapter Extension Cable

B. Apple Lightning Cable

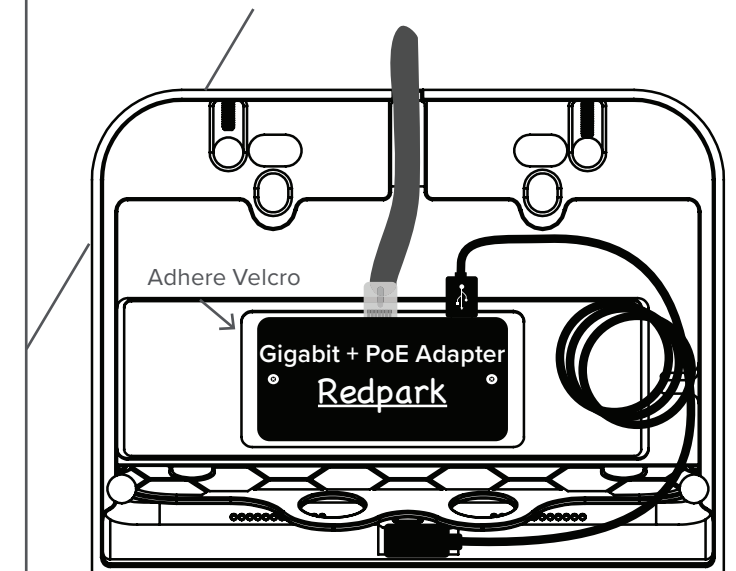
- 1.) Apple Lightning to USB Cable
- 2.) 12W USB Adapter

Note:

Use the provided Velcro to attach the desired power supply to the bottom of the Table Mount.

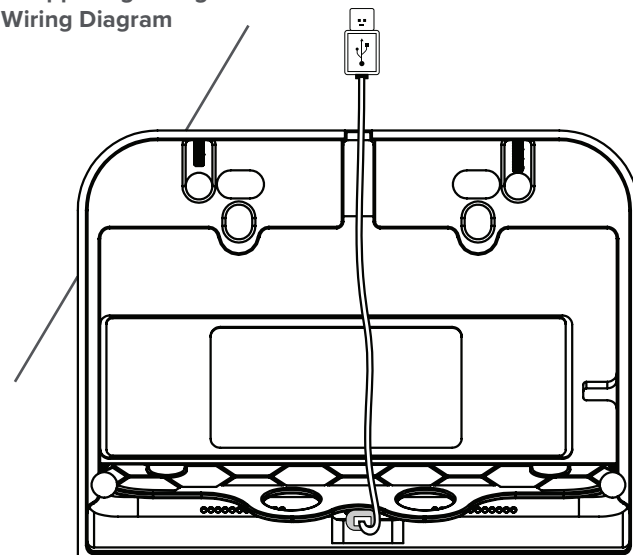
Installing iPad - Powering Options

A. RedPark Wiring Diagram



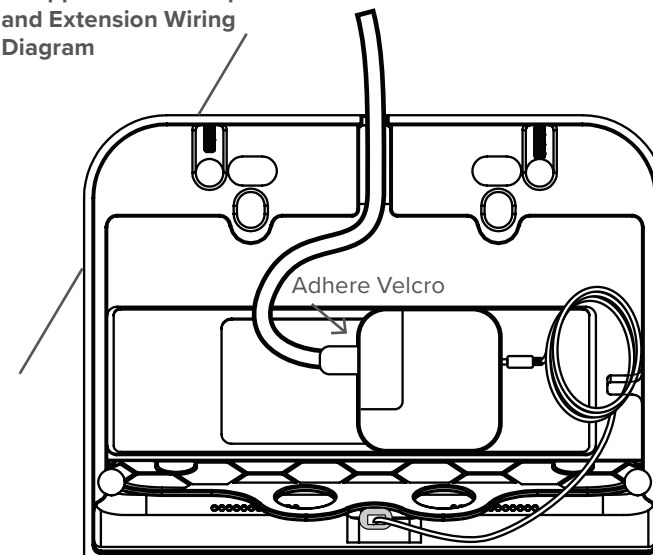
Installing iPad - Powering Options

B. Apple Lightning Cable Wiring Diagram

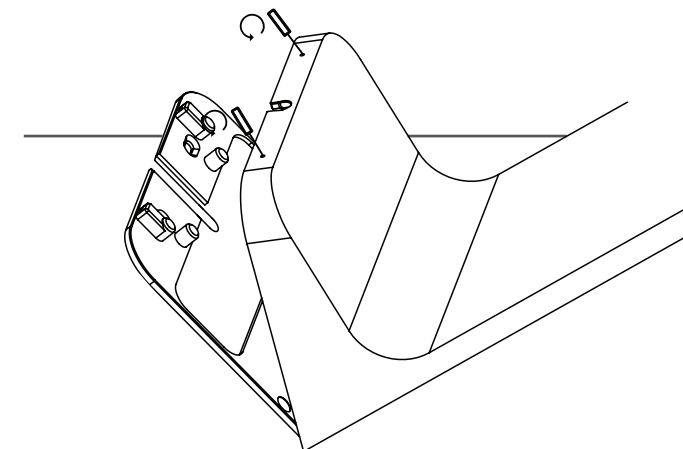


Installing iPad - Powering Options

C. Apple 12 watt adapter and Extension Wiring Diagram



Installing iPad



- 4.) Insert the Table Mount foot into Table Mount and secure with the iPort Security Tool,

Note: Turn Screws Counterclockwise to secure the Table Mount foot.

Installing iPad

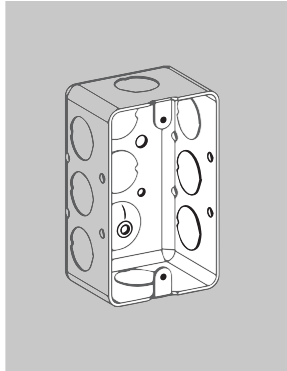
- 5.) Place Table Mount in desired location and enjoy.





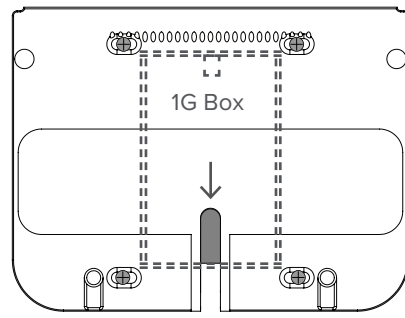
Mounting Table Mount to a Wall.

- 1.) Install 1G box in the desired location of the Table Mount
- 2.) Run AC Power or Cat5/6 cables depending on power options desired.



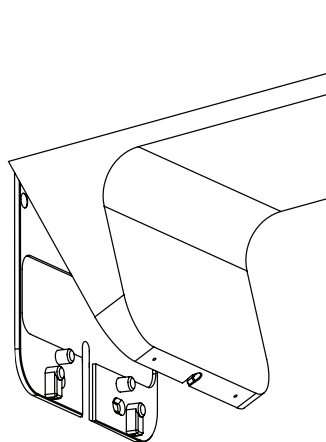
Mounting Table Mount to a Wall.

- 3.) Remove the Table Mount foot.
- 4.) Place the foot in the desired location over the 1G box and mark the four mounting holes shown
- 5.) Install 4 drywall anchors in the marked location.
- 6.) Attach the foot to the anchors with the cable opening facing toward the ground as shown.



Mounting Table Mount to a Wall.

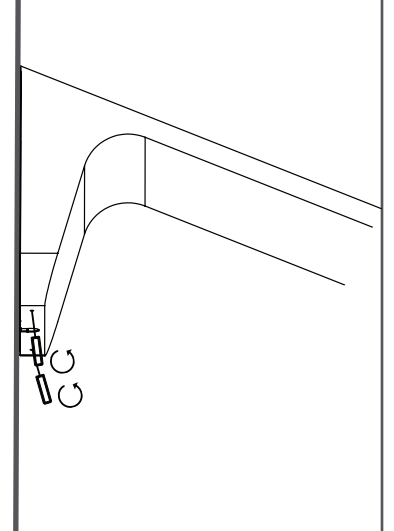
- 7.) Insert iPad into Table Mount, see Instruction on reverse side.
- 8.) Connect chosen power cable to the iPad.
- 9.) Hook the Table Mount to the foot as shown then seat the Table Mount on the foot.



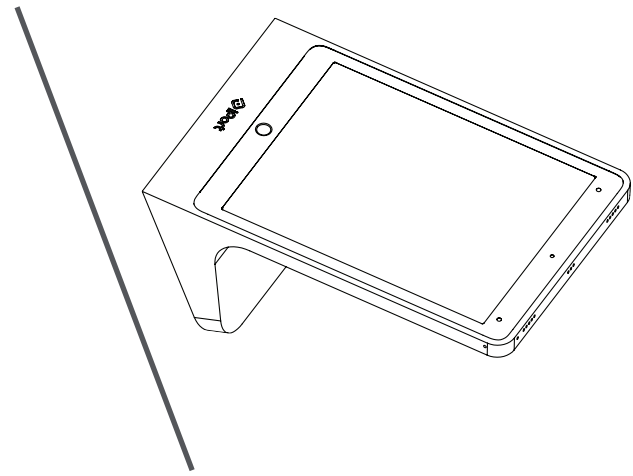
Mounting Table Mount to a Wall.

- 10.) Secure the Table Mount to the foot with the provided iPort Security Tool.

Note - Turn screws counter clockwise to secure Table Mount.



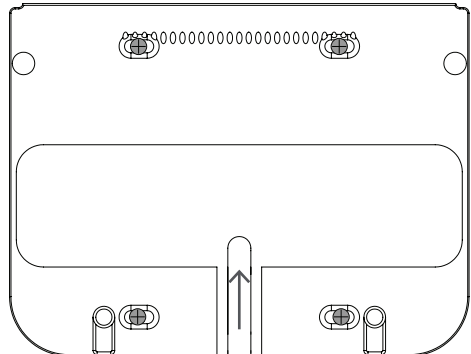
Mounting Table Mount to a Wall.



iPortproducts.com | +1 949.226.5222 | Page 2 of 2

Securing Table Mount to a table.

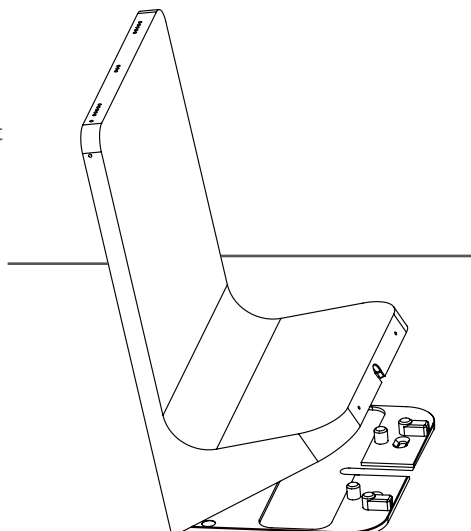
- 1.) Remove the Table Mount foot from the Table Mount.
- 2.) Place the foot in the desired location and mark the four mounting holes shown above.
- 3.) Drill pilot holes in the marked locations.
- 4.) Return the foot to the drilled location and secure with screws



Note: To run power wire through the table drill a 5th hole in the table at the opening of the foot provided.

Securing Table Mount to a table.

- 5.) Insert the iPad and Run Power shown in previous page.
- 6.) Latch the front of the Table Mount to the foot and set down towards the rear of the Table Mount.



Securing Table Mount to a table.

- 7.) Use the iPort Security Tool to lock the Table Mount to the mounting plate.

Note: Turn Screws Counterclockwise to secure the Table Mount foot.

