

Rear Body Specifications

REAR DUMP TRUCK WITH DROPSIDE TYPE VESSEL
SPEC NO. :S-1818-1293 MAKE & MODEL :ShinMaywa DR2
DRAWING NO. :HDR-SB924 CHASSIS MODEL :WU700L-HKMMJ3

GENERAL

The dump truck is designed for transporting mud, sand, and gravel etc. effectively and for using general operation. These loads can be unloaded only from a tailgate opened automatically during raising a body.

CAPACITY

Max. loading capacity 2,300 kg
Vessel volume 2.5 m³

LOAD

Suitable load Mud, Sand, Gravel :less than 50 mm
Macadam or Rock :less than 50 mm
Loading condition Loading height from deck to bucket :
Less than 800 mm

PERFORMANCE

Dumping angle Approx. 55 °
Lifting time Approx. 20 s
Lowering time Approx. 20 s

CONSTRUCTION & DIMENSIONS

VESSEL

Construction All steel plate welded construction
With automatic release type tailgate
Dimensions(Inside)
Length 3,000 mm
Width 1,900 mm
Height 450 mm
Thickness
Deck plate 3.2 mm
Side plate 2.3 mm
Front plate 2.3 mm
Tail gate plate 3.2 mm

DUMP CYLINDER

Type Single action with link
Make & Model ShinMaywa : KR-123B
Bore × Stroke 120 mm × 430 mm

HYDRAULIC PUMP

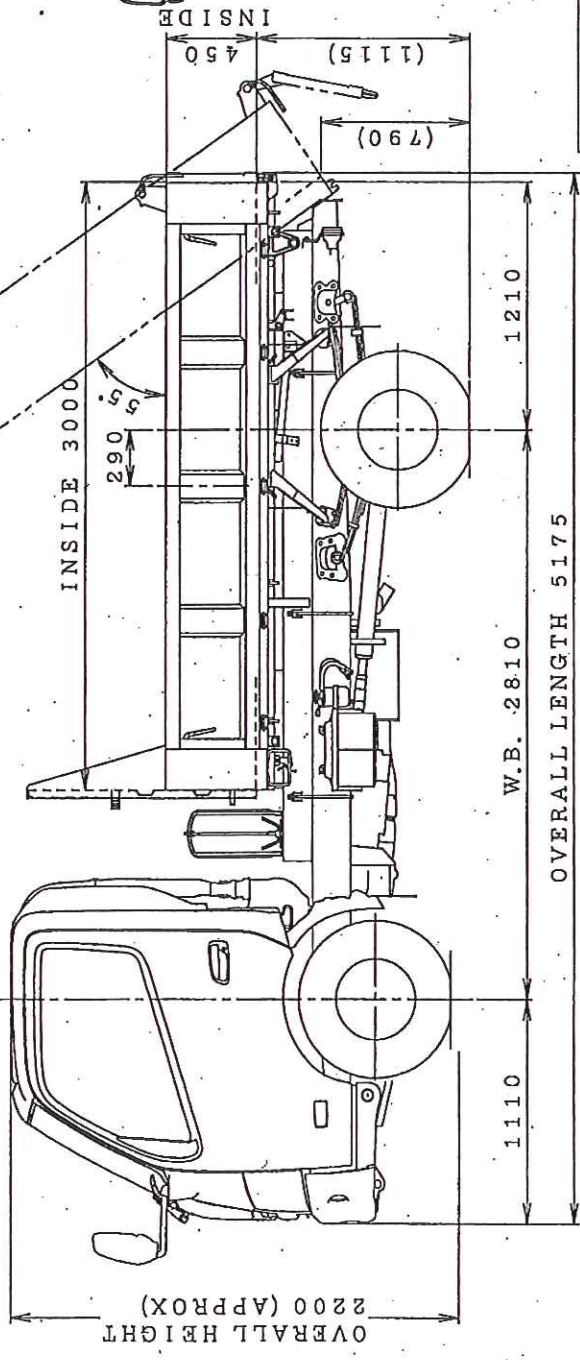
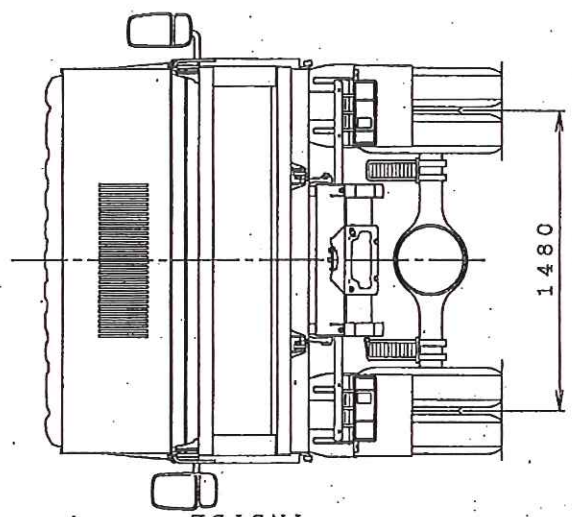
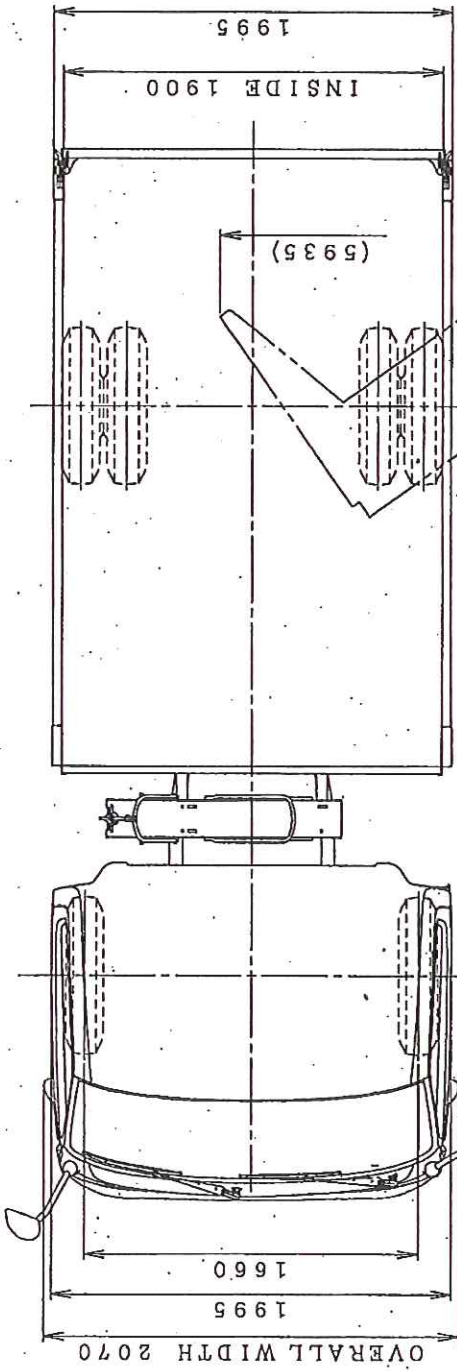
Type Gear type
Make & Model ShinMaywa : KPC-22

POWER TRAIN

Transmission P.T.O. → Hydraulic pump → Dump cylinder → Link

CONTROL

P.T.O. control Switch installed in cab
Dumping control Lever installed in cab



DRAWING NO.	HDR-SB924	REAR DUMP TRUCK
DATE	APR 20 1951	CHASSIS MODEL HINO WU700L-HKMMJ3
SCALE		HINO MOTORS LIMITED
		GMM: N-LAN