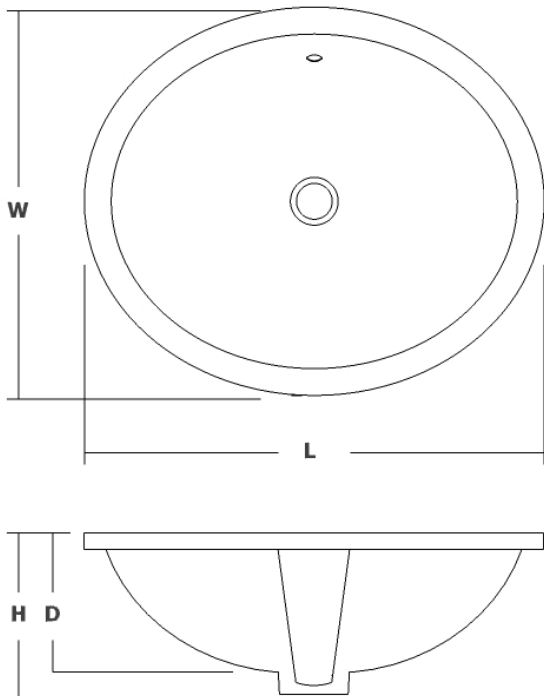


KATIE



SPECIFICATIONS:

KATIE SERIES

Undermount Application: With Fully Glazed Rim Surface

Katie XL: OD: 21"L x 18.25"W x 7.75"H x 6.25"D
ID: 18.75"L x 16"W

Katie Large: OD: 19.25"L x 16.25"W x 7.5"H x 5.75"D
ID: 17"L x 14"W

Katie Small: OD: 17.75"L x 14.75"W x 7.5"H x 5.75"D
ID: 15.5"L x 12.5"W

Katie Petite: OD: 16"L x 13.5"W x 7"H x 5.25"D
ID: 14"x11.5"

