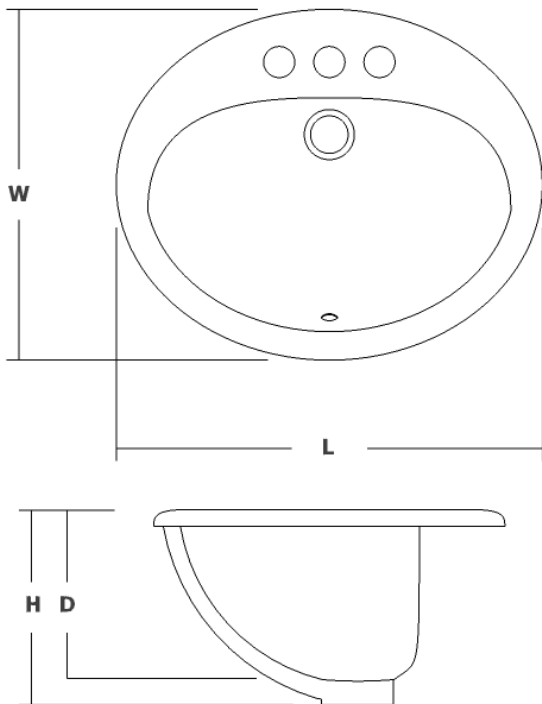


KAREN



SPECIFICATIONS:

KAREN SERIES

Drop In Application

Karen: OD: 17.25" L x 15" W x 6.5" H x 5.5" D

ID: 14.5" L x 10" W

Drain: 1.5"

Single Hole, 4" and 8" spread

ASME A112.19.1/CSA B45.2 Compliant

