



LSX Module System

Frameless module with integrated mounting

Features

Frameless Module

No Module Grounding

Constrained Module Positioning

Unique Through-Bolt Mounting

Benefits

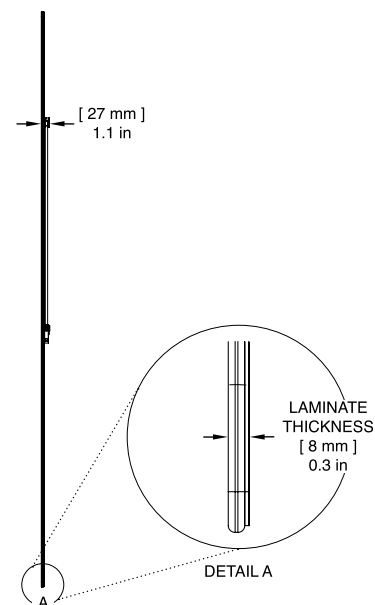
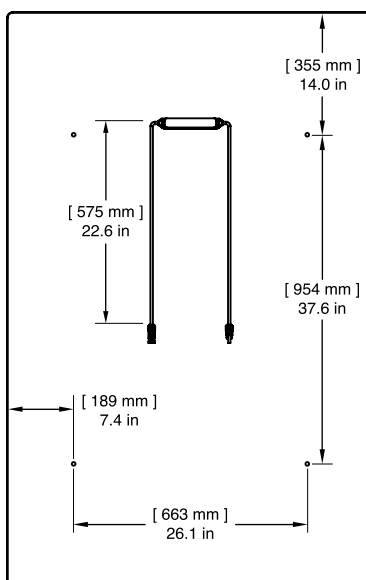
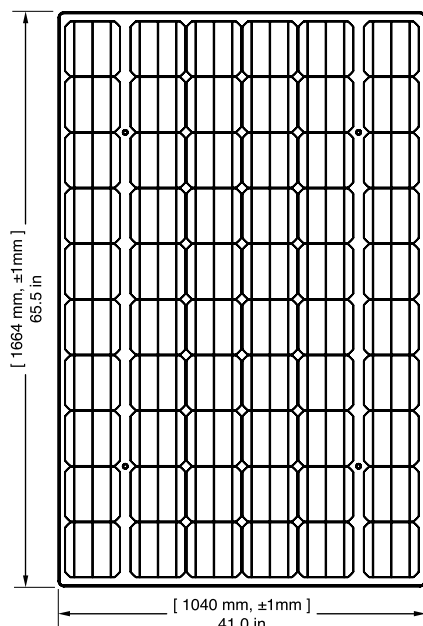
- PID Free
- Low profile

- No ground lugs
- No continuous module equipment ground

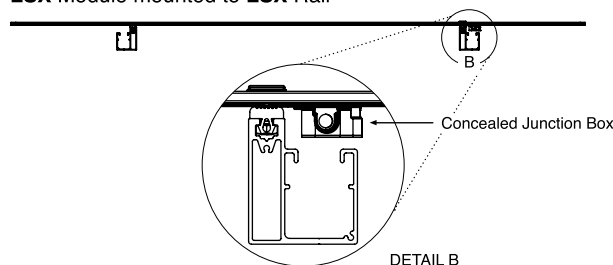
- Perfect alignment
- Speeds installation time

- Tamper resistant mounting
- Ease of weatherproofing

LSX Module System



LSX Module mounted to LSX Rail



Electrical Specifications


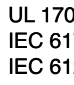



Model	LSX265-60M-C*	LSX270-60M-C*	LSX275-60M-C*
Rated Power @ STC	265 W	270 W	275 W
Peak Power Voltage (Vmp)	31.45 V	31.58 V	31.71 V
Maximum Power Current (Imp)	8.43 A	8.55 A	8.68 A
Open Circuit Voltage (Voc)	38.69 V	38.86 V	39.03 V
Short Circuit Current (Isc)	8.84 A	8.93 A	9.02 A
Module Efficiency	15.3%	15.6%	15.9%
Operating Temperature	-40 °C to 85 °C		
Maximum System Voltage	UL 1000 V / IEC 1000 V		
Maximum Series Fuse Rating	15 A		
Power Tolerance	-0/+3%		

*C-Clear Backsheet

Temperature Coefficients

Nominal Operating Cell Temperature (NOCT)	43.6 °C
Power Temperature Coefficient (Pmpp)	-0.453 % / °C
Voltage Temperature Coefficient (Voc)	-0.337 % / °C
Current Temperature Coefficient (Isc)	0.054 % / °C

Mechanical Specifications

Solar Cell	Monocrystalline 6" x 6" (156 mm x 156 mm)
Number of Cells	60 (6 x 10)
Bypass Diodes	3
Module Dimensions	65.5" x 41.0" x 1.1" (1664 mm x 1040 mm x 27 mm)
Module Area	18.65 ft ² (1.73 m ²)
Module Weight	62.6 lb (28.4 kg)
Module Weight / Area	3.36 PSF (16.40 kg/m ²)
Front Glass	0.24" (6 mm) FT Low-Iron PV Glass
Backsheet	Clear
Light Transmittance	Portrait = 12% Landscape = 10%
LSX Rail Assembly Options	3, 4 & 5 Portrait Module Lengths 2 & 3 Landscape Module Lengths
Output Cables	12 Awg. PV Wire and MC4 Compatible Connectors
Static Load	-50/+113 PSF (-2400/+5400 Pa)
Hail	Class 4 Hail Rating Max. Diameter 2" (51 mm) at 72 mph (32 m/s)
Module Type (Fire)	Type 1
Warranty	10 years at 90% of rated power output 25 years at 82% of rated power output
Certifications	 UL 1703  IEC 61730  IEC 61215  UL 1703  Intertek
Listings	CEC (USA), FSEC (USA), CEC (AU)

Specifications are subject to change without notice. Lumos reserves the right of final interpretation and revision of this datasheet.

Version 201611-LSX60M-3.1