

LSX Rail 1.1

Integrated racking solution for the **LSX** Module System

Applications

Flush roof mounts
Tilt up roof mounts
Ground mounts
Canopies
Awnings
Carports
Custom Architectural Designs

Features

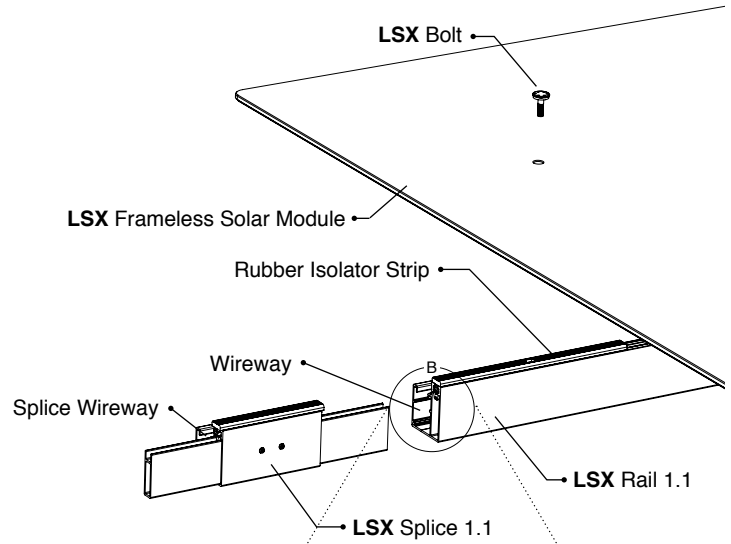
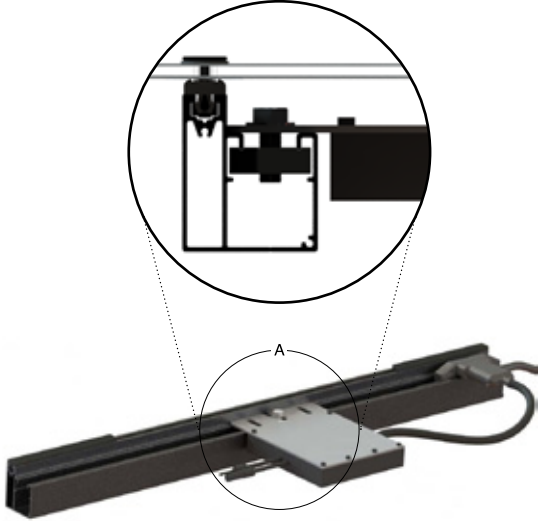
- Pre-positioned Connections
- Integrated Wireway
- Pre-cut Lengths
- Black Finish

Benefits

- Reduced installation time
- AC/DC wire management
- UV and rodent protection
- Dedicated Microinverter/DC Optimizer mounting channel
- Reduces material waste
- Increased aesthetics

LSX Rail 1.1

DETAIL A:
Microinverter/DC Optimizer Integration



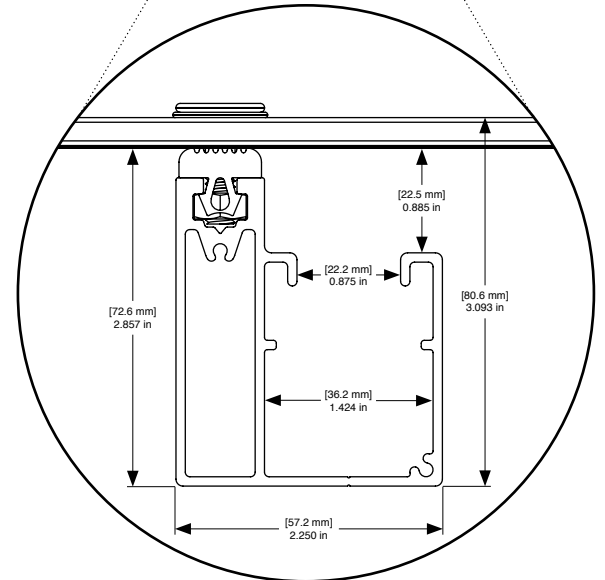
Specifications

Module Connection	LSX Bolt
Structural Connection	Through-Bolt or Self-Tapping Fastener
Modular Lengths	3, 4 & 5 Module Portrait Lengths 2 and 3 Module Landscape Lengths
Material	6005A-T5 Aluminum
Finish	Powder Coat, Black
Profile Dimensions	2.25" W x 2.86" H
Weight	1.35 lbs per ft

Span Options*

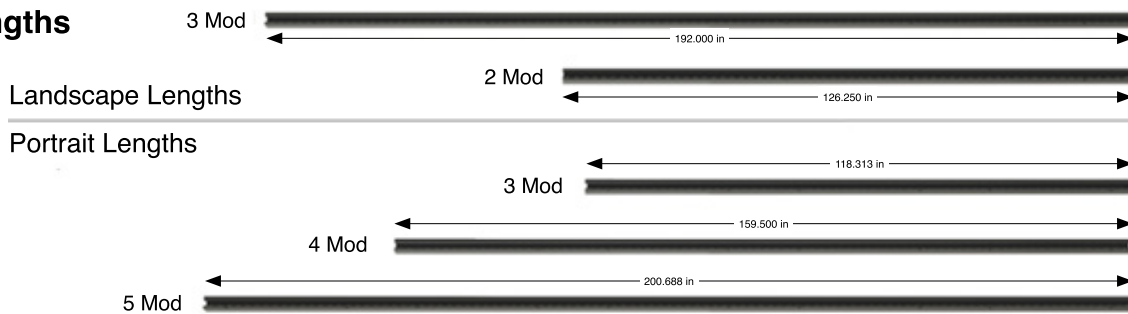
Zone 1	Wind ≤ 85 mph, Snow = 0 PSF	7.5-9 ft
Zone 2	Wind ≤ 105 mph, Snow ≤ 20 PSF	6.5-7.5 ft
Zone 3	Wind ≤ 115 mph, Snow ≤ 30 PSF	5.5-6.5 ft
Zone 4	Wind ≤ 130 mph, Snow ≤ 60 PSF	4.5-5.5 ft
Zone 5	Wind > 130 mph, Snow > 60 PSF	<4.5 ft

*Assumes multiple span condition. Additional site factors outside the scope of this chart can increase or decrease the allowable span.



DETAIL B:
LSX Rail 1.1 Profile

Modular Lengths



Specifications are subject to change without notice. Lumos reserves the right of final interpretation and revision of this datasheet.

Version 201611-LSXRail-1.0