

## Submersible motor pump for waste water handling



People at KSB – we make your world flow round

### AMAREX N: IMPROVED ENERGY SAVINGS YOU CAN RELY ON.

The reliability and improved efficiency of the Amarex N make it the optimum solution for handling all types of municipal and industrial waste water and sewage, particularly in pressure drainage, in combination with a variety of collection tanks.

The optimized hydraulics featuring the enhanced cutter system S or the new D-type impeller further broaden the range of applications while handling different types of waste water more efficiently.

Four different installation options ensure that virtually every application is catered for. Offered in different material combinations as standard, the Amarex N pump is equipped to solve any abrasive and corrosive waste water handling problem. Additional, integratable function models provide reliable monitoring and soft starting of the pump. This ATEX approved model can also be used in potentially explosive atmospheres.

Find out more about our products at: [www.ksb.com/productcatalogue](http://www.ksb.com/productcatalogue)



# Amarex N

Submersible motor pump  
for waste water handling



to  
94/9/EC  
(ATEX 95)

## Easy and straight-forward installation

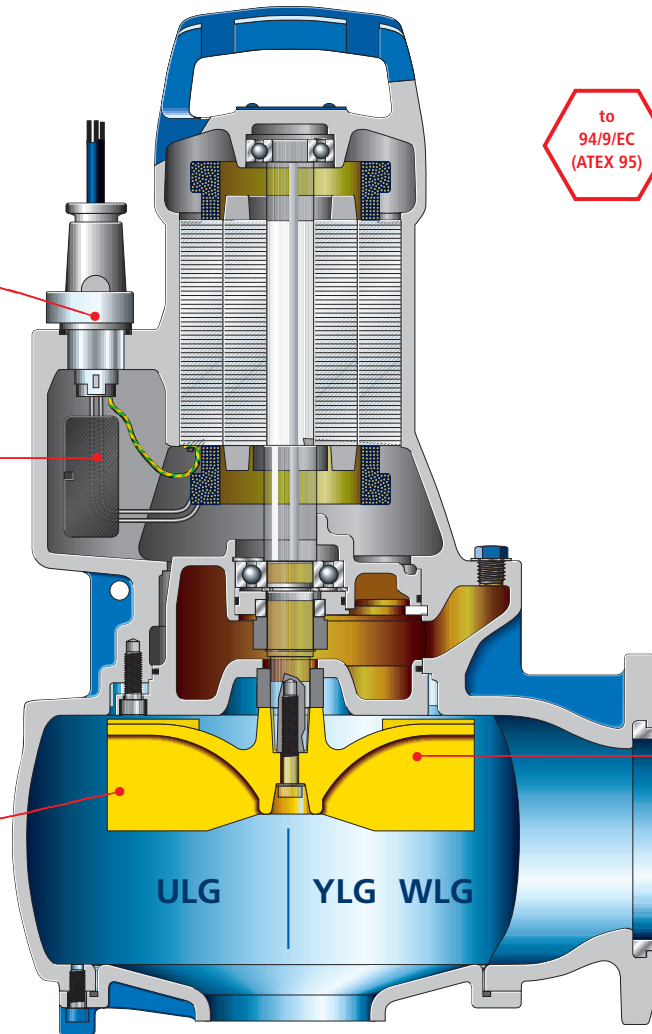
Re-usable and polarized cable entry with KSB plug connection ensures correct installation.

## Reliable monitoring and soft start

- Integratable modules monitor the motor temperature, correct direction of rotation and humidity of the motor to protect the pump and facilitate the start-up.
- Soft starting the motor is gentle on the mechanical components and increases the service life while reducing start-up costs.

## Marked cut in energy costs

thanks to optimized hydraulics resulting in improved efficiency by 50 % compared with the pump's predecessor.



## Unrivalled flexibility

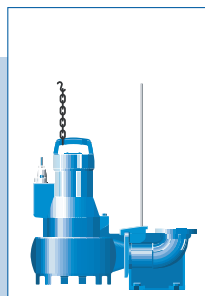
The standard model can easily handle normal fluids and those with slightly abrasive or corrosive characteristics. Beyond this we are glad to incorporate any specific requirements regarding cable quality, coatings and mechanical seals.

## Minimum inventory costs

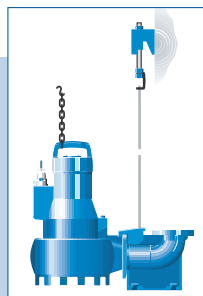
A single set of wear part replacements for all pump sizes and variants.

## Absolutely reliable and non-clogging

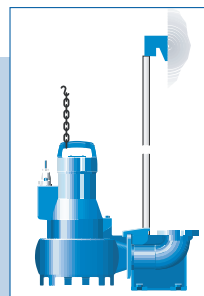
thanks to optimized cutter (S-type impeller). Also features new additional hydraulic system (D-type impeller) specially designed for fluids with high solids content and sludges.



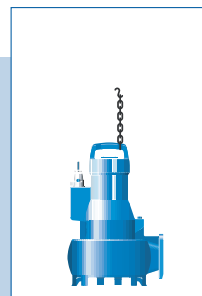
Guide wire arrangement



Hoop arrangement



Guide rail arrangement



Transportable model

### Technical data:

Sizes:	up to DN 100
Max. flow rate:	53 l/s
Max. head:	49 m
Max. temperature:	+40 °C
Max. speed:	2,900 rpm
Max. power:	4.2 kW

Further information: [www.ksb.com/productcatalogue](http://www.ksb.com/productcatalogue)