

Submersible motor pumps 50 Hz



Fields of Application

Pumping of waste water containing solid matter or domestic sewage such as waste from toilets, washing machines, dishwashers etc.

Surface water or rain water pumping such as car park drainage.

Drainage of sumps liable to flooding.

Operating characteristics

Q : up to 40 m³/h, (11 l/s).

H : up to 16 m.

Motor Power ;

1.5 kw maximum for three phase motor

1.1 kw maximum for single phase motor

Operating temperature up to 40°C

Intermittently 70°C (3 to 5 min.).

Materials

Casing : EN.GJL-200 / JL 1030 / FGL 200 / GG 20.

Impeller : EN.GJL-200 / JL 1030 / FGL 200 / GG 20.

Shaft : Chrome steel 1.4021 / X20 Cr13 / Z20 C13.

Shaft seal : (Motor side) Lip seal

Shaft seal : (Pump side) Mechanical seal
Silicium Carbide/Alumin Oxide

Nuts & bolts : Stainless steel

Elastomers : Nitrile rubber

Float switch : Polypropylene

Designation

	Ama [®] -Porter	5	01	SE
Type of pump :	_____			
Discharge diameter	_____			
DN 50 = serie 5 __	_____			
DN 65 = serie 6 __	_____			
Impeller size :	_____			
SE = Single-phase with float switch	_____			
NE = Single-phase without float switch	_____			
ND = Three-phase without float switch	_____			

Pump type

Vertical single casing submersible motor pump.

Shaft seal

Twin shaft seal with intermediate oil chamber.

Motor side : Single lip seal

Pump side : Single mechanical seal independent
of direction of rotation

Motor

Single phase : 230 V – 50 Hz with built in thermal
overload protection

Three phase : 400 V – 50 Hz direct on-line starting
Motor protection : IP68, Class F insulation in accordance
with EN 60529 / IEC 529.

Bearings

Sealed for life radial ball bearings.

CE – EN 12 050

The pump must not be used in countries where pumps handling sewage with faeces are subject to explosion protection regulations.

Scope of Supply

Pump complete ready for installation with either stationary or transportable mounting kits.

The **SE** versions are fitted with an integral float switch.

Details

- Manufactured in cast iron construction
EN.GJL-200 / JL 1030 / FGL 200 / GG 20.
- Non-flameproof motor.
- Unique resin imbedded, plug connection.
- Single phase version are supplied with a 10 m electrical cable and plug.
- Three phase version supplied with a 10 m electrical cable.
- Integral cast handle for easy hanging or lifting.
- Paint coating:
 - Surface treatment: SA 2¹/₂, Sis 055900
 - Primer : Ferritic Oxide 35 to 40 µm
 - Top coat : environmentally-friendly KSB-standard coating, approx.40 µm, RAL 5002 (ultramarine blue).

Description of installation kits

Series	5 – – SE/NE/ND	6 – – SE/NE/ND
Version		
Transportable	3 feet in stainless steel Discharge elbow (2") Hosetail (2") Hose clip (Ø 60 to 80) Nuts and bolts for feet and elbow	3 feet in stainless steel Discharge elbow (2") Hosetail (2" ¹ / ₂) Hose clip (Ø 80 to 100) Nuts and bolts for feet and elbow
Stationary Guide rope or rail or hoop (vertical discharge connection)	Duckfoot bend 50/50 mm Claw Bracket Guiding rope or hoop Rail not included Anchor bolts Chain	Duckfoot bend 65/65 mm Claw Bracket Guiding rope or hoop Rail not included Anchor bolts Chain
Stationary Guide rope or rail or hoop (horizontal discharge connection)	Duckfoot bend 50/2" Claw Bracket Guiding rope or hoop Rail not included Anchor bolts Chain	Pump pedestal 65/2" ¹ / ₂ Claw Bracket Guiding rope or hoop Rail not included Anchor bolts Chain

Thermal overload protection

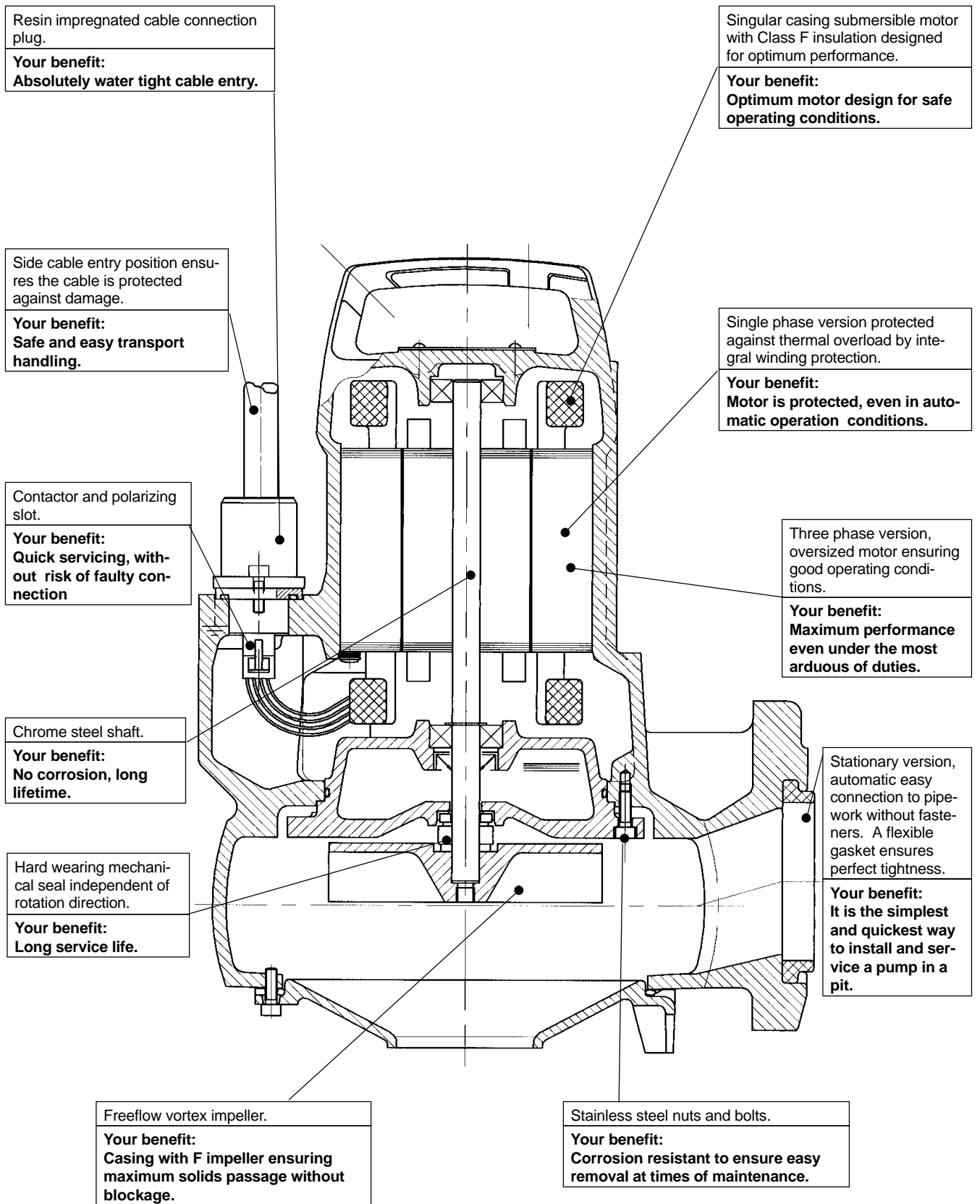
Single phase version

Integral thermal overload protection within motor windings.

Three phase version

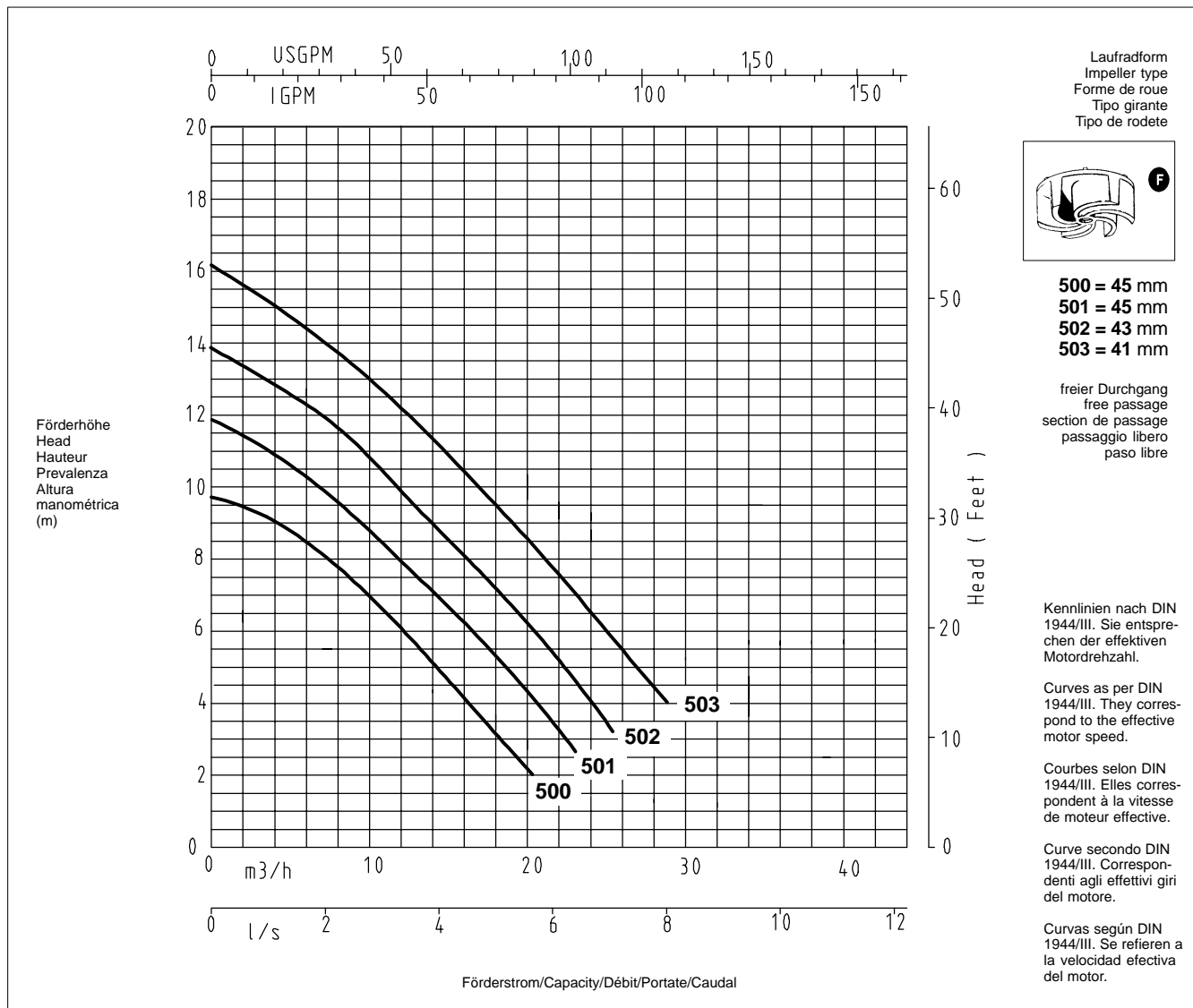
No thermal protection of the windings, current supply should be protected via a thermal overload relay installed inside the control panel and set to the current value indicated on the rating plate +15%

Advantages offered by the Ama[®]-Porter pump.



Ama®-Porter sizes 5 -- SE/NE/ND

2 900 1/min



50 Hz – 1 ~ 230 V

Type	Impeller diameter mm	P ₁ kW	P ₂ kW	I _N (A)	I _D (A)	Temp t°C	Electric cable	Outer diameter mm	Weight kg	Ident. Nr
500 SE	100	1,0	0,55	5,0	18,2	40	3 x 1 mm ²	9,0	22	39 017 187
501 SE	110	1,25	0,75	6,0	18,2	40	3 x 1 mm ²	9,0	22	39 017 100
502 SE	120	1,8	1,1	8,2	18,2	40	3 x 1 mm ²	9,0	22	39 017 101
503 SE	130	1,8	1,1	8,2	18,2	40	3 x 1 mm ²	9,0	22	39 017 102
500 NE	100	1,0	0,55	5,0	18,2	40	3 x 1 mm ²	9,0	22	39 017 195
501 NE	110	1,25	0,75	6,0	18,2	40	3 x 1 mm ²	9,0	22	39 017 188
502 NE	120	1,8	1,1	8,2	18,2	40	3 x 1 mm ²	9,0	22	39 017 189
503 NE	130	1,8	1,1	8,2	18,2	40	3 x 1 mm ²	9,0	22	39 017 190

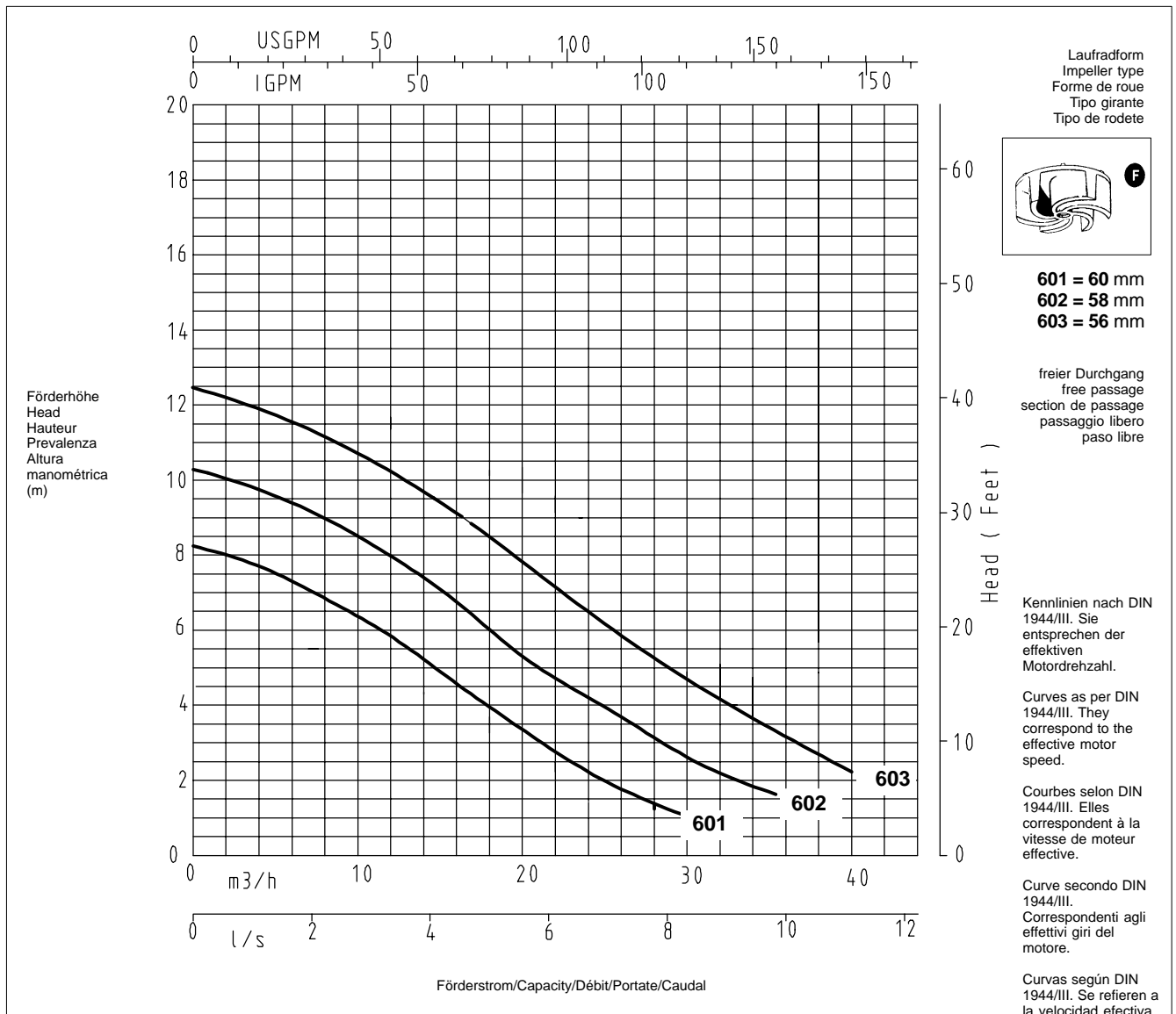
50 Hz – 3 ~ 400 V

500 ND	100	0,9	0,55	2,3	18,3	40	4 x 1 mm ²	10	22	39 017 191
501 ND	110	1,1	0,75	2,8	18,3	40	4 x 1 mm ²	10	22	39 017 103
502 ND	120	1,5	1,1	3,0	18,3	40	4 x 1 mm ²	10	22	39 017 104
503 ND	130	2,05	1,5	3,5	18,3	40	4 x 1 mm ²	10	22	39 017 105

The diagrams refer to the effective speed of the motor.
 Density=1 kg/dm³, viscosity=1 cSt.

Ama®-Porter sizes 6 -- SE/NE/ND

2 900 1/min



50 Hz – 1 ~ 230 V

Type	Impeller diameter mm	P ₁ kW	P ₂ kW	I _N (A)	I _D (A)	Temp t°C	Electric cable	Outer diameter mm	Weight kg	Ident. Nr
601 SE	110	1,25	0,75	6,0	18,2	40	3 x 1 mm ²	9,0	25	39 017 106
602 SE	120	1,8	1,1	8,2	18,2	40	3 x 1 mm ²	9,0	25	39 017 107
603 SE	130	1,8	1,1	8,2	18,2	40	3 x 1 mm ²	9,0	25	39 017 108
601 NE	110	1,25	0,75	6,0	18,2	40	3 x 1 mm ²	9,0	25	39 017 192
602 NE	120	1,8	1,1	8,2	18,2	40	3 x 1 mm ²	9,0	25	39 017 193
603 NE	130	1,8	1,1	8,2	18,2	40	3 x 1 mm ²	9,0	25	39 017 194

50 Hz – 3 ~ 400 V

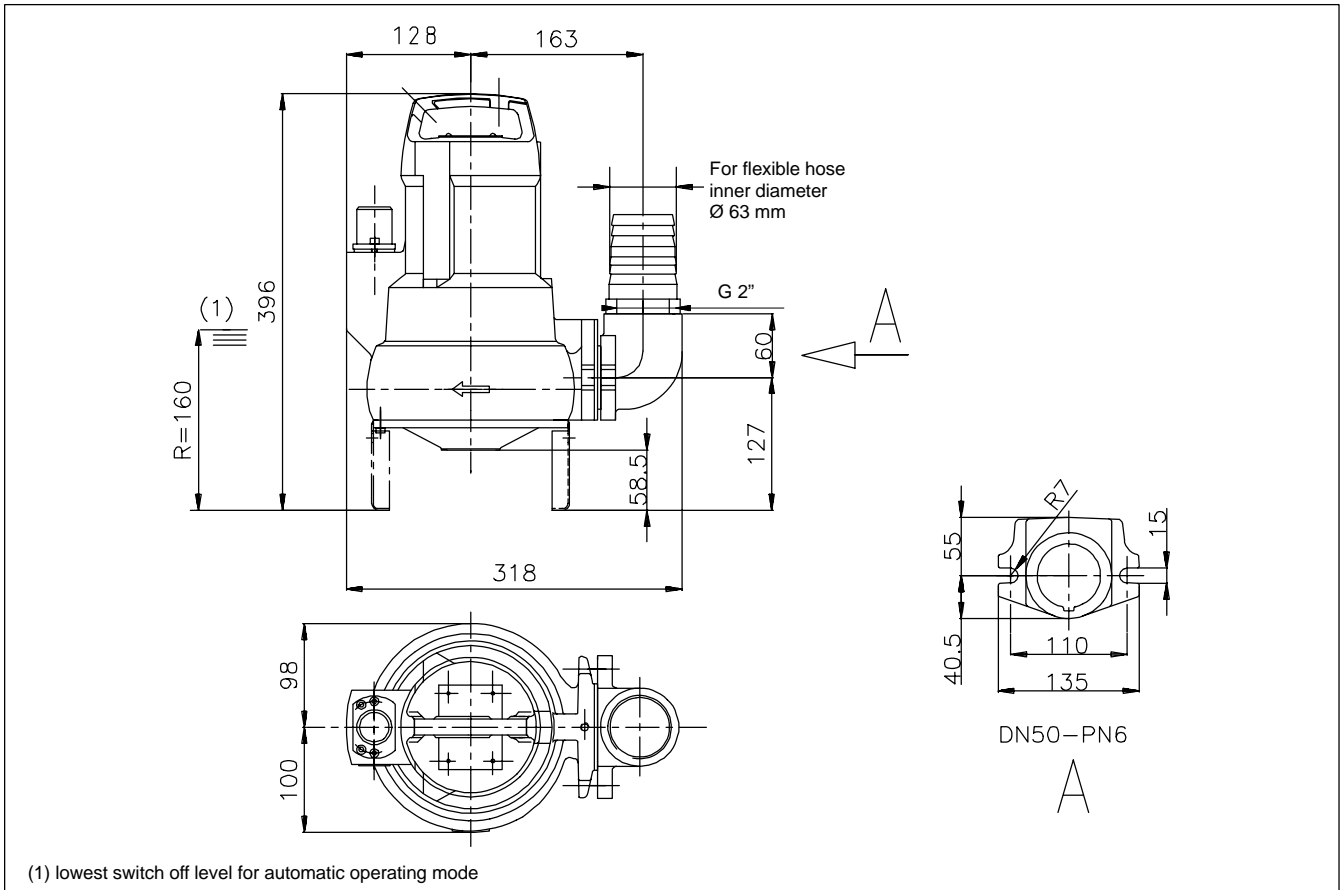
601 ND	110	1,1	0,75	2,8	18,3	40	4 x 1 mm ²	10	25	39 017 109
602 ND	120	1,5	1,1	3,0	18,3	40	4 x 1 mm ²	10	25	39 017 110
603 ND	130	2,05	1,5	3,5	18,3	40	4 x 1 mm ²	10	25	39 017 111

The diagrams refer to the effective speed of the motor.
Density=1 kg/dm³, viscosity=1 cSt.

Dimensions

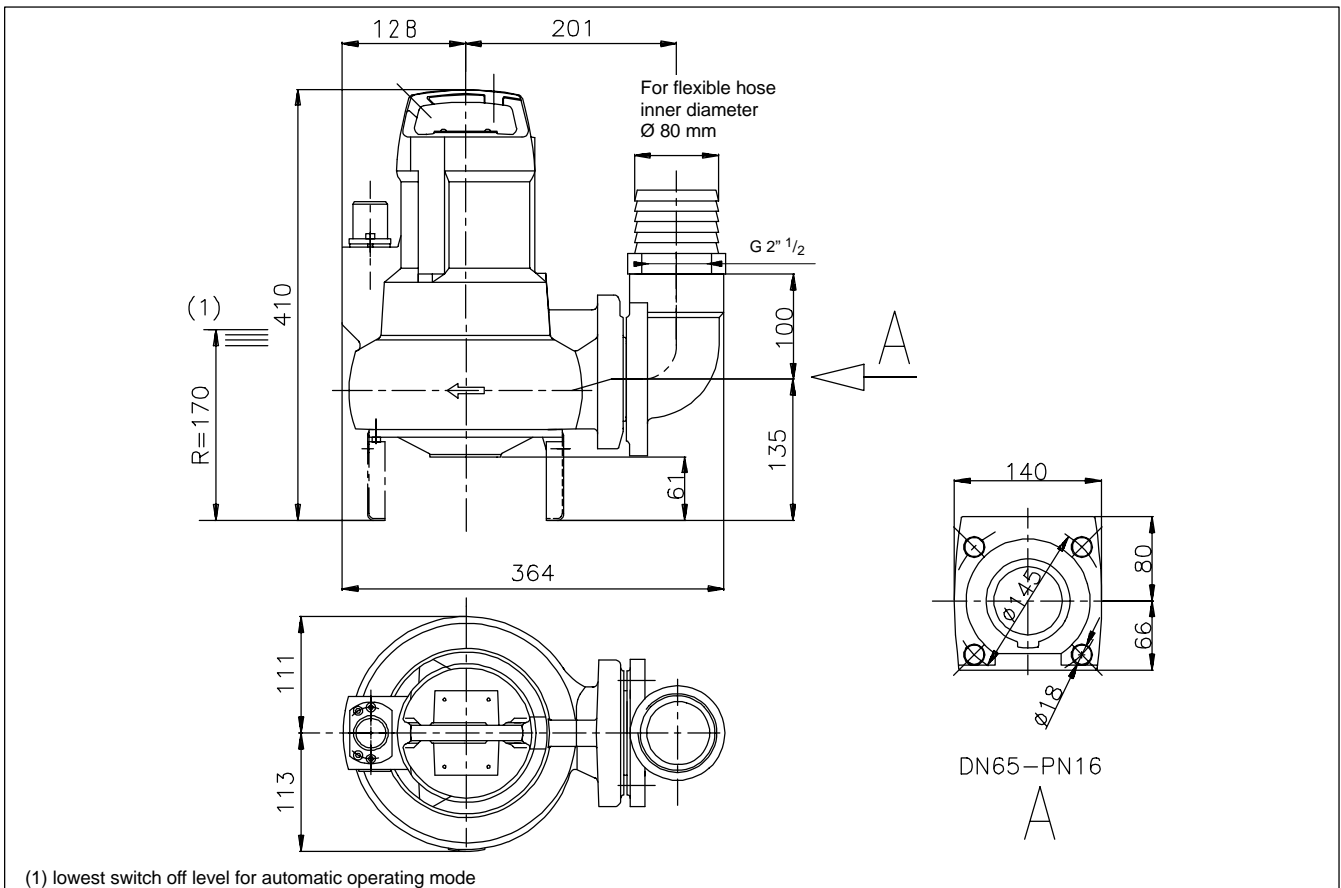
Ama[®]-Porter sizes 5 --

Transportable version

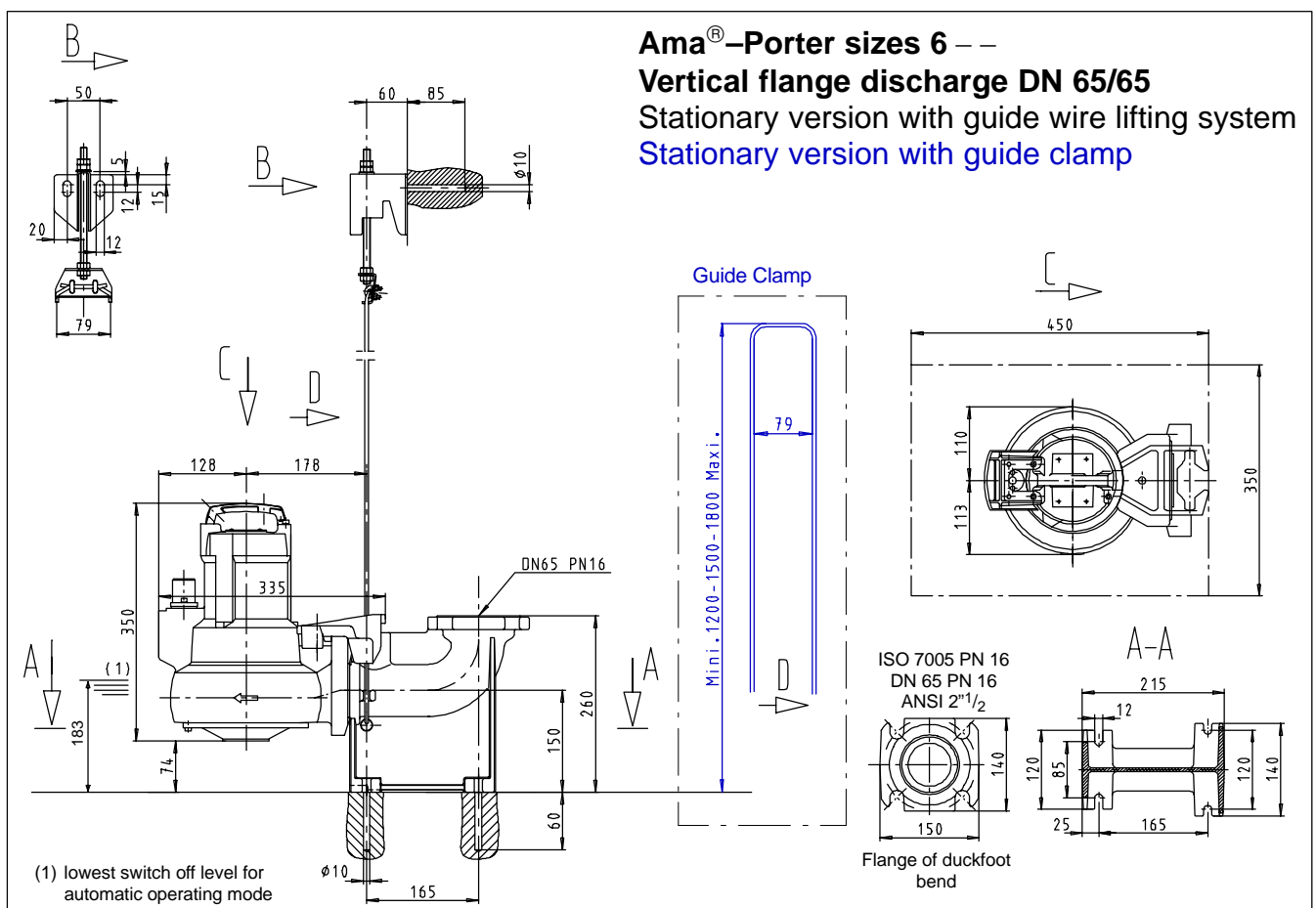
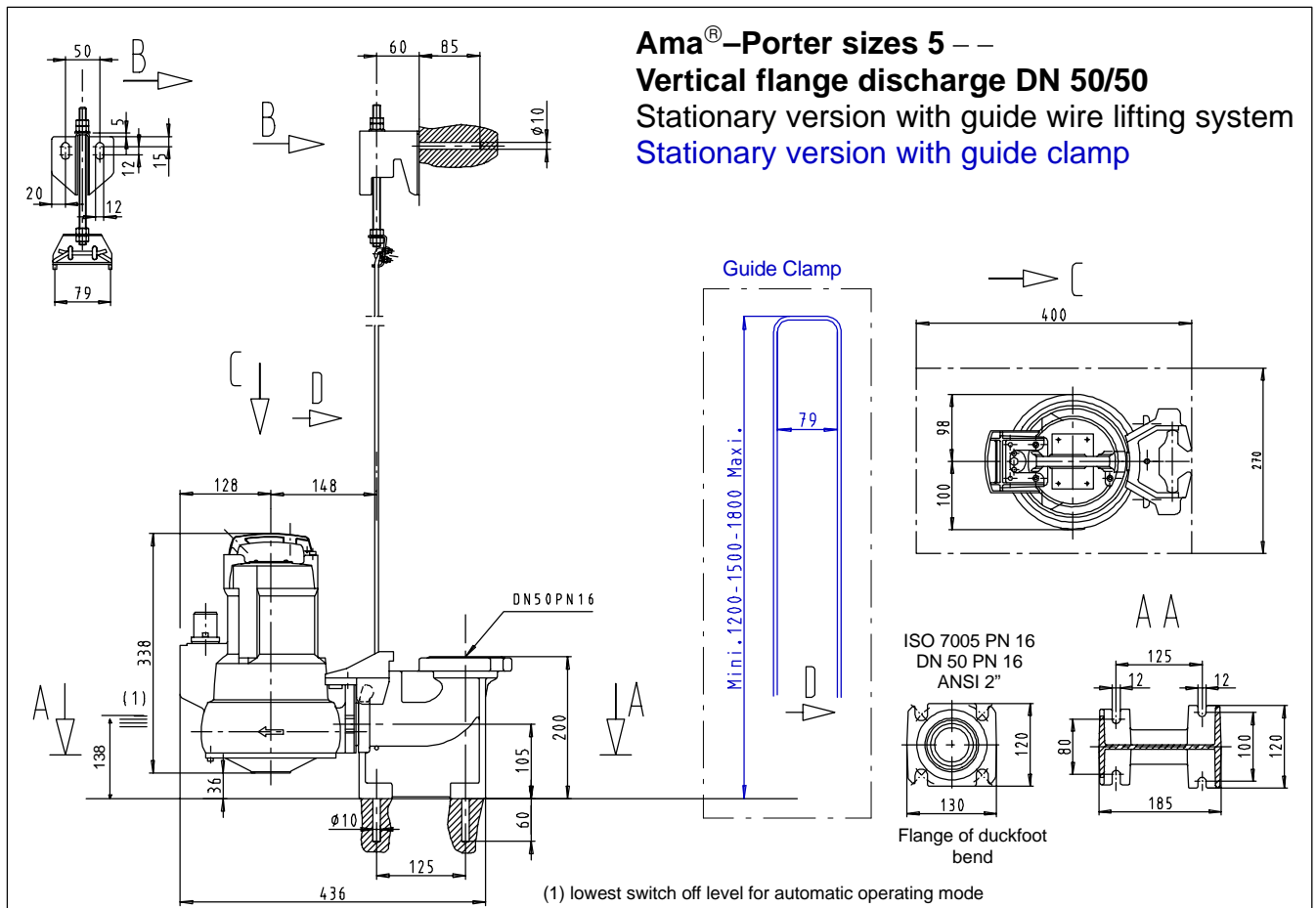


Ama[®]-Porter sizes 6 --

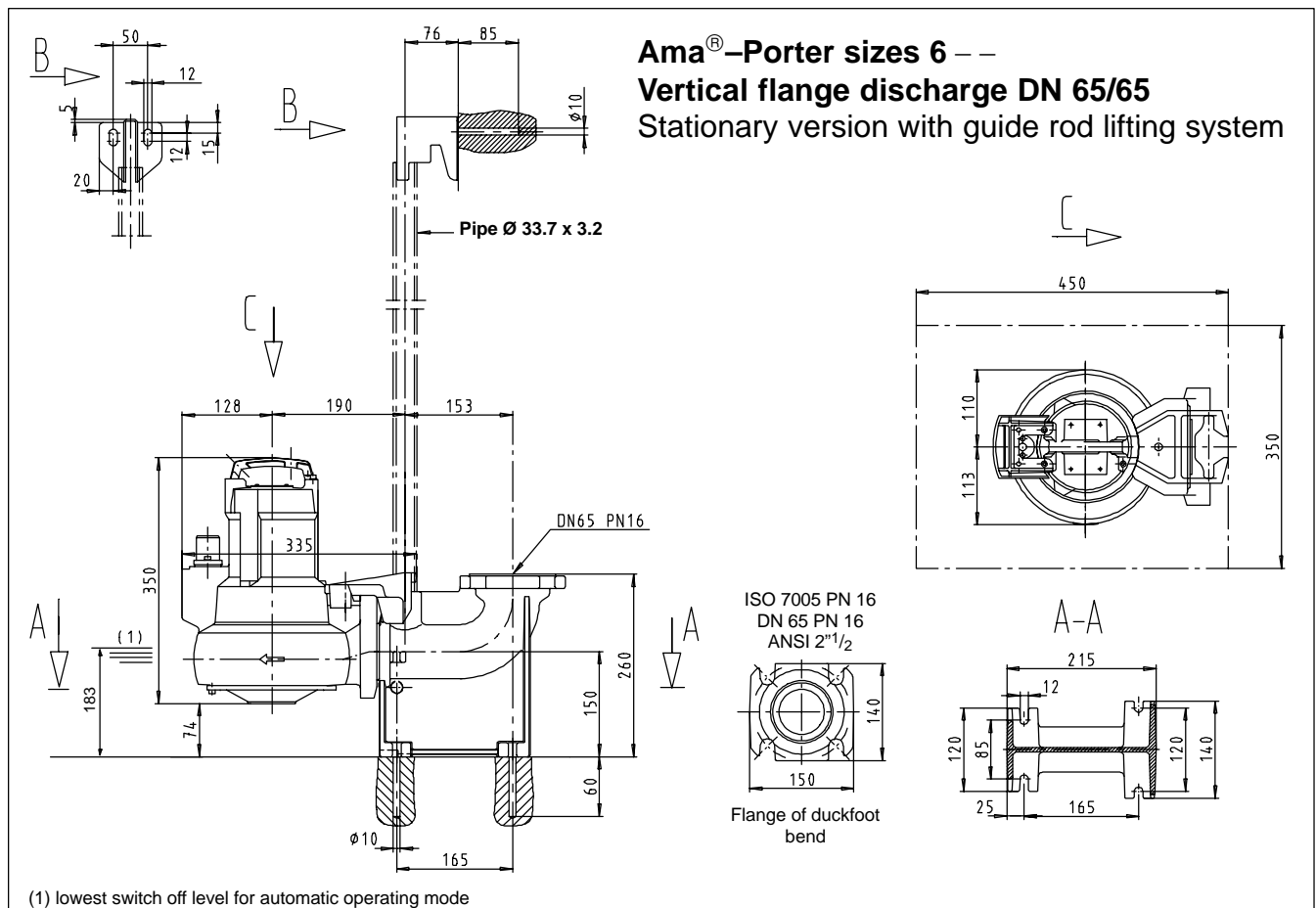
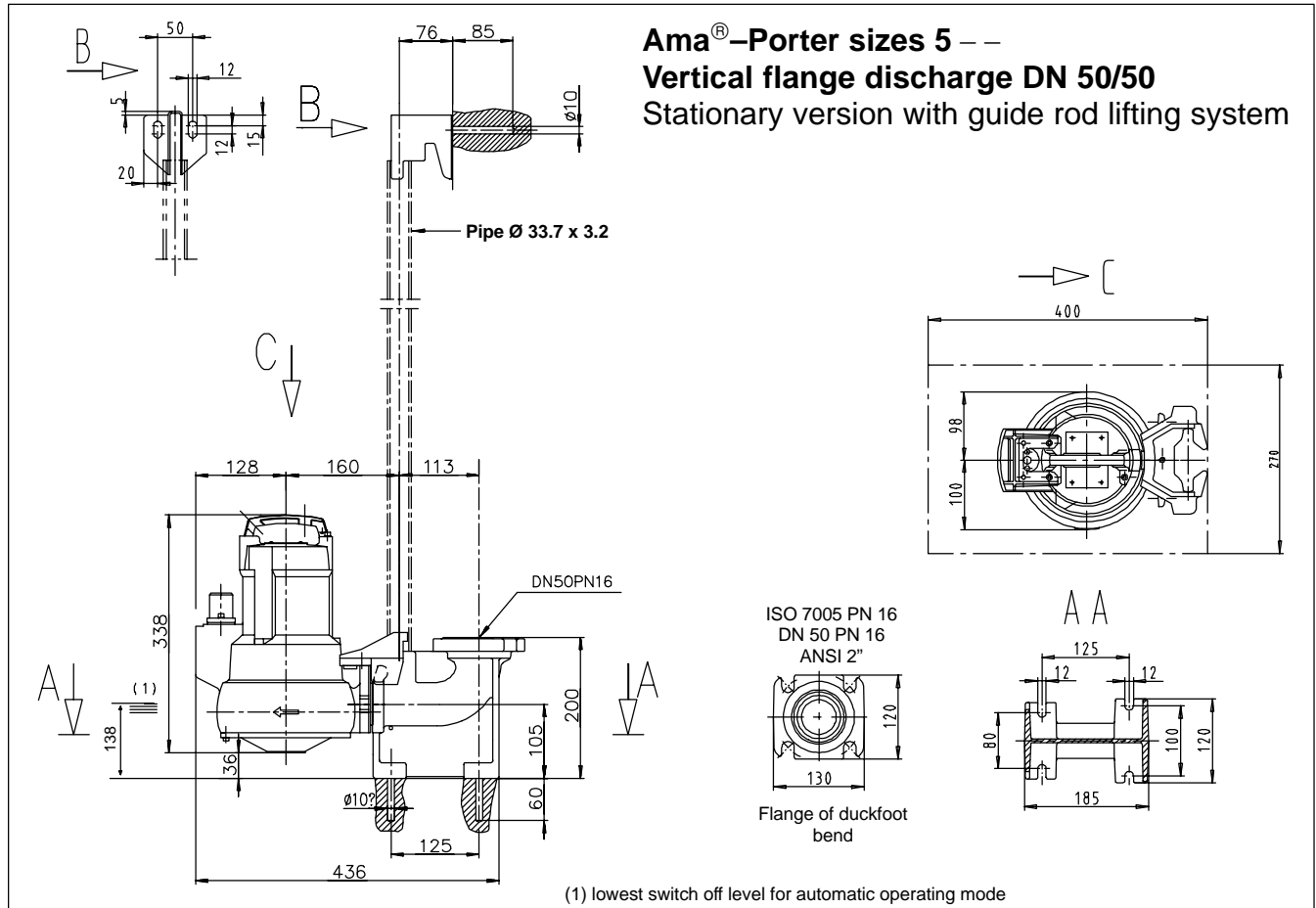
Transportable version



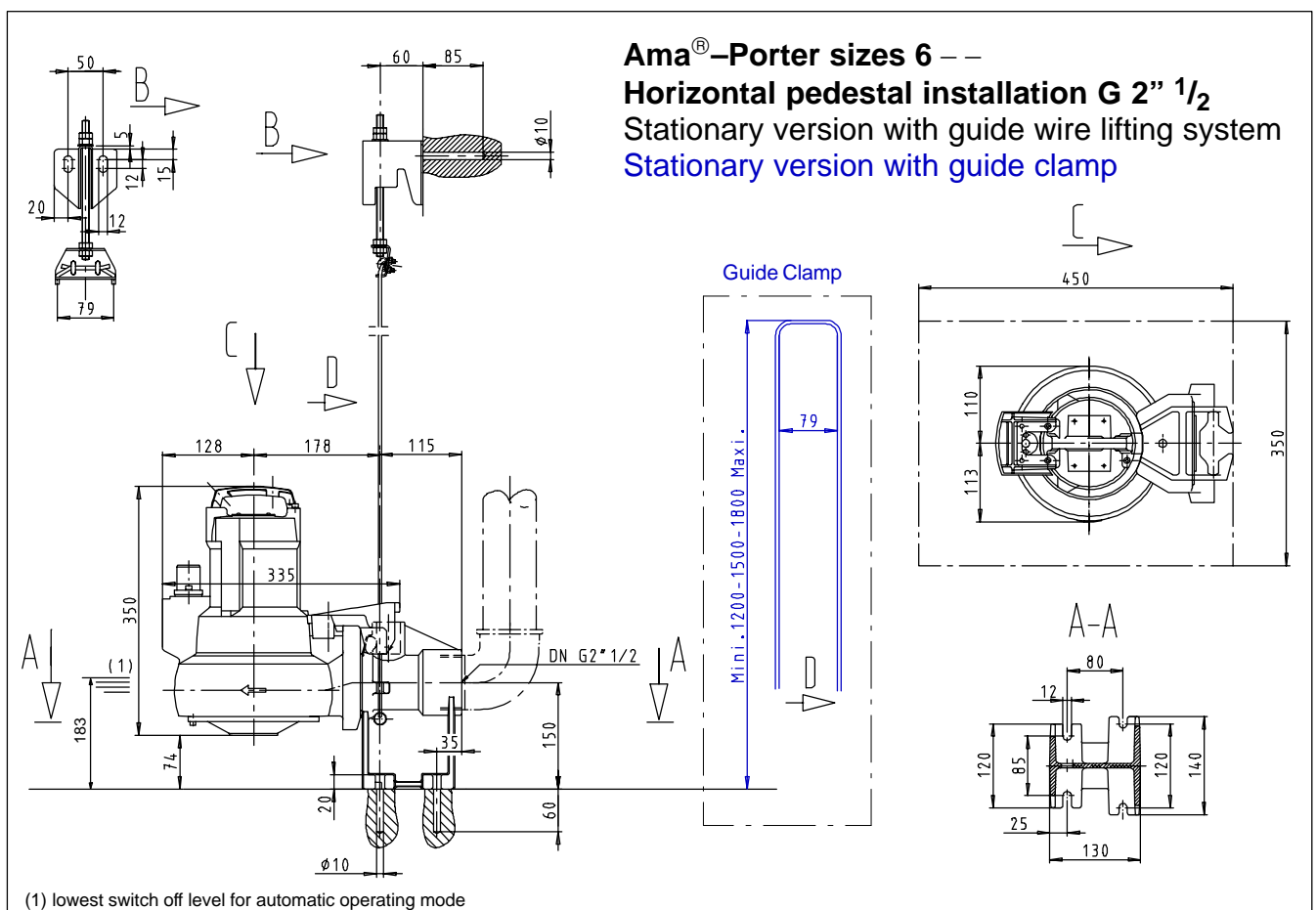
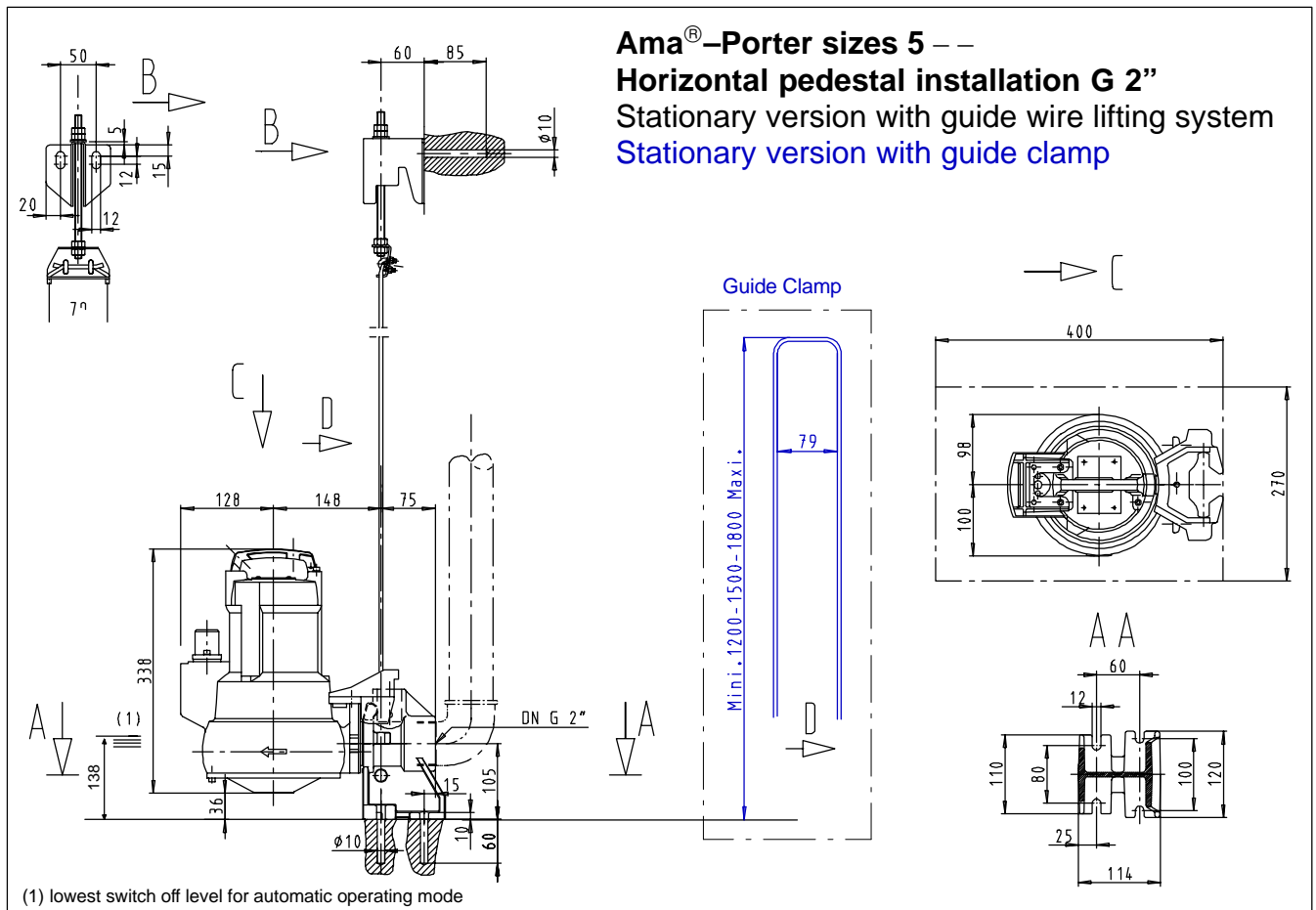
Dimensions



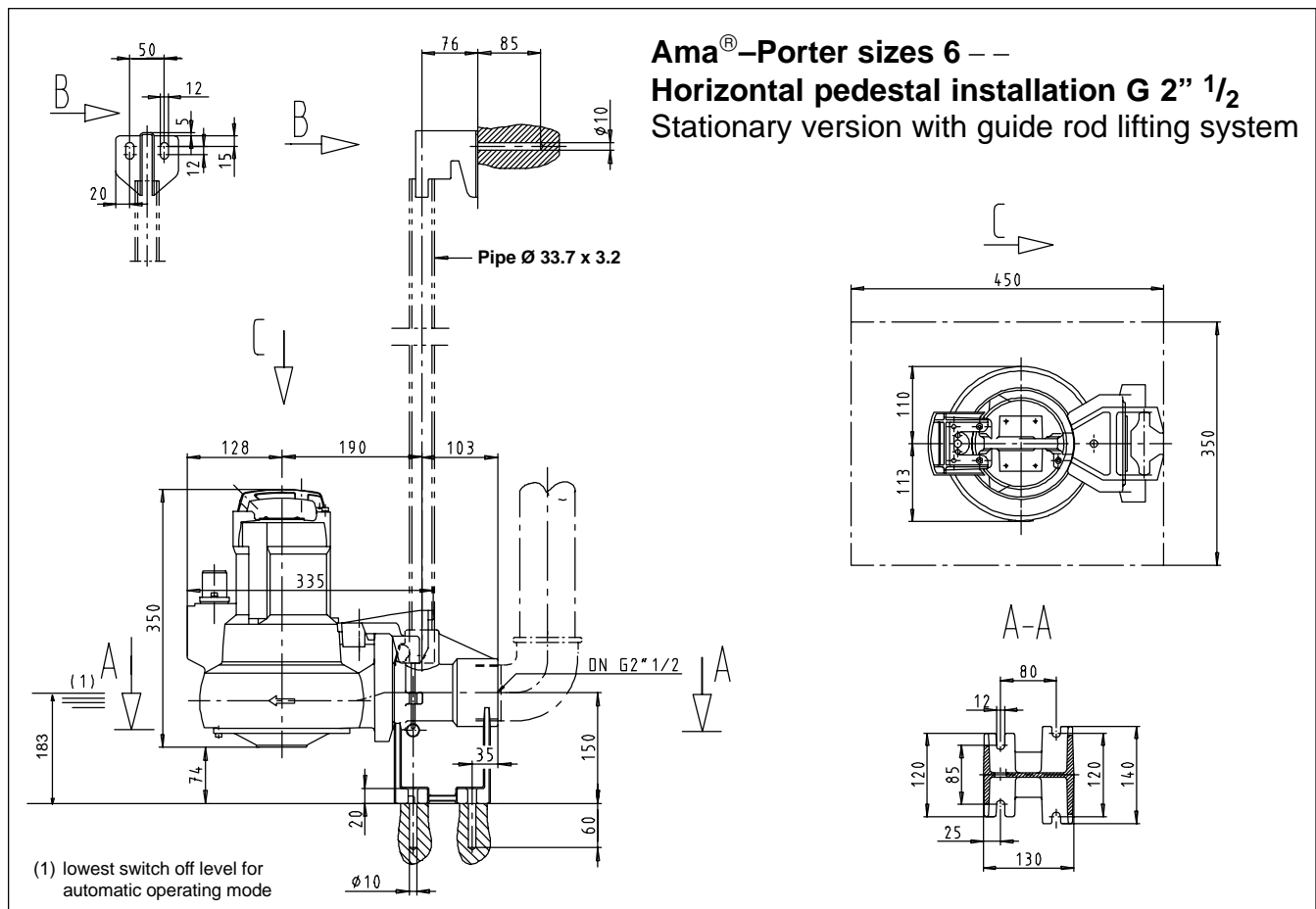
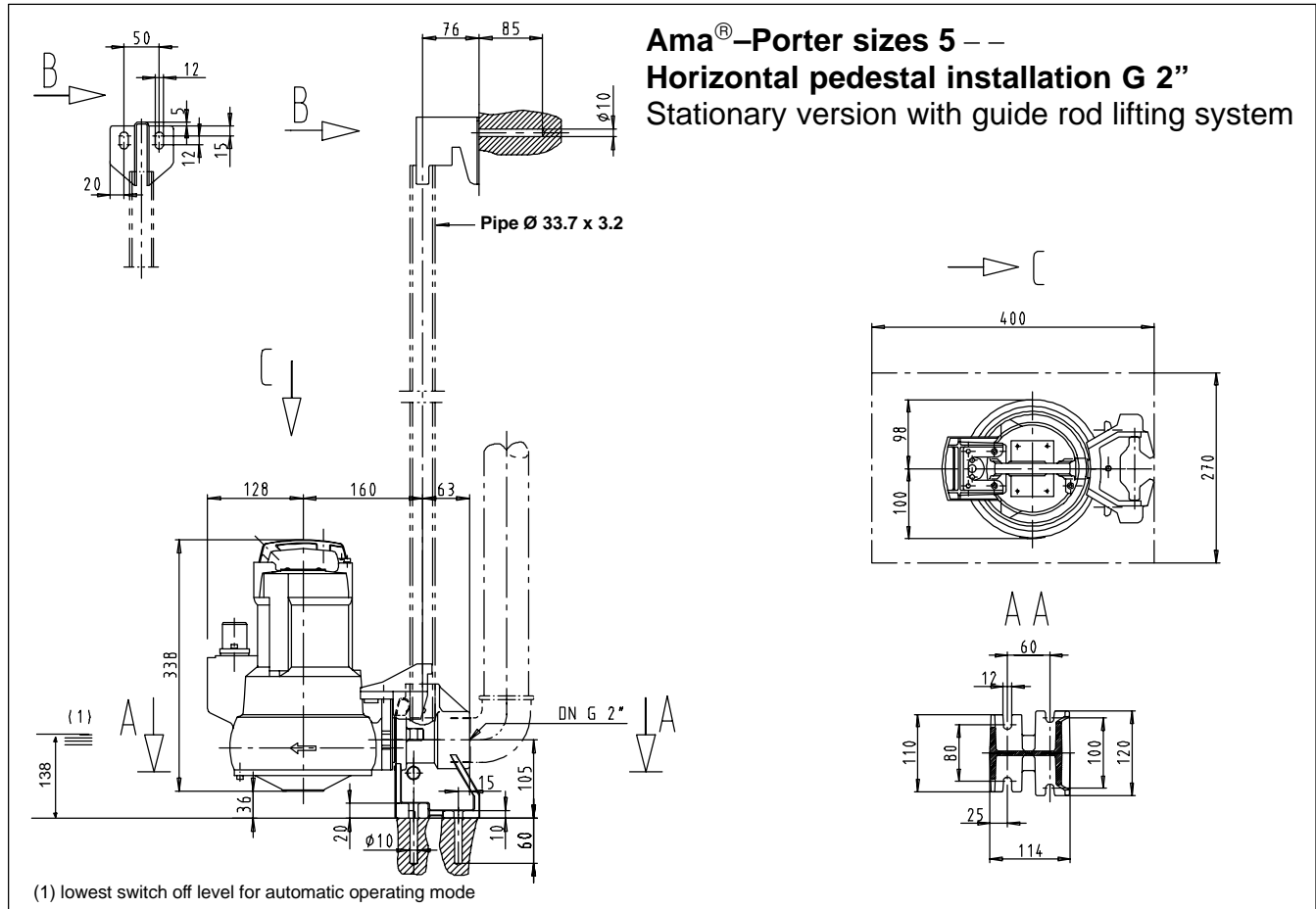
Dimensions



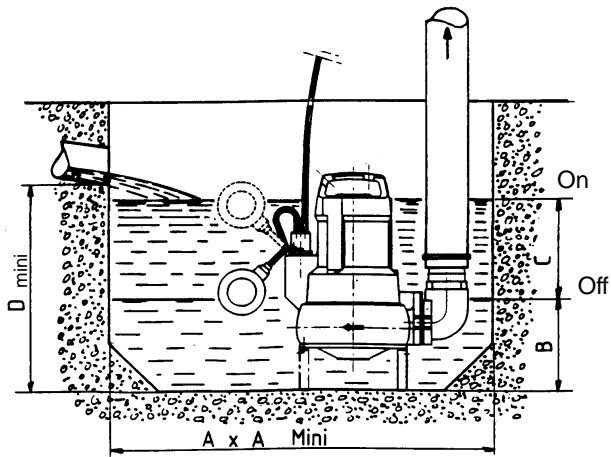
Dimensions



Dimensions



Installation in a sump



Dimensions in mm

	A	B	C	D
Ama-Porter 5 --	600 x 600	160	190	450
Ama-Porter 6 --	600 x 600	170	190	480



KSB S.A.
128, rue Carnot – 59320 Sequedin (Lille)
B.P. 95 – 59482 Haubourdin Cedex – France

- Phone : +33 3 20 22 70 00
- Fax : +33 3 20 22 71 47

• <http://www.ksb.com>