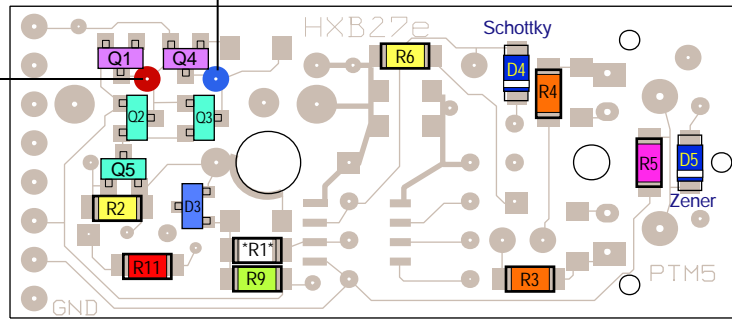


# Hexbug Up-grade HXB27e PC Board assembly sequence

Blue Motor Wire

Q1,4 - NDS332P    Q2,3,5 - NDS331N    D3 - ZXRE4041 (Vref)

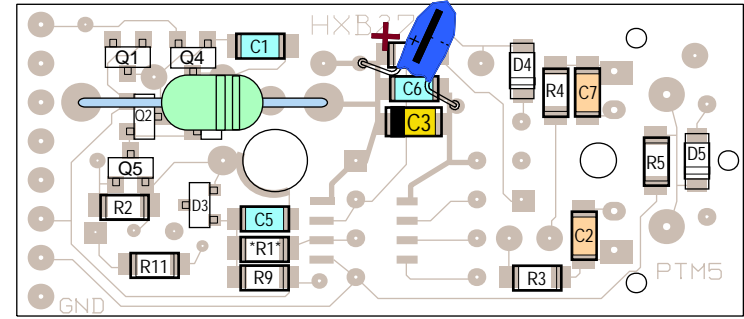
Red Motor Wire



- 300 ohm
- 1K
- 100 K
- 12 K
- 2 K

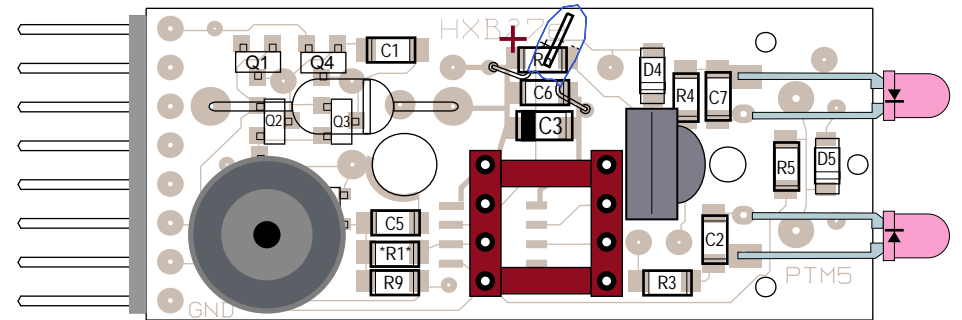
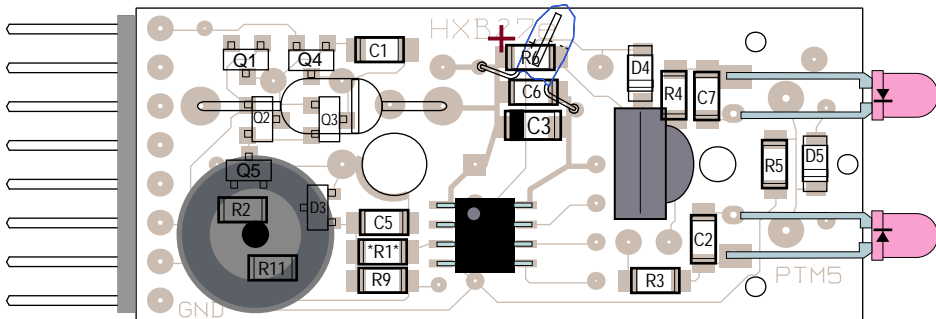
- 1) Mount Resistors, Vref, Diodes and MOSFETs  
[ \*R1\* is not normally needed. It is included in the design for experimental purposes. ]

L1 - 470uh Inductor    ( C3 - Alternate 10uf Tant. Cap. + to outer edge )

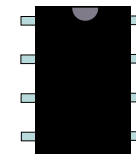


- .01 uf
- .1 uf
- 10 uf Tant.

- 2) Mount the Inductor and capacitors  
[Alternate leaded Tant. Cap. can be used instead of a chip version.]



- 3) Mount the Piezo and LEDs. Note the LED polarity. Sleeve their leads. Be sure to install the antenna on the BOTTOM side of the board. The IR Module can be mounted now or later. Finally, solder in either the surface mount PIC or an 8 pin socket.



After all testing is done, solder in the antenna, and -  
**BE SURE TO MOUNT THE ANTENNA ON THE BOTTOM SIDE OF THE BOARD**