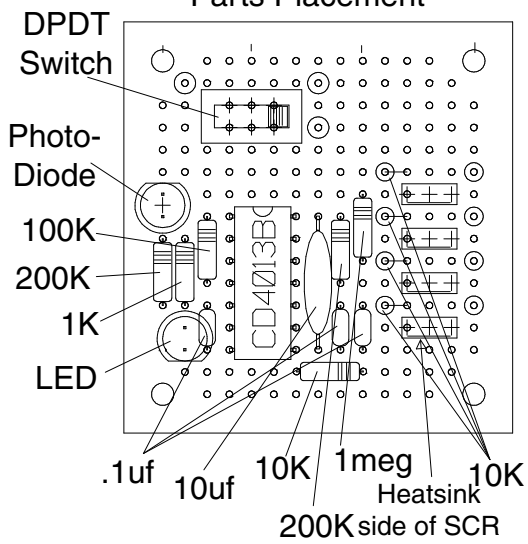
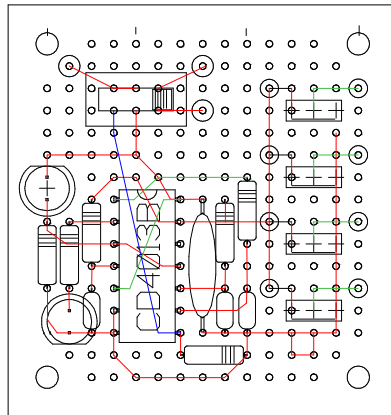


Top view,  
Parts Placement



Top view, Connections  
viewed through board



Bottom view, Connections  
(Mirrored)

