

Cree Edge™ Series Pole



Cree Edge™ High Output Area



Cree Edge™ Area Square



Cree Edge™ Area Round



The product that helped start a revolution.

Successfully launched in 2007, Cree Edge™ Area luminaires helped set the standard for performance and value. Available in a variety of LED counts, multiple power conditions and more than 20 optical distributions, Cree Edge™ Area luminaires offer a scalable solution that provides exacting illumination performance. And with several upgrade-friendly mounts to choose from, product advances and the expansion of the line that now includes a truly high output solution, Cree Edge™ Area luminaires offer more value and versatility today than ever before.

BENEFITS

- Improved illumination performance
- Significant energy and maintenance savings
- Eliminate the relamping cycle
- Standard 10-year limited warranty

FEATURES

- Minimum 70 CRI
- CCT: 4000K (+/-300K), 5700K (+/-500K)
- Utilizes BetaLED® Technology
- UL wet listed
- Meets Buy American requirements within ARRA
- Two-Level options
- Optional backlight cutoff shield
- Modular, low-profile design

APPLICATIONS

- Airport, auto dealership, corporate & office, education, government & municipal, healthcare, industrial & warehouse, pedestrian & recreation, petroleum & convenience store, restaurant & hospitality, retail & grocery, roadway

Cree Edge™ Series Pole

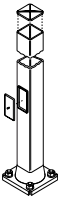
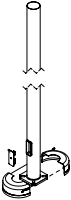




Ordering Information

Example: ARE-EDR-2M-AA-06-D-UL-SV-525-DIM

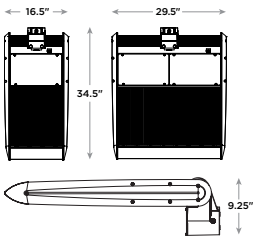
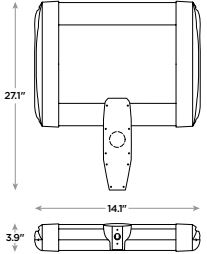
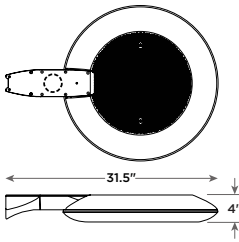
PRODUCT	FAMILY	OPTIC	MOUNTING	# OF LEDS (X10)	LED SERIES	VOLTAGE	COLOR OPTIONS	DRIVE CURRENT	FACTORY INSTALLED OPTIONS									
ARE	EHO EDR EDG	1S Type 1 Short	2MB Type 2 Medium w/ Backlight Shield	AA Adjustable Arm	02	D	UL Universal 120-277V UH Universal 347-480V 12 120V 27 227V 34 347V	SV Sliver BZ Bronze BK Black WH White PB Platinum Bronze	350 350mA 525 525mA 700 700mA 1000 1000mA	40K 4000K CCT DIM 0-10V Dimming F Fuse HL High/Low (175/350/525, Dual Circuit Input) P Photocell R NEMA Photocell Receptacle ML Multi-Level TL Two-Level (175/525) w/ Integrated Sensor Control UP Uplight Configuration								
		2M Type 2 Medium	2SB Type 2 Short	DA Direct Arm	04						06	08	10	12	14	16	20	24
		3M Type 3 Medium	4M Type 4 Medium	DL Direct Long Arm	R3 Post Top 2-3/8" to 3" OD						R4 Post Top 4" Square	R5 Post Top 5" Round Pole	DM Direct/Surface					

* Ordering information is for reference only. Some product configurations are not available. Please consult spec sheets for specific product availability and for further details.

Poles & Tenon Options

POLE SPECIFICATION				TENON OPTIONS	
Consult factory for more information.				Consult factory for more information.	
					
PS Crown-Weld® Square Straight Steel Poles	PSSR Round Steel Poles	PSCV Curved Round Tapered Steel Poles	PSRV Round Tapered Steel Poles	PA - Aluminum Square Internal Mount Vertical Tenons	PD - Square Internal Mount Horizontal Tenons
				PB - Steel Square Internal Mount Vertical Tenons	PT - Round External Mount Horizontal Tenons

Dimensions

CREE EDGE™ HIGH OUTPUT AREA	CREE EDGE™ AREA SQUARE	CREE EDGE™ AREA ROUND
<p>DM Mount</p> 	<p>DA Mount</p> 	<p>DA Mount</p> 

You May Also Be Interested In:



CREE EDGE™ SERIES PARKING STRUCTURE p.110
Scalable, Versatile Streetlight Solutions



CREE EDGE™ SERIES SECURITY p.124
Security & Perimeter Lighting Solutions



CREE EDGE™ SERIES FLOOD p.116
Flood Lighting Solutions

Accessory Information

BIRD-SPIKE OPTIONS



- XA-BRDSPK**
(EDG and EDR models only)
- XA-BRDSPKXAK12**
(EHO models only for 120 LED luminaires)
- XA-BRDSPKXAK24**
(EHO models only for 240 LED luminaires)