

Specifications

Round Tapered Steel Pole

Pole Shaft

• Fabricated from coil stock, weldable grade, hot rolled commercial quality structural steel tube which has a wall thickness of 11 gauge or 7 gauge. Shaft conforms to ASTM specifications. Meets or exceeds minimum yield strength of 55,000 PSI. Shaft is furnished with ground lug inside pole, opposite hand hole opening.

Base Plate

• Fabricated from structural quality hot rolled steel. Meets or exceeds minimum yield strength of 36,000 PSI. Base is circumferentially welded to pole shaft. Bolt holes slotted to provide 1" flexibility on either side of bolt circle. Consult factory for pole base templates.
• Base templates provided with order. Do not pre-pour.

Base Cover

• Standard base cover is square and fabricated from heavy gauge quality aluminum. Two piece cover for easy installation.

Pole Cap

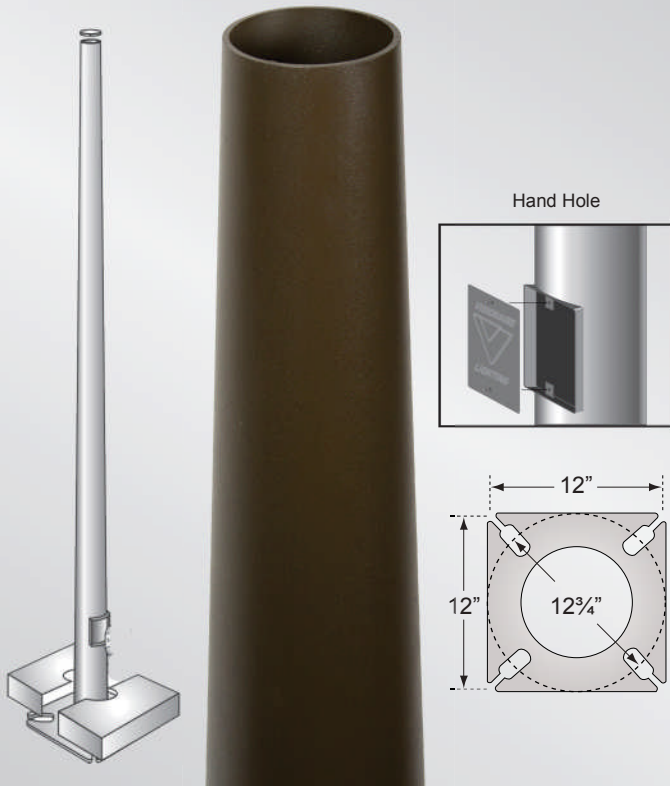
• Color-impregnated polymer snap-to-close pole cap provided in black.

Finish

• All poles are lightly shot-blasted prior to painting. A Quali-Guard® textured thermoset polyester powder coat is then applied to a minimum of 3 millimeters and then oven-baked at a temperature of 400 °F to promote exceptional adherence and finish hardness. Pole finish is warranted for a full two (2) years.

Anchor Bolts

• Poles are provided with hot-dip galvanized anchor bolts, with a "J" bend on one end and two flat hex bolts end and two flat washers per bolt. Anchor bolts meet or exceed a minimum of 36,000 PSI. Anchor bolts conform to ASTM F1554 grade 36 and are provided.



Model	Height	Gauge	Base	Anchorage	Mounting	Finish	Options
RTSP	20'	11 (11)	12" Base *12 3/4" BC (12BC)	1" x 36" (136)	<u>Bolt-On Arm</u> Single (S1) D180 (D2) D90 (D9) T90 (T9) T120 (T1) Quad (QD)	Bronze (BZ)	GFI Receptacle *Standard location is in hand hole (GFI)
	22'	7 (7)				Black (BK)	Coupling *Specify size and location (CUP)
	30'		White (WH)			Custom Bolt Circle *Consult factory (CBC)	
	35'		Tennis Green (GN)			Round Base Cover (RBC)	
	39'		Custom Base *Consult factory (CB)		<u>Tenon Options</u> 2 3/8" (T238R) 3" (T3R) 3 1/2" (T3.5R) 4" (T4R) 4 1/2" (T4.5R)	Forest Green (FG) Grey (GY) Silver Metallic (SL) Custom Color (CC)	Rust-Inhibiting Internal Coating & Primer (HCR) Single Banner Arm (SBA) Double Banner Arms (DBA)
					Galvanized *No paint (GAL)		
						Powder Over Galvanized (XX+GAL)	

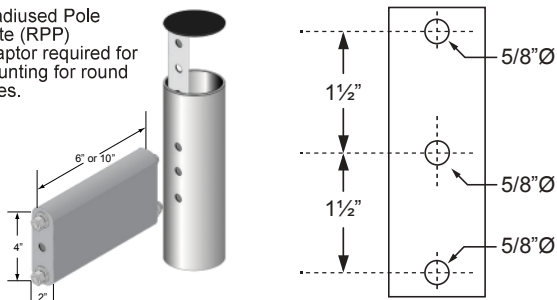
For more detailed information on mounting, wiring or installation instructions, please consult factory. If poles are not ordered with fixtures, please specify mounting requirements. This document contains proprietary information of Visionaire Lighting, LLC. Any use of this information requires the written approval of Visionaire Lighting, LLC. In keeping with our TQM policy of continuous improvement, Visionaire reserves the right to change any specifications contained herein without prior notice.

Pole EPA for Round Tapered Steel Poles

Pole Height	Maximum Allowable EPA (ft ²) with 1.3 gust factor									Base Diameter	Pole Gauge	Bolt Circle	Anchor Bolt Size	Pole Weight
	90 mph	100 mph	110 mph	120 mph	130 mph	140 mph	150 mph	160 mph	170 mph					
20'	20.6	15.8	14.5	16.7	13.3	11.0	9.1	7.6	6.3	6 ³ / ₈ "	11	12 ³ / ₄ "	1" x 36"	144
20'	32.2	25.2	23.2	26.0	20.9	17.7	14.9	12.7	10.8	6 ³ / ₈ "	7	12 ³ / ₄ "	1" x 36"	192
25'	20.3	15.3	13.9	14.4	11.0	8.9	7.1	5.6	4.3	7 ¹ / ₈ "	11	12 ³ / ₄ "	1" x 36"	209
25'	32.7	25.3	23.2	23.4	18.6	15.2	12.7	10.5	8.7	7 ¹ / ₈ "	7	12 ³ / ₄ "	1" x 36"	284
30'	16.3	11.7	10.4	11.9	8.8	6.7	5.0	3.6	2.4	7 ³ / ₄ "	11	12 ³ / ₄ "	1" x 36"	255
30'	31.3	23.9	21.8	20.5	16.0	12.8	10.3	8.3	6.6	7 ³ / ₄ "	7	12 ³ / ₄ "	1" x 36"	374
35'	14.8	10.2	8.9	10.0	6.9	4.7	3.0	1.7	N/A	8 ³ / ₈ "	11	12 ³ / ₄ "	1" x 36"	315
35'	30.0	22.5	20.4	18.5	14.3	11.2	8.7	6.6	4.6	8 ³ / ₈ "	7	12 ³ / ₄ "	1" x 36"	420
39'	15.5	10.4	9.0	8.7	5.7	3.6	1.8	N/A	N/A	9 ⁵ / ₈ "	11	12 ³ / ₄ "	1" x 36"	359
39'	32.2	24.0	21.7	17.5	13.2	10.0	7.4	5.2	3.4	9 ⁵ / ₈ "	7	12 ³ / ₄ "	1" x 36"	510

2 x 4 BOA Drill Pattern

*Radiused Pole Plate (RPP) Adaptor required for mounting for round poles.



2 x 6 BOA Drill Pattern

*Radiused Pole Plate (RPP) Adaptor required for mounting for round poles.

