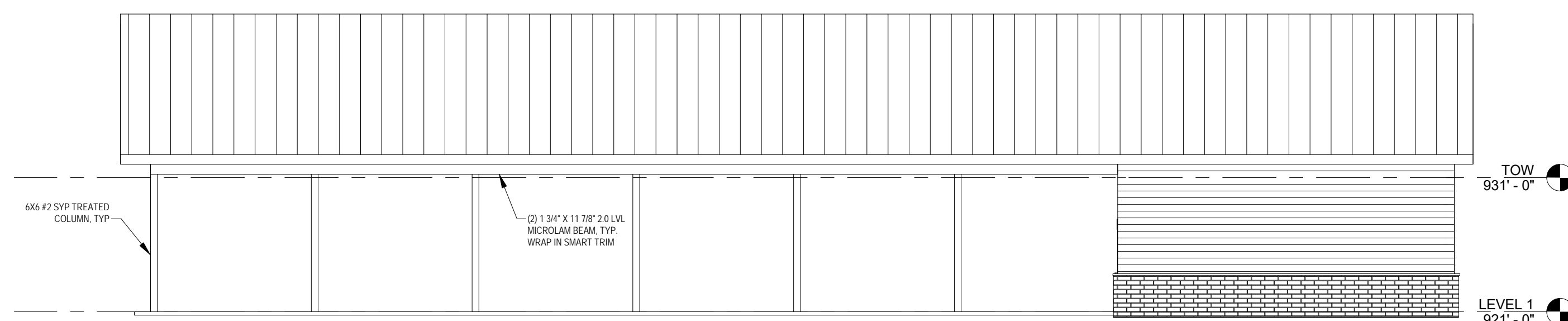




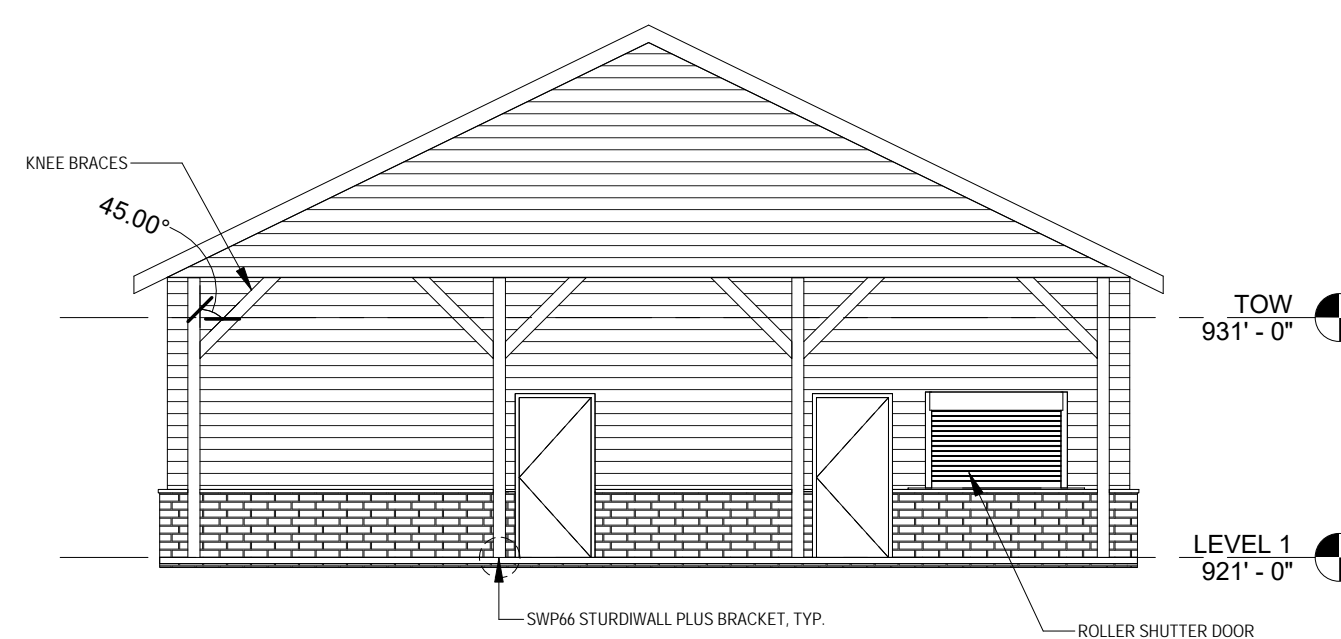
PO BOX 543
McFARLAND, WI 53558
608 . 669 . 2907
dkdesignbid.com

DK DESIGN BUILD, LLC HOLDS ALL RIGHTS INCLUDING THE COPYRIGHT OF THIS DOCUMENT. AS WELL AS THE CONCEPTS AND DESIGNS INCORPORATED HEREIN AS AN INSTRUMENT OF SERVICE. AS PROPERTY OF DK DESIGN BUILD, LLC. IT IS NOT TO BE COPIED, DISTRIBUTED, OR USED IN WHOLE OR PART WITHOUT THE EXPRESS WRITTEN CONSENT OF DK DESIGN BUILD, LLC.

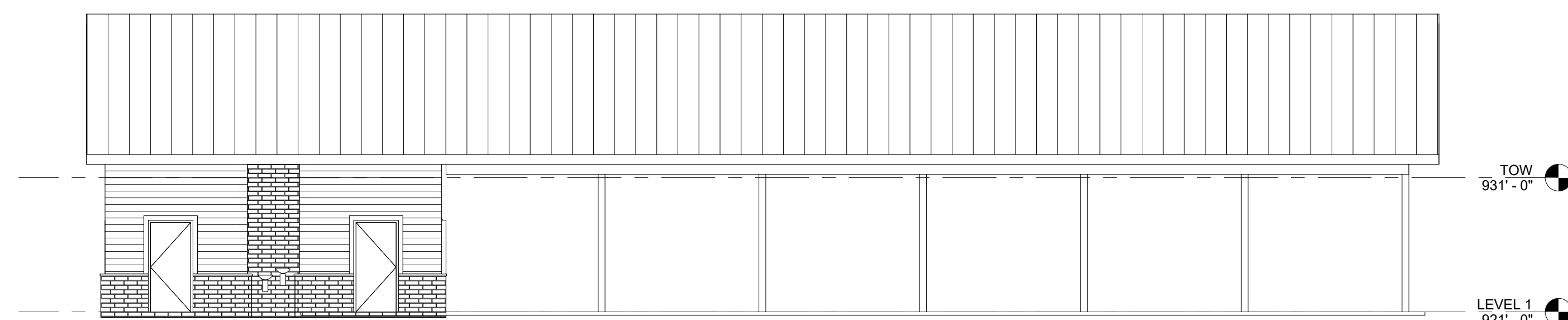
Consultant



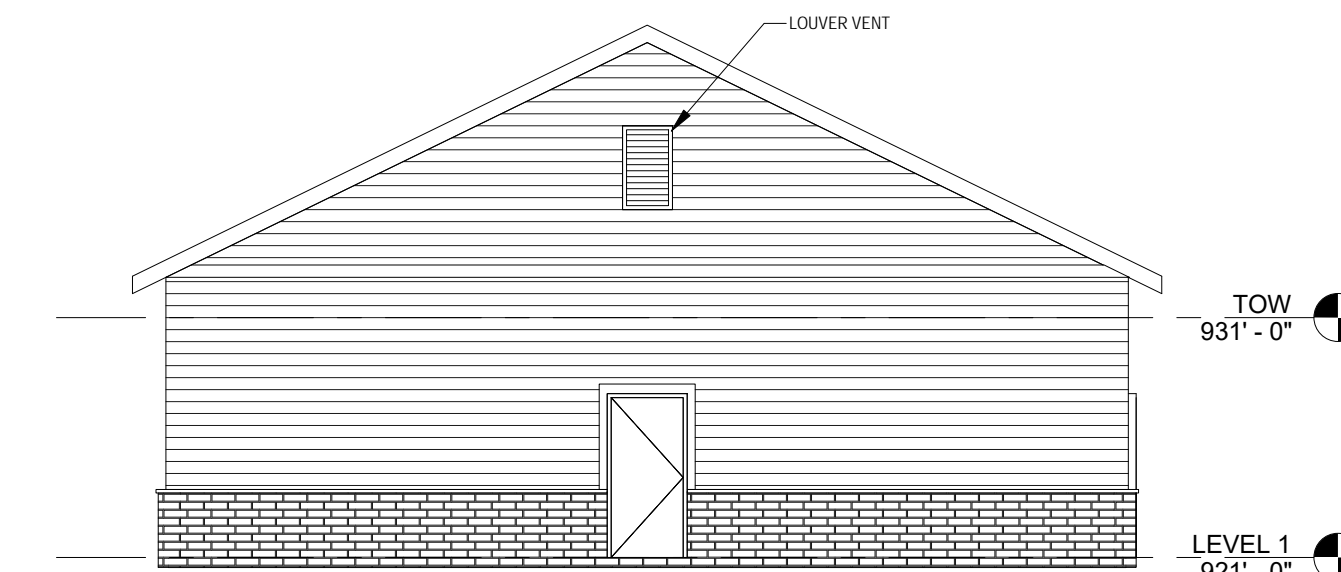
5 SOUTH
1/8" = 1'-0"



3 WEST
1/8" = 1'-0"



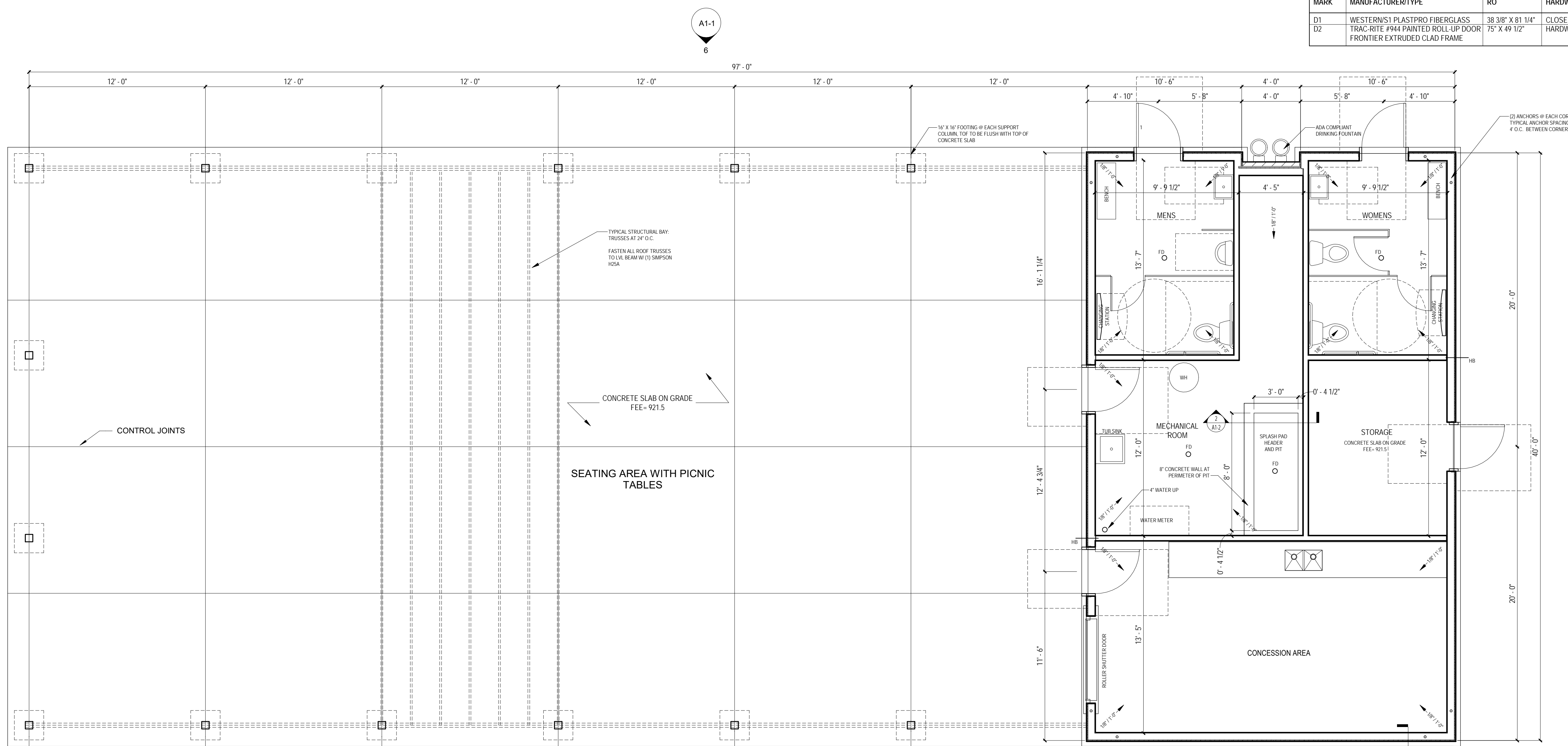
4 NORTH
1/8" = 1'-0"



2 EAST
1/8" = 1'-0"

DOOR SCHEDULE

MARK	MANUFACTURER/TYPE	RO	HARDWARE NOTES	QUANTITY
D1	WESTERN/S1 PLASTPRO FIBERGLASS	38 3/8" X 81 1/4"	CLOSER. REFER TO SPEC	5
D2	TRAC-RITE #944 PAINTED ROLL-UP DOOR	75" X 49 1/2"	HARDWARE PER MANUFACTURER	1
	FRONTIER EXTRUDED CLAD FRAME			



1 LEVEL 1
1/4" = 1'-0"

Revision

Drawing
07/17/2017

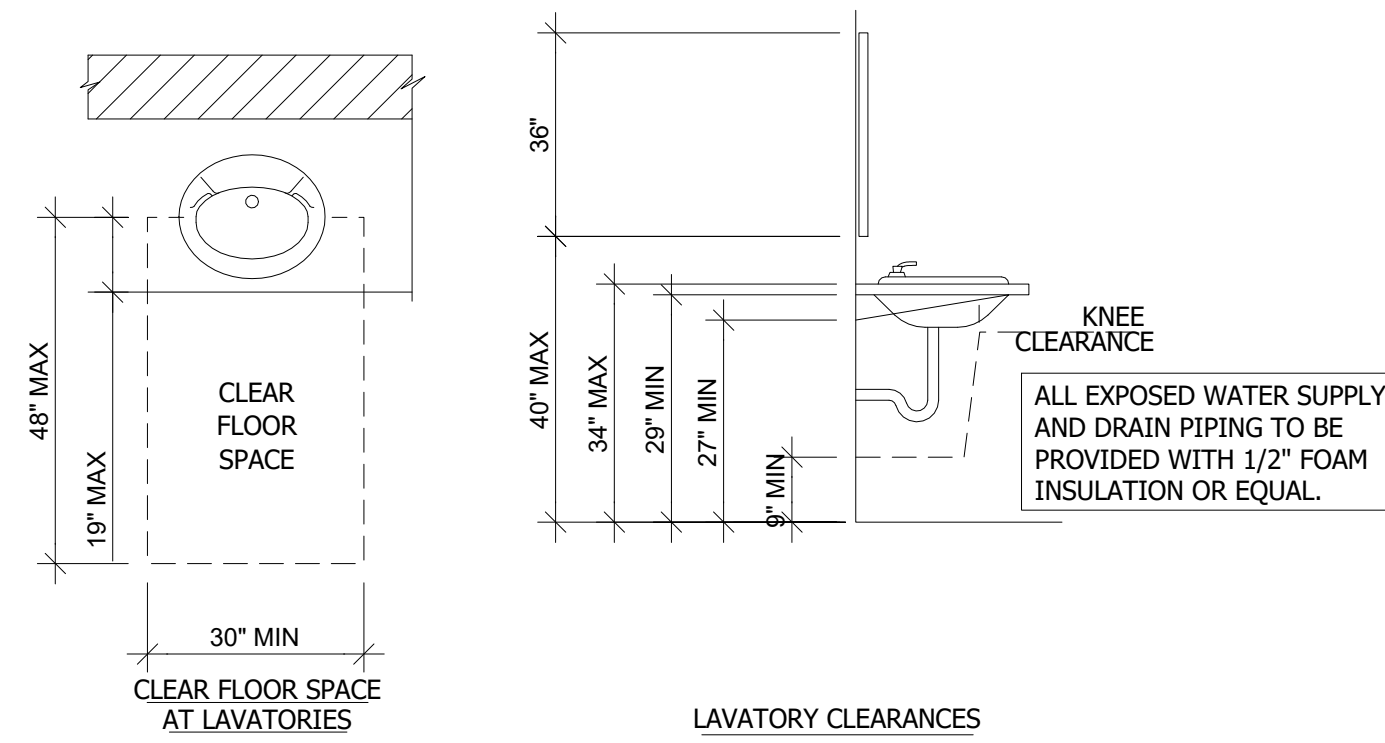
NORDIC RIDGE
PARK

NORDIC RIDGE
STOUGHTON, WI 53589

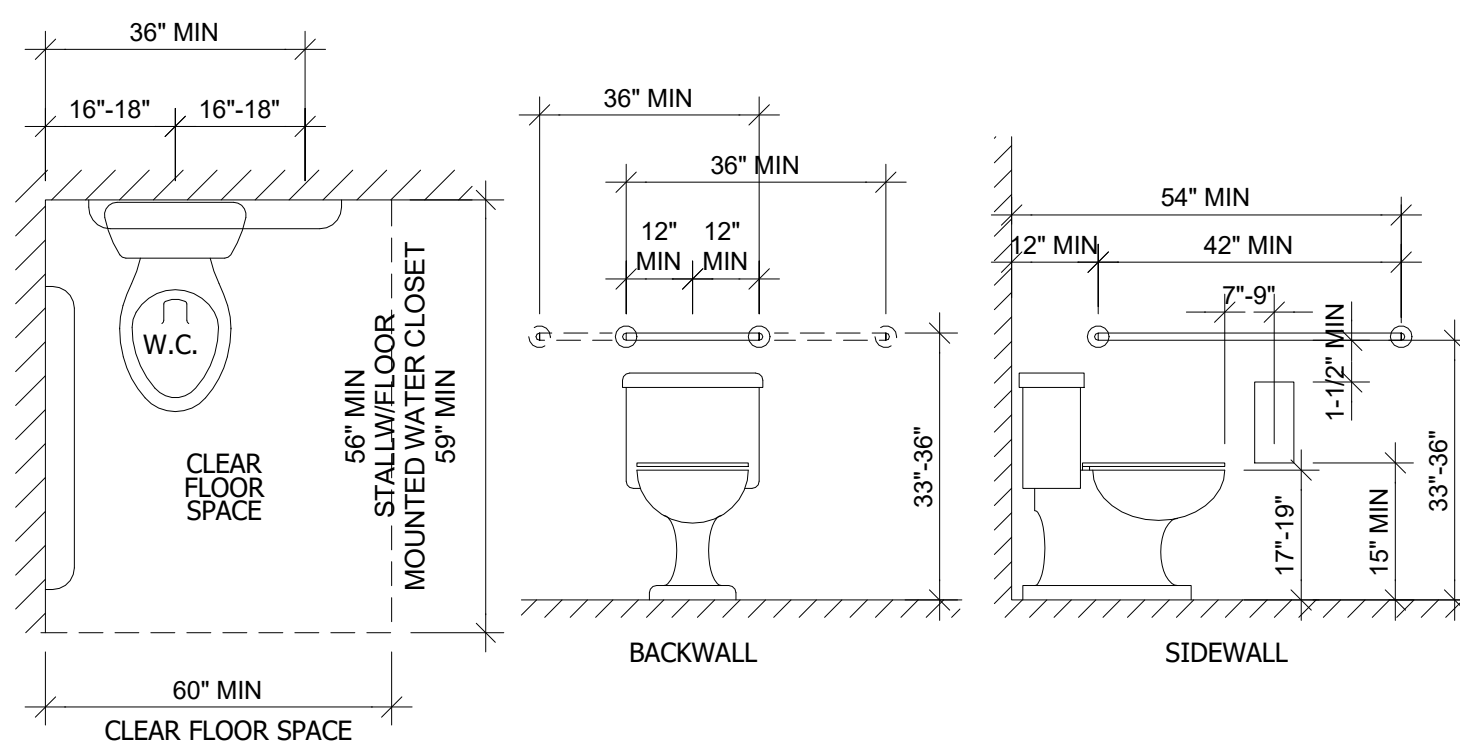
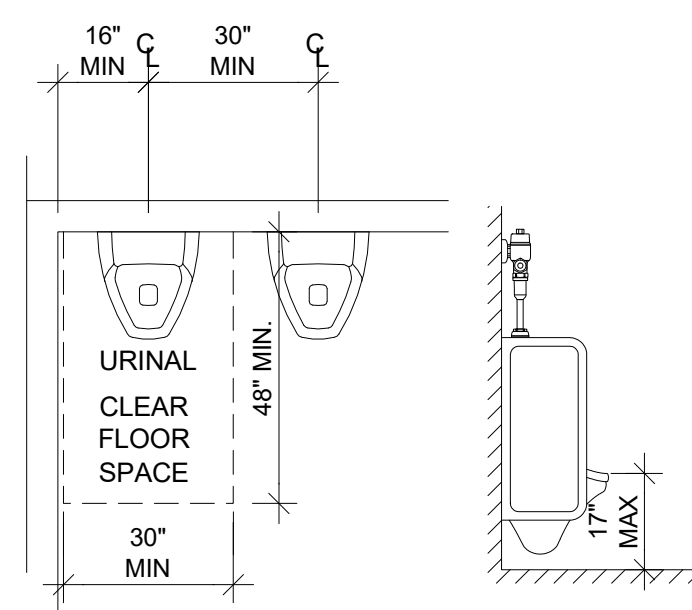
Project No.
1606

NORDIC RIDGE PARK
SHELTER

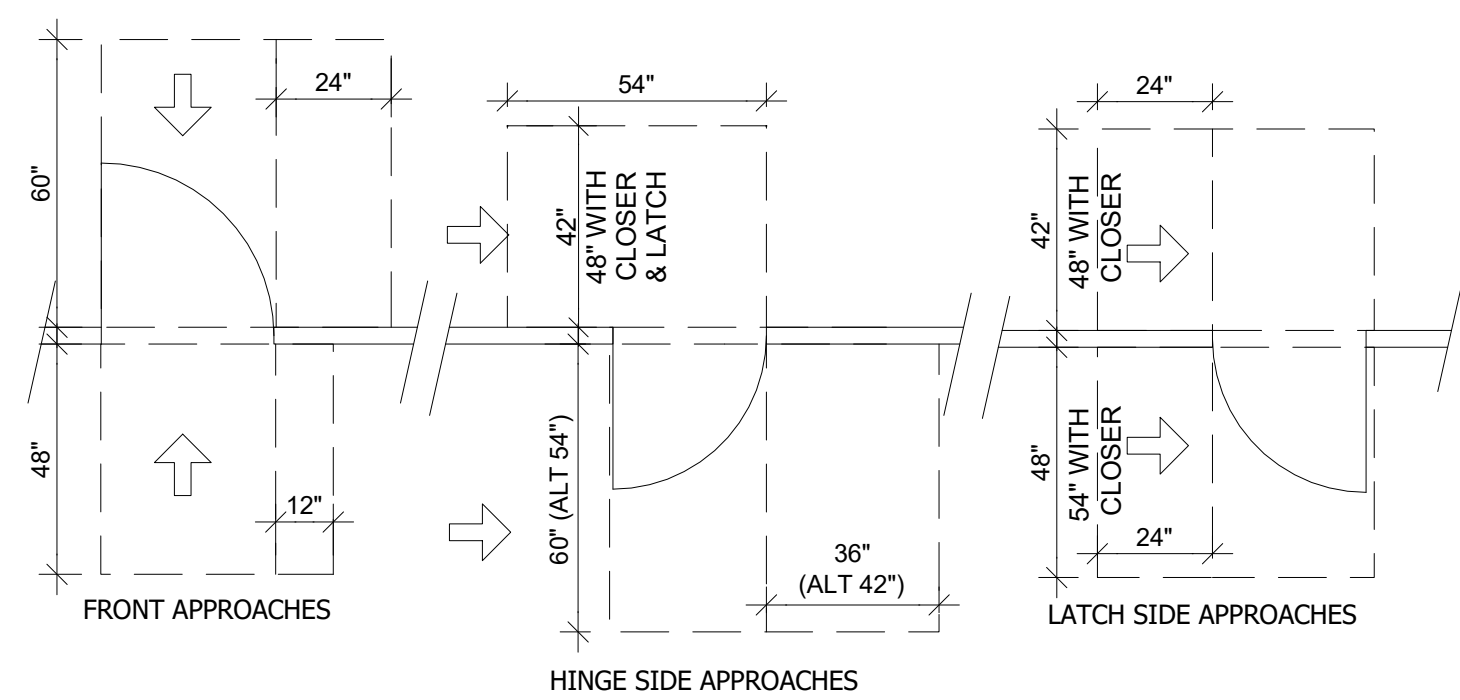
A1-1



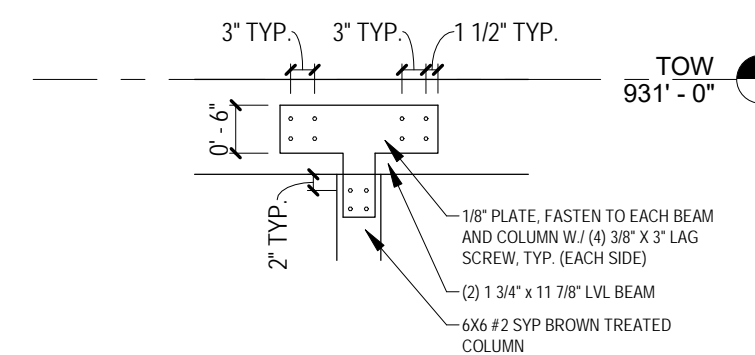
9 LAVATORY DETAILS
1/2" = 1'-0"



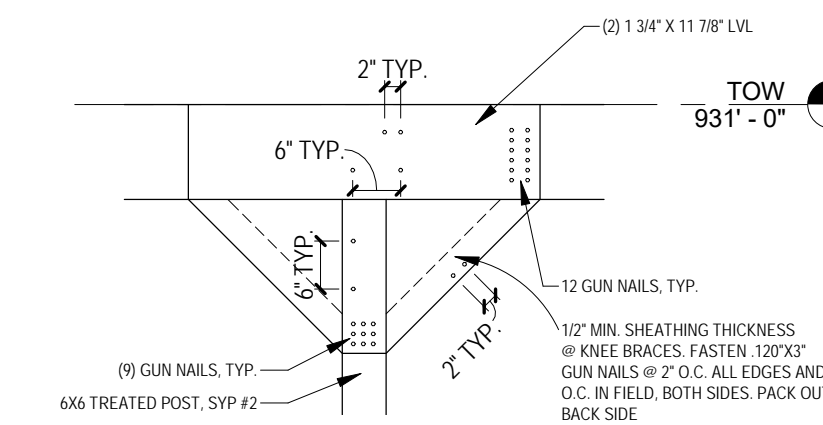
8 TOILET DETAILS
1/2" = 1'-0"



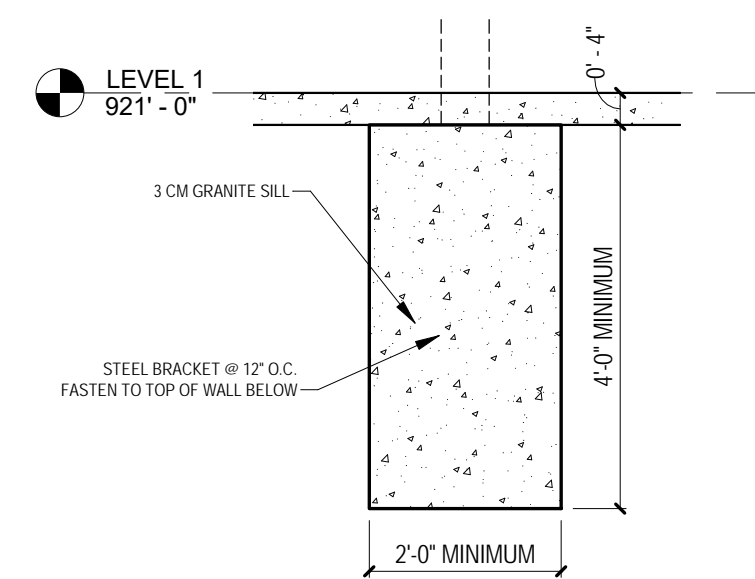
7 DOOR CLEARANCES
1/2" = 1'-0"



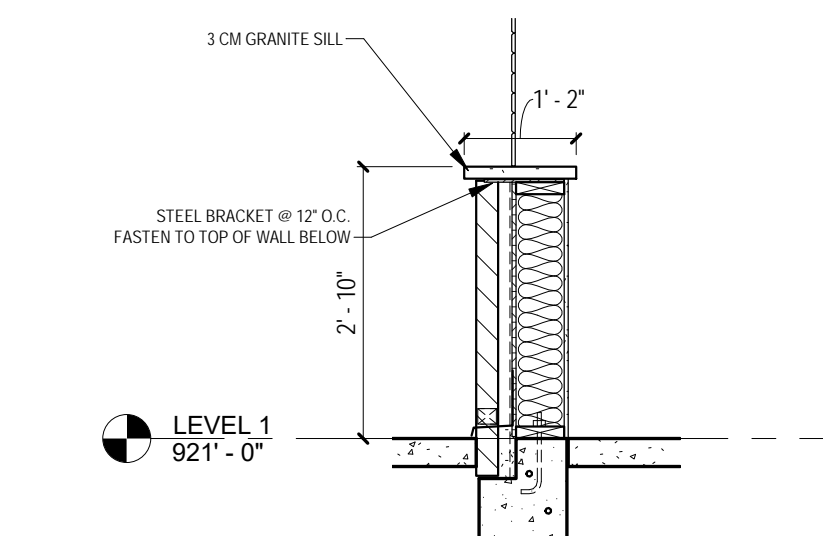
6 BEAM TO POST CONNECTION DETAIL
1/2" = 1'-0"



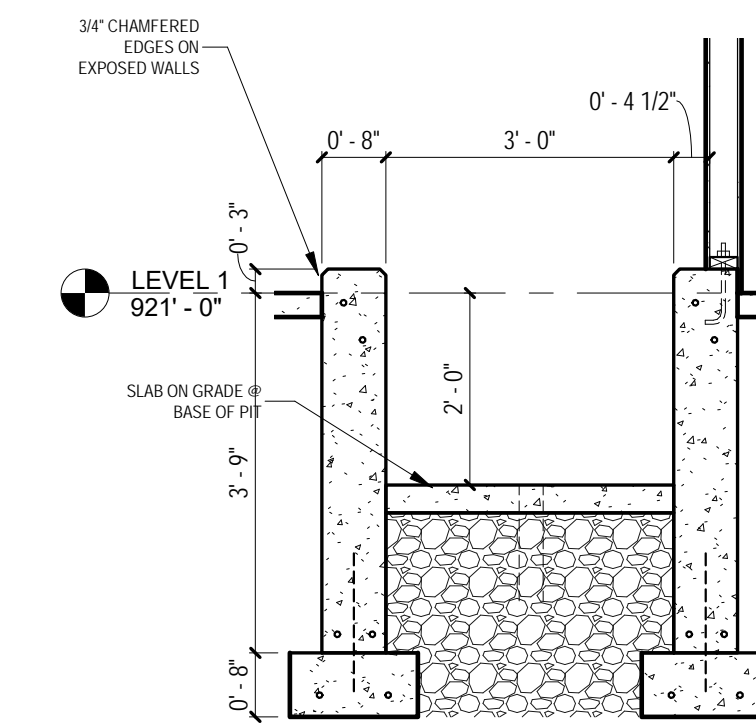
5 KNEE BRACE CONNECTION @ ENDWALL
1/2" = 1'-0"



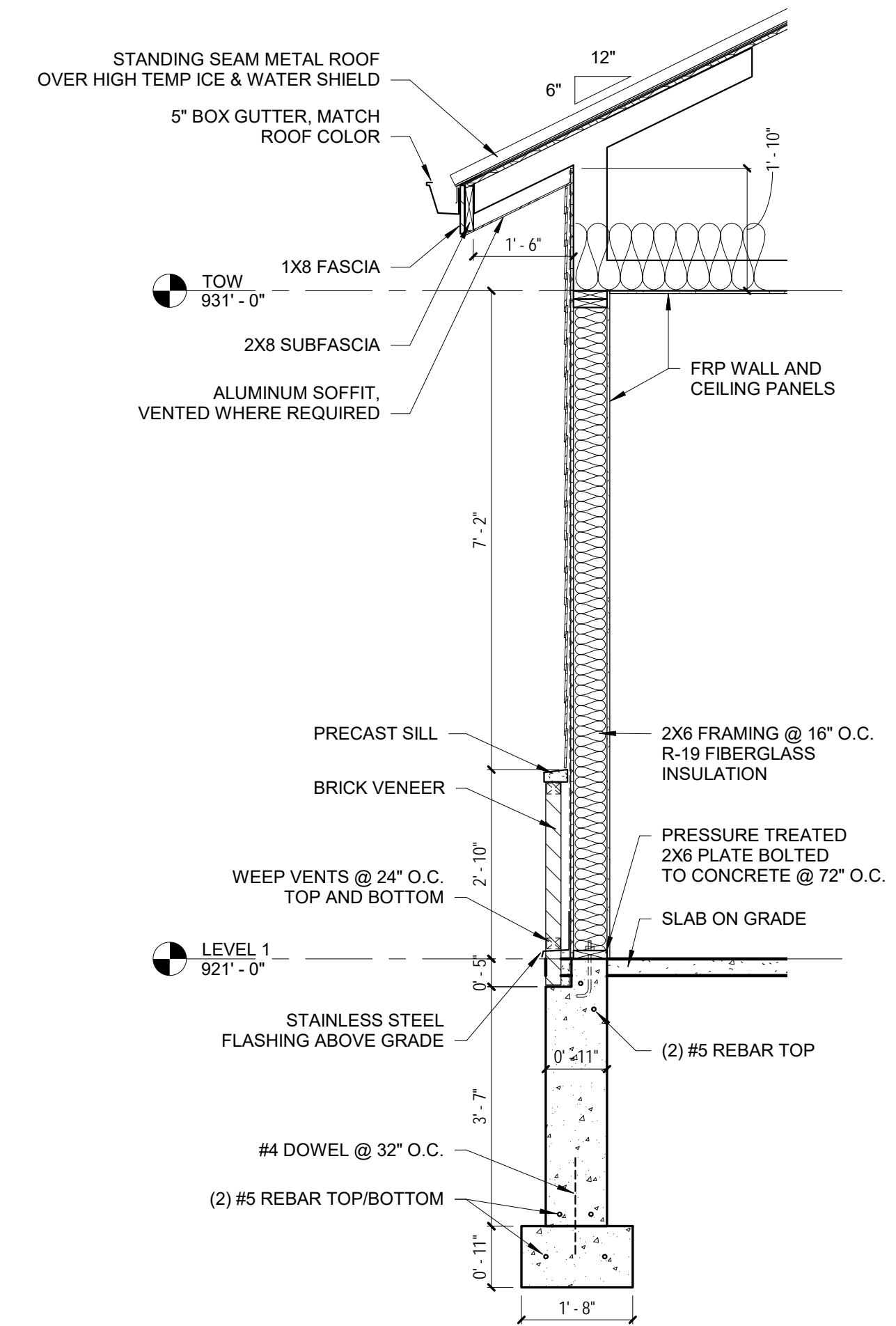
4 COLUMN FOOTING DETAIL
1/2" = 1'-0"



3 SHUTTER DOOR SILL
1/2" = 1'-0"



2 PIT SECTION
1/2" = 1'-0"



1 WALL SECTION
1/2" = 1'-0"

Revision

Drawing

07/17/2017

NORDIC RIDGE PARK

NORDIC RIDGE
STOUGHTON, WI 53589

Project No.

1606

NORDIC RIDGE PARK SHELTER

A1-2