



AquaLiv Water System – Model A305 Usage & Installation Instructions

Welcome to AquaLiv Water and congratulations! You just purchased the most complete and comprehensive water purification and enhancement system available today.

The AquaLiv Water System produces *energized, structured, alkaline water* - just as nature intended. AquaLiv Water hydrates the body rapidly, boosts metabolism, increases circulation and blood oxygen levels, and detoxifies.

Enjoy the water!

DAILY USE

Some AquaLiv technologies require water to be moving, while others require water to be still. Therefore, it will take 24 hours of normal use for the system to 'charge up' and up to a week of normal use for maximum power.

NOTE: *After installation, the water may be cloudy or taste heavily of minerals and/or somewhat bitter for 2-3 weeks. This is normal as it takes some time for the filters to become conditioned to the source water. To help alleviate this condition, AquaLiv suggests a 5-minute flush when the off-taste is noticed or daily for the first week of use.*

The A305 Purification Module will require filter changes every 12 months or 1000 gallons – whichever comes first – or if the water begins to flow too slowly.

To order replacement filters visit shop.aqualiv.com and select **Filter Set FS300**.

The AquaLiv Water Revitalizer requires no maintenance. Attempts to open the tank may damage the head and sub-assembly. If the internal tamper seals are broken, the system warranty will be void.

pH TESTING – pH testing drops and paper strips do not work with structured water. Use a digital pH meter.

WARRANTY – Your Warranty begins with the purchase date on your receipt. Do not lose your receipt!

Your AquaLiv Water System is warrantied against material defects and errors in workmanship for a period of two (2) years. Faucets have a one (1) year warranty. The warranty does not cover damage to the system or any property damage, including flood and/or water damage. All plumbing systems should be inspected periodically after installation to ensure an absence of leaks that may result in damage to surrounding areas.

CHECK YOUR SYSTEM

Please inspect the shipping box to ensure that all system components are accounted for. If any components are missing or appear to have been damaged in transit, please contact us for assistance.

SYSTEM CONTENTS

SMALL PART IDENTIFICATION CHART AT END OF DOCUMENT

- (1x) Model # A305 Purification Module
- (1x) AquaLiv Water Revitalizer
- (1x) Filter Housing Wrench
- (3x) Filter Cartridges
- (2x) #10 Hex-Head Screws (to attach The Purification Module to cabinet wall)
- (2x) Threaded Elbow Tubing Adapters
- (1x) 3/8" Faucet Adapter Fitting
- (3x) 36" 3/8 OD Flexible Tubing Lengths
- (1x) 3/8" Cold Water Connection Tee
- (1x) 3/8" Plug
- (1x) Faucet (if ordered)
- (1x) Usage & Installation Instructions

INSTALLATION OVERVIEW

AquaLiv suggests a professional plumber install the AquaLiv Water System. However, anyone with handy-person skills and a few basic tools can accomplish the task. It is best to remove all under-sink contents prior to installation. If installing the faucet where a dishwasher air-gap/vent currently resides, simply tie up the air-gap at the highest point available in the under-sink cabinet. Ensure this level is at least a few inches above the drain connection point of the dishwasher. Remember to always run the disposal prior to operating the dishwasher to prevent overflows.

AquaLiv is not responsible for damage resulting from improper installation, re-routing of existing fixtures, or violations of local plumbing codes. Only perform the installation yourself if you feel comfortable with the job and take full responsibility for your work. If unsure, call a professional plumber for assistance.

TOOLS REQUIRED

- Power Drill/Screwdriver w/ 5/16" Hex-Socket
- Basin Wrench (aka Faucet Wrench, available at most hardware stores)
- Appropriate Drill or Hole-Cutter for sink/countertop material (if no hole currently exists for faucet)
- Utility Knife w/ New Blade & Cutting Board
- Purification Module Support Block (a thick book or piece of 2x4 lumber works well – see STEP #4)
- Adjustable wrenches and/or small Channellock-type pliers
- Plumber's Tape (aka PTFE Tape or Teflon Tape)

INSTALLATION PRO-TIP

Tubing is installed by pushing the tubing ends into the push-fit connections on the system components. Push in tubing until fully seated. You may need to wiggle the tubing while pushing. Approximately 5/8" of tubing will slide into a fitting when fully inserted.

To remove tubing from a fitting, pull out on tubing while simultaneously pushing in on the ring surrounding the tubing.

INSTALLATION

STEP #1: Install the Cold Water Connection Tee (do NOT use plumber's tape)

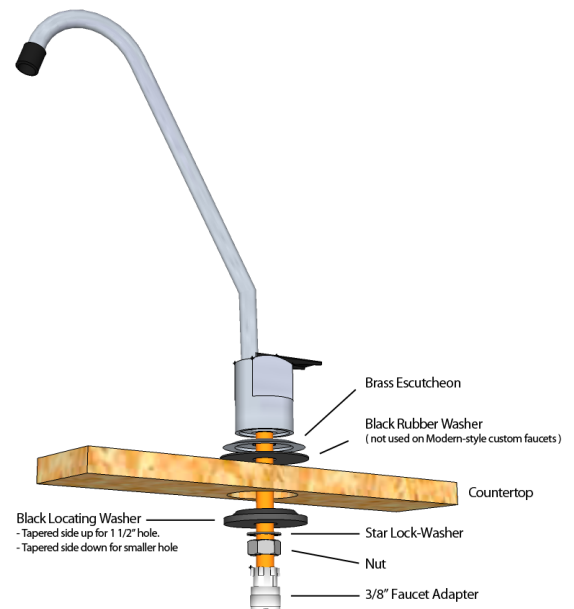
1. Close the cold water supply valve to the kitchen faucet. Open the cold side of the kitchen faucet to relieve pressure and then close again
2. Disconnect the cold water supply tube/hose/pipe connected to the cold water supply valve. Do not remove the tube/hose/pipe from the kitchen faucet
3. Screw the Cold Water Connection Tee onto the cold water supply valve until you feel resistance, then turn an additional 180°-360°. Connection should be tight, but over-tightening can break the tee
4. Connect the tube/hose/pipe from the kitchen faucet to the Cold Water Connection Tee. Do not over tighten

In the event that the Cold Water Connection Tee does not fit your water connection, please visit shop.aqualiv.com/components for alternative installation components.

STEP #2: Install faucet

NOTE: Not all parts contained in the faucet box will be used during installation. Please refer to the diagram below.

1. Gather the parts indicated in the diagram above and discard the unused parts.
2. If drilling a hole, locate and mark the desired location and drill a 1/2" hole. If using an existing hole, remove hole plug.
3. Assemble the Brass Escutcheon and Black Rubber Washer onto the faucet stem as shown and place in hole.
4. On the underside of the countertop, slide Black Locating Washer and Star Lock Washer up onto stem.
5. Screw Nut onto stem by hand and spin it up the stem until the faucet is held firmly in place.
6. Arrange the spout and handle to their optimal positions on the faucet base.
7. Use a 9/32" wrench or Basin Wrench to tighten the Nut until the faucet is secure on the countertop.
8. Install the Faucet Adapter onto the bottom of the stem. Do not use plumber's tape or other sealants.
9. Insert one length of the 36" 3/8" OD white tubing into the Faucet Adapter ensuring that 5/8" of tubing slides into the adapter.



STEP #3: Attach "Threaded Elbow Tubing Adapters" to Purification Module

1. Screw in the "Threaded Elbow Tubing Adapters" into the Purification Module inlet and outlet ports. Properly installed Adapters should be screwed in until the o-ring is fully seated onto the module. Be careful not to cross-thread the Adapters while screwing them in. If your installation requires the Adapters to be pointed in any position other than where the o-ring is fully seated, use plumber's tape on the threads. (avg. 14 wraps)

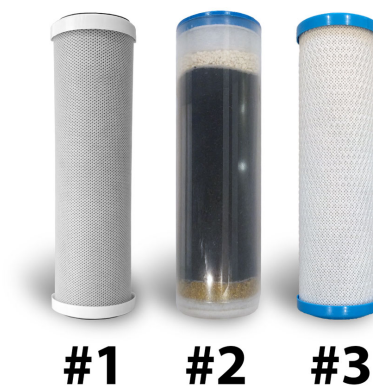
STEP #4: Situate and Arrange AquaLiv Water System Modules in Under-Sink Cabinet

1. Situate system Modules in under-sink cabinet.

2. The Purification Module is wall mounted and often best installed just a few inches back from the cabinet opening. This will allow for easy filter changes in the future.
3. The Modules will be connected with the included flexible tubing. The Purification Module IN will be connected to the cold water supply line. The Purification Module OUT will be connected to the Revitalizer IN. The Revitalizer OUT will be connected to the AquaLiv faucet. Ensure the preferred position of the Modules is possible within the length of the 36" flexible tubing units.

NOTE: Module locations must allow for gradual bends in the flexible tubing – no sharp bends or 90-degree angles.

4. If everything looks like it will fit together without problems, please continue to Step #5. If not, re-arrange Modules.



STEP #5: Attach Purification Module to Cabinet Wall, Install Filter Cartridges

1. Set the Purification Module on a thick book or section of 2x4 lumber (anything at least 1.5 inches high) to raise it while attaching the bracket to cabinet wall.

IMPORTANT: The Purification Module must have at least 1.5 inches of free space below to allow for filter cartridge installation and annual filter cartridge replacement.

2. Using a power screwdriver and hex-socket, attach the Purification Module to the cabinet wall using the included Hex-Head screws. Use a low torque setting to prevent the screws from stripping out the holes.
3. Use the Filter Housing Wrench to loosen the three Filter Housings on the Purification Module. NOTE: The housings unthread counter-clockwise when seen from the bottom. Facing head-on, the housings should be turned to the left. Once loosened, the housings should be unscrewed by hand.
4. Refer to the filter identification image above. Unscrew the #1 Filter Housing from the Purification Module. Unwrap the #1 Filter Cartridge and place into the #1 housing. Ensure the filter cartridge sits over the alignment pipe at the bottom of the housing and that both top & bottom gaskets are in place.
5. Gently thread the housing back onto the Purification Module, making sure it screws on evenly. Tighten by hand.
6. Repeat the previous two steps for the #2 and #3 Housings/Filters.

IMPORTANT: *"THIS END UP" on the #2 filter cartridge must be at the OPEN END of the housing.*

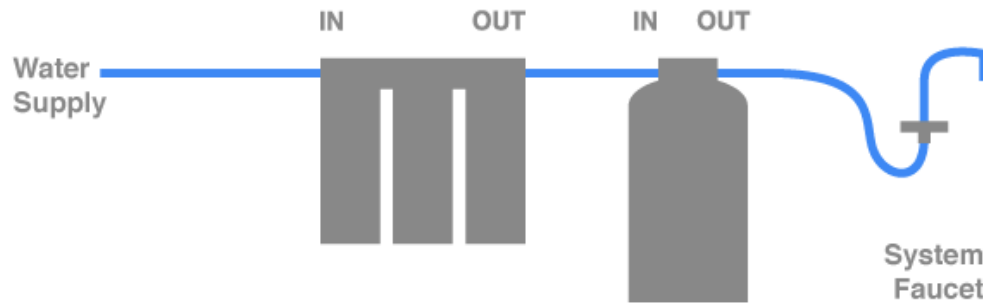
7. Once the housings have been hand-installed, use the Filter Housing Wrench to tighten them approximately 1/8 turn more. This will seat the o-rings properly.

STEP #6: Installing the Flexible Tubing

IMPORTANT NOTE

Only shorten tubing if your installation requires it. Cut tubing using a utility knife and cutting board. Cuts must be perpendicular to tubing-length and be burr-free. Messy cuts can damage fitting o-rings and result in leaks.

1. Connect the system components according to the diagram below:



2. Flexible tubing is installed by pushing the tubing ends into the push-fit connections on the system components. Push in until fully seated. Approximately 5/8" of tubing will slide into the fitting.

IMPORTANT NOTE

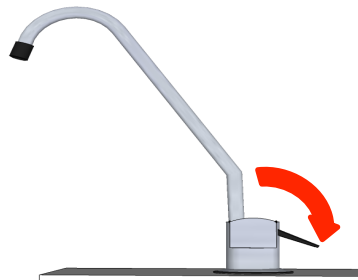
Tubing that is not fully seated will result in leaks.

STEP #7: Filling and Flushing AquaLiv Water System

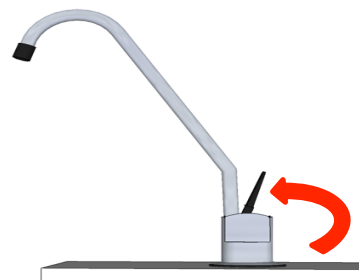
1. Open the system faucet fully and then slowly open the cold water supply valve.

IMPORTANT: Watch for leaks and be ready to shut off the cold water supply.

NOTE: The basic faucet has a 'constant flow' feature that makes this step simple.



Handle down = momentary



Handle up = constant flow

2. The system will fill for several minutes. During this time, air will be emitted from the faucet.
3. Once water comes out of the faucet, allow it to flow for TWENTY (20) minutes. During this time, dry off all tubing and fittings with a dry cloth or paper towels. After twenty minutes, shut off the faucet. Wait five minutes more and then feel all connections for water drops or dampness. Dampness in these areas may indicate a loose or faulty connection.
4. If an Elbow Adapter leaks, ensure the o-ring is seated tightly against the Purification Module. If it continues to leak, use plumber's tape on the Elbow threads to seal it. (avg. 14 turns)

STEP #8: Continue to inspect for leaks over the next few days to weeks

Leaks can develop with time. Be sure to inspect the system and entire under-sink area with a flashlight. AquaLiv is not responsible for leaks or flood damage of any kind. Be vigilant.

CONGRATULATIONS

The AquaLiv Water System is now installed!

IN AN EMERGENCY

Should the water supply to the AquaLiv Water System need to be shut off while cold water is wanted at the kitchen faucet:

1. Close the cold water supply valve
2. Open the AquaLiv faucet to relieve pressure, then close
3. Remove the tube supplying the AquaLiv Water System from the Cold Water Connection Tee
4. Insert the included Plug into the Tee

IMPORTANT NOTE – PLEASE READ

After installation, the water may be cloudy or taste heavily of mineral for 2-3 weeks. This is normal as it takes some time for the filters to become conditioned to the source water. To help alleviate this condition, AquaLiv suggests flushing when an off-taste is noticed or daily for the first week of use.

3/8" Plug



3/8" Faucet Adapter



3/8" Cold Water Connection Tee



Threaded Elbow Tubing Adapters