





## Features

### Printer Support

- Direct inkjet printer connections support the maximum printhead printing speeds
- Photographic quality printing
- PC-connected, wireless and network printing supported

### Scanner Support

- Flatbed and sheetfed scanners supported, including timing and motor control
- Integrated contact image sensor analog front end (CIS AFE) enables direct input of analog scanner signals
- Scan pre-processing supports gamma, shading, white-level and black-level corrections
- Network scanning, scan-to-flash drives and scan-to-camera cards supported

### Copier Support

- Standalone color copying with zooming and enlargements

### External Memory Support

- SDRAM memory supported
- Serial flash/ROM supported

### Connectivity/Interfaces

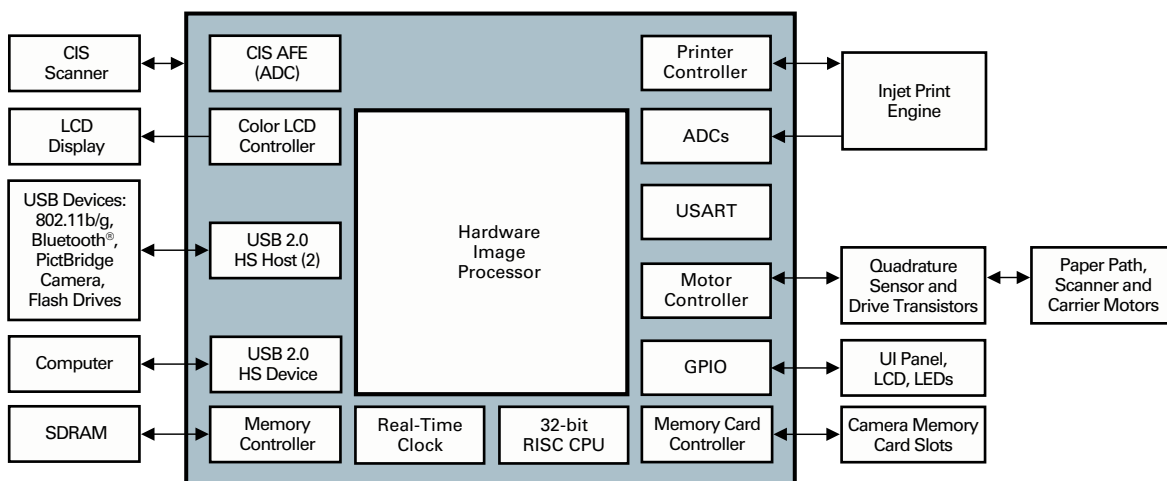
- USB 2.0 high-speed device port and multiple USB high-speed 2.0 host ports
  - Supports PictBridge cameras and flash drives
  - Supports Wi-Fi 802.11b/g, Bluetooth and 10/100 Ethernet
- Camera card interface controllers support the major media card formats
- UARTs/USARTs
- Thin Film Transistor (TFT) graphical LCD controller
- TV output interface connects directly to NTSC/PAL display controllers

### Processor/CPU

- High-performance 32-bit RISC Microprocessor

### Development Environment

- Conexant's SigmaTel Integrated Development Environment (IDE) for AIOs
- C / C++ Compiler/Assembler/Linker
- PC Command Line Debugger/Profiler
- JTAG Emulator/ICE and Debugger



DC1100 Block Diagram

## Conexant Product Portfolio

Conexant's comprehensive product portfolio includes solutions for imaging, audio, and video applications, and analog modems that enable cost-effective Internet access. The company's broadband access products include end-to-end solutions for xDSL networks, and PON solutions for fiber optic applications.

© 2008 Conexant Systems, Inc. All Rights Reserved. Conexant and the Conexant logo are registered trademarks of Conexant Systems, Inc. All other trademarks are owned by their respective owners. Although Conexant strives for accuracy in all its publications, this material may contain errors or omissions and is subject to change without notice. **THIS MATERIAL IS PROVIDED AS IS AND WITHOUT ANY EXPRESS OR IMPLIED WARRANTIES, INCLUDING MERCHANTABILITY, FITNESS FOR A PARTICULAR PURPOSE AND NON-INFRINGEMENT.** Conexant shall not be liable for any special, indirect, incidental or consequential damages as a result of its use.

**www.conexant.com**  
**General Information:**  
 U.S. and Canada: (888) 855-4562  
 International: 1+ (949) 483-3000  
 Headquarters  
 4000 MacArthur Blvd.  
 Newport Beach, CA 92660  
 Doc# PBR-201768

