

Power PLASTIC PIPE BEVELER

**Model 9000**

*Capacity: 4" and up (100mm)
HD 8 amp 25,000 rpm motor, 115V*

Model 9230

*Capacity: 4" and up (100mm)
HD 6 amp 230V, 60Hz motor*

Model 9050

*Capacity: 4" and up (100mm)
Pneumatic 1-1/2 hp, 20,000 rpm*

This line of power bevelers are designed for a wide variety of situations including high production applications. Our advanced HSS cutter design makes a smooth 15° bevel, which is adjustable for length and depth.

This line of power bevelers is easy to use and drastically reduces beveling time—especially on large pipe sizes or when doing production beveling. A 15° Solid Carbide Cutter Bit is available as an optional accessory.

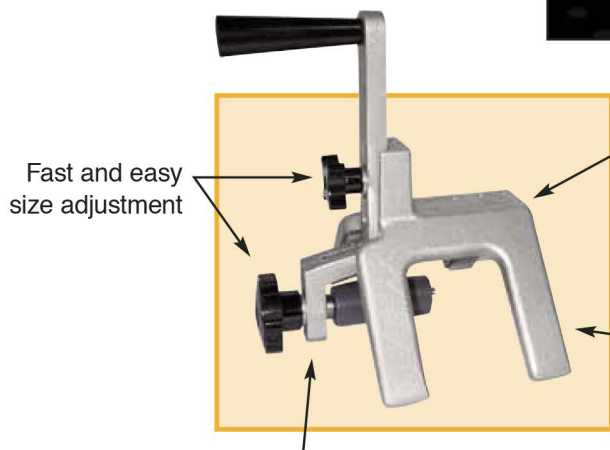


HAND OPERATED PLASTIC PIPE BEVELER

Model 9015

Capacity: 1-1/2" through 12" (38-300mm) Diameter

The Universal Plastic Pipe Beveler makes a 15° bevel on SDR35 and SCH 40 thermoplastic pipe 1-1/2" through 12" capacity. It is lightweight and easily adjusts to different wall thicknesses for beveling and deburring.



Unlike other manufacturers' bevelers, the Wheeler-Rex Model 9015 has a wide saddle, which won't twist or dig into the pipe.

Lightweight aluminum body and blade bar

Tool steel blade—easily replaceable

