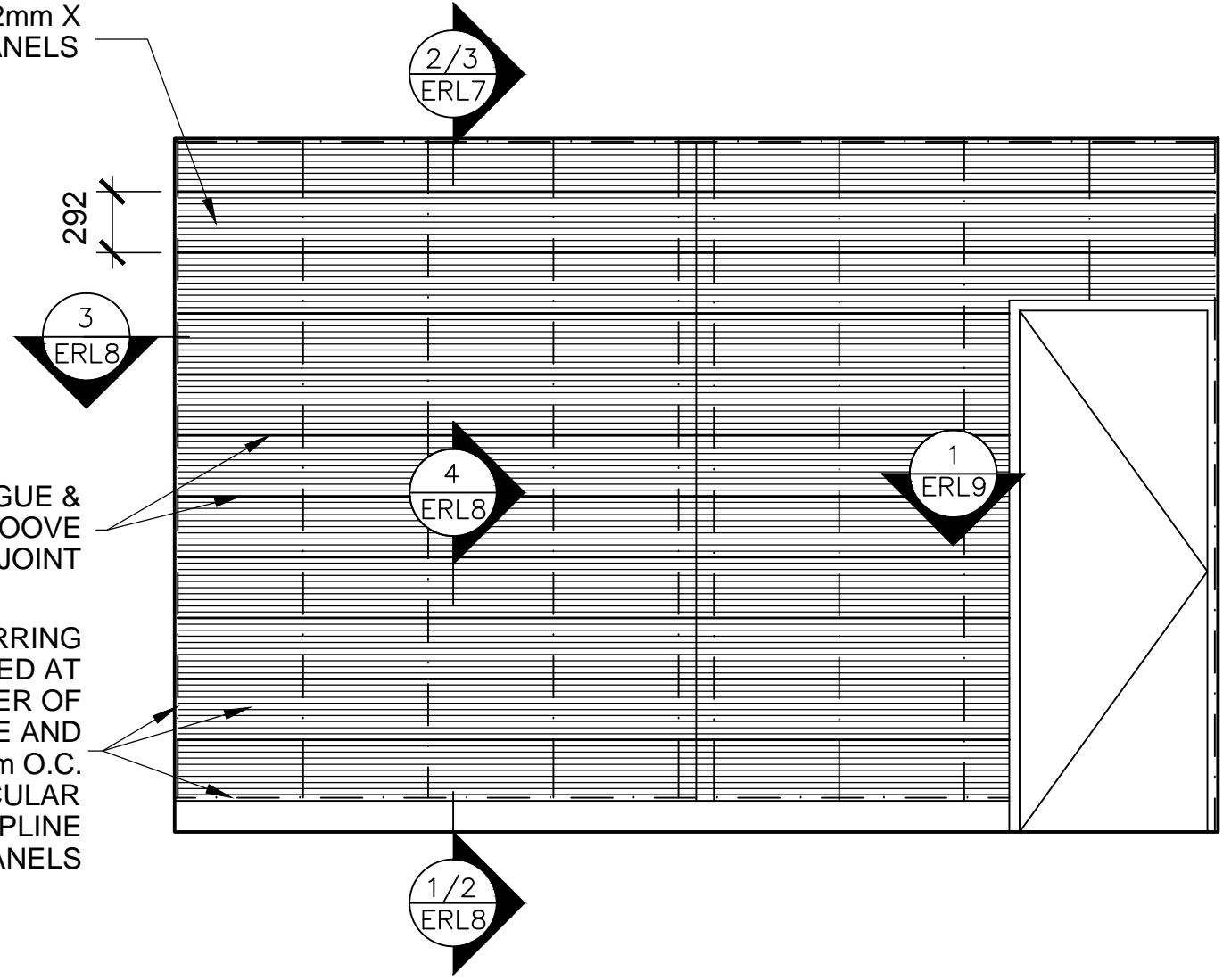


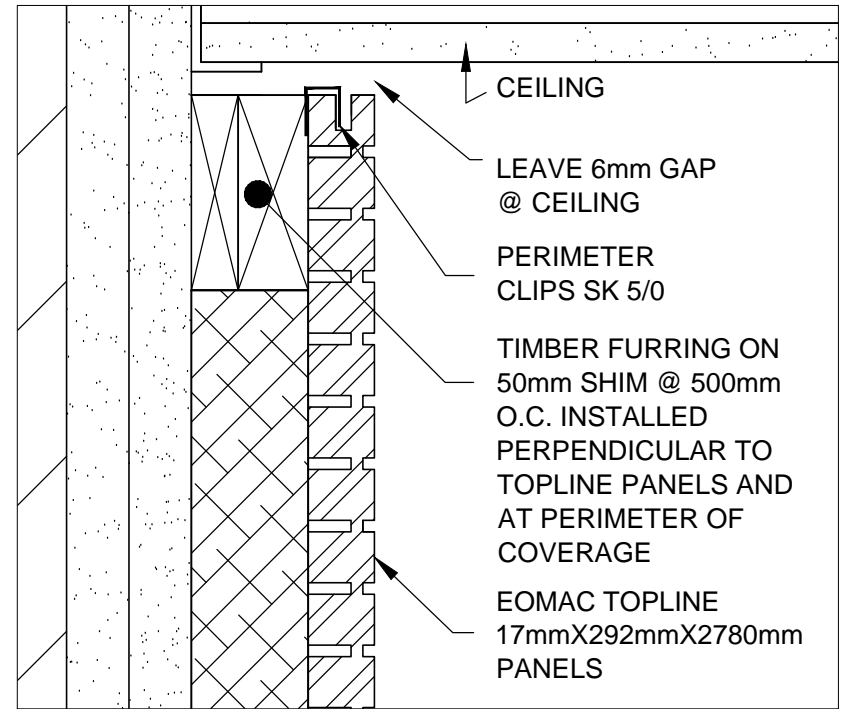
EOMAC NOTES

EOMAC TOPLINE  
17mm X 292mm X  
2780mm PANELS

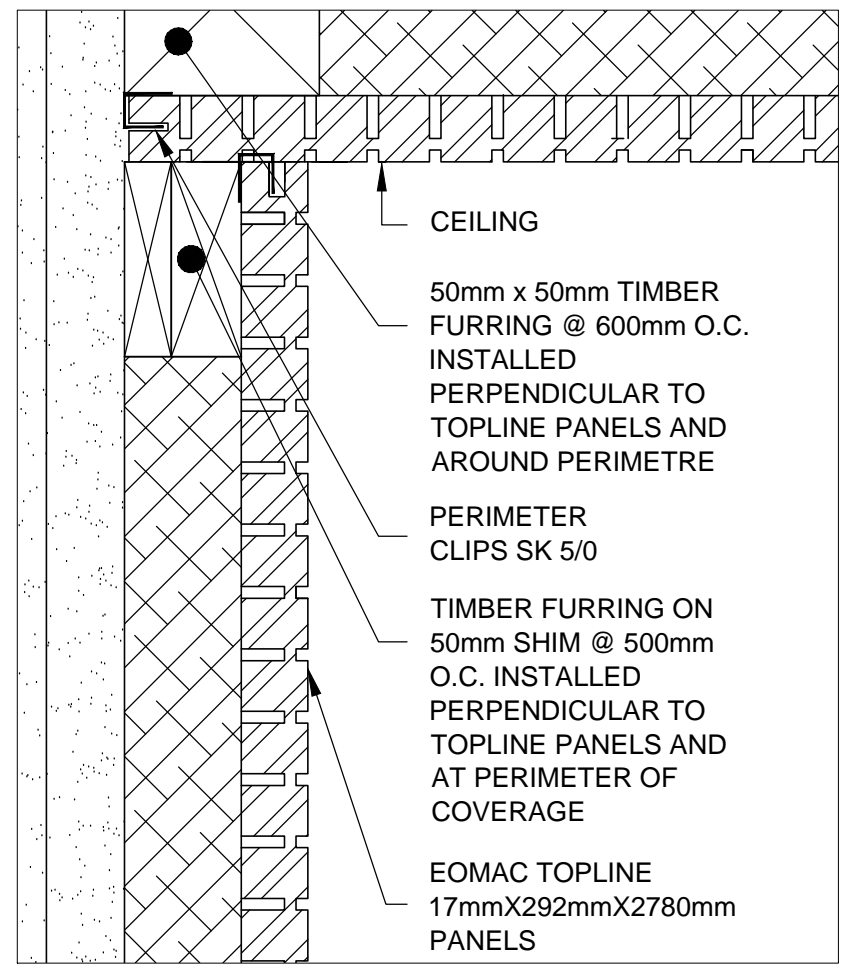


1  
ERL-7  
TYPICAL ELEVATION  
SCALE : N.T.S.

2  
ERL-7  
DETAIL AT CEILING  
SCALE : N.T.S.



3  
ERL-7  
DETAIL AT CEILING  
SCALE : N.T.S.



ISSUE FOR  
INFORMATION/  
APPROVAL

NOTES

REV. DATE



© COPYRIGHT EOMAC LTD / EOMAC UK LIMITED  
ALL RIGHTS RESERVED. NO PART OF DOCUMENT WHETHER  
PRINT FORM OF SUPPLIED AS DIGITAL DATA MAYBE  
REPRODUCED IN ANY MEANS WITHOUT PRIOR PERMISSION OF  
EOMAC LTD.

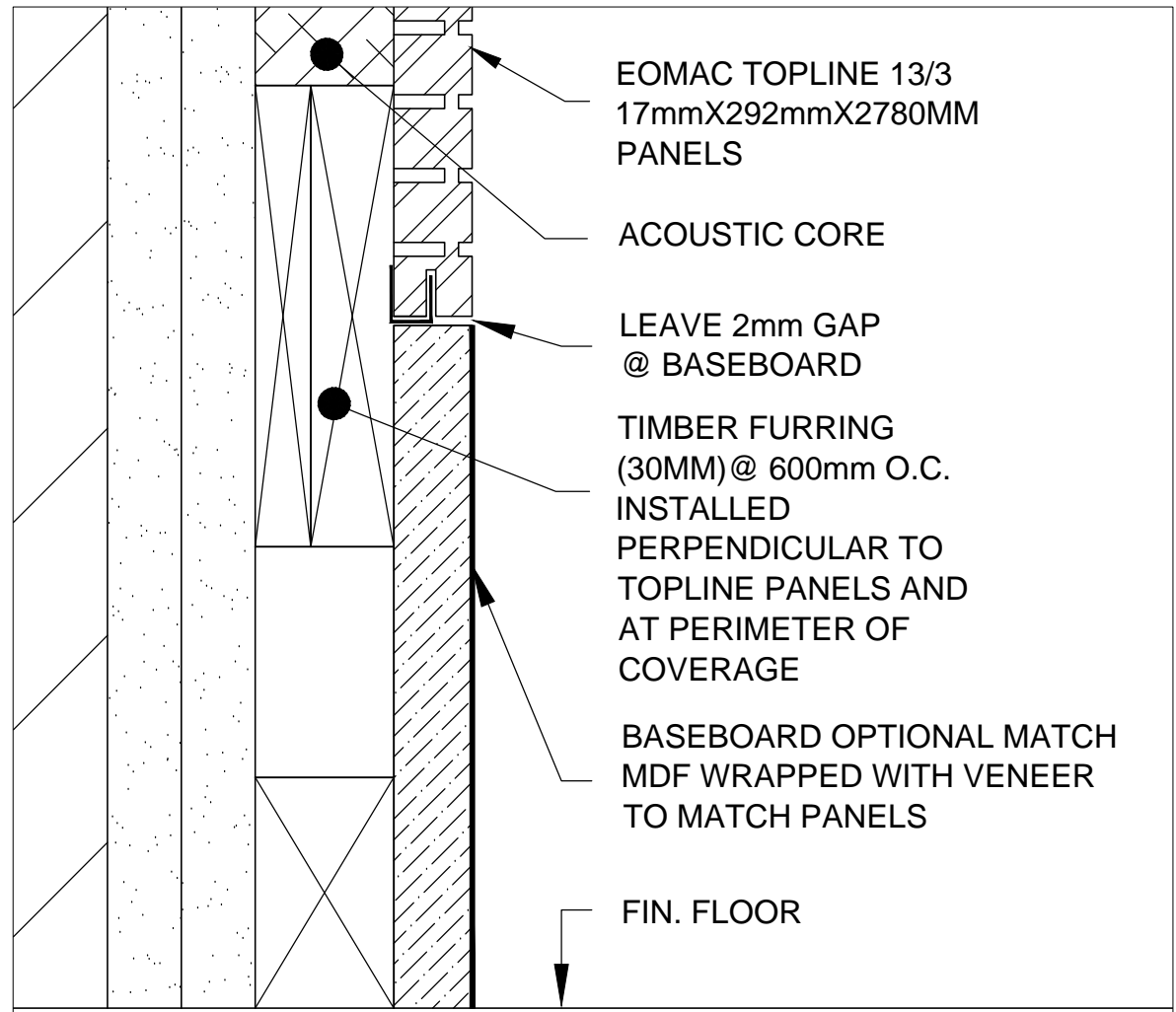
PROJECT  
**TYPICAL EOMAC  
DETAIL OF TOPLINE  
ACOUSTIC PANELS**

DRAWING TITLE  
ELEVATION & DETAILS

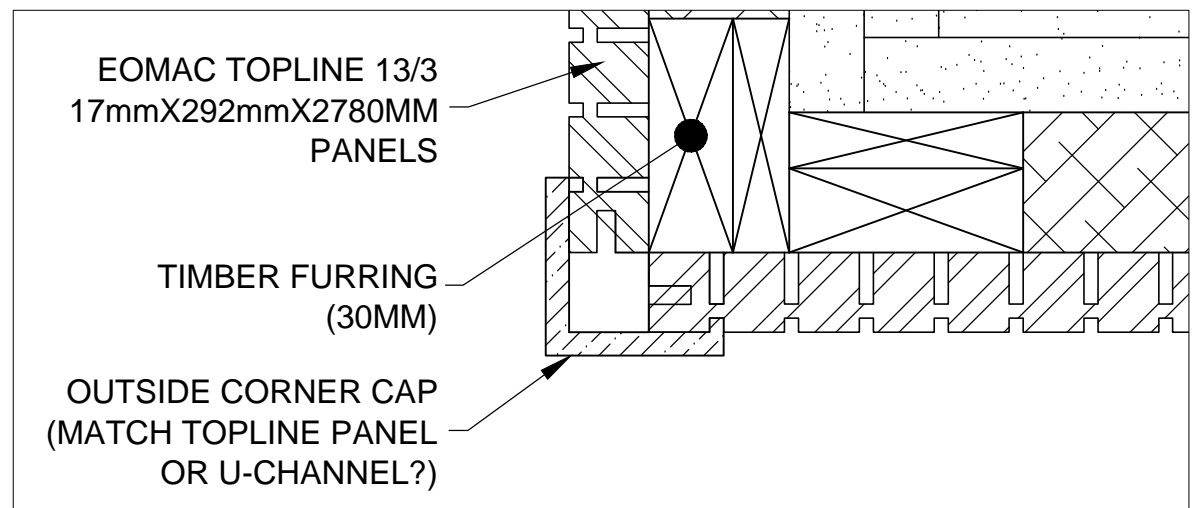
SCALE AS SHOWN DATE 07/ 03/ 11

DRAWN BY S.C. CHECKED BY K.B. DRAWING NO. **ERL-7**

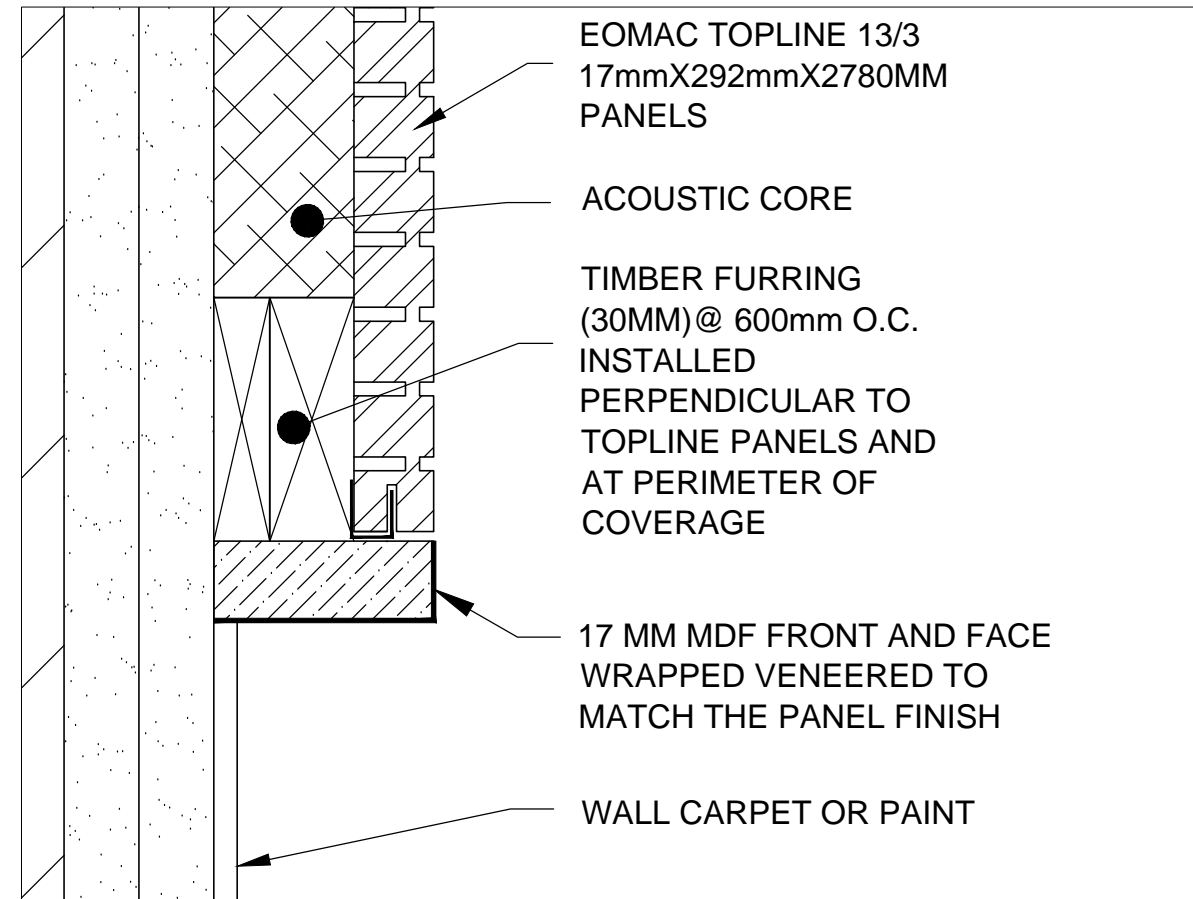
**EOMAC NOTES**



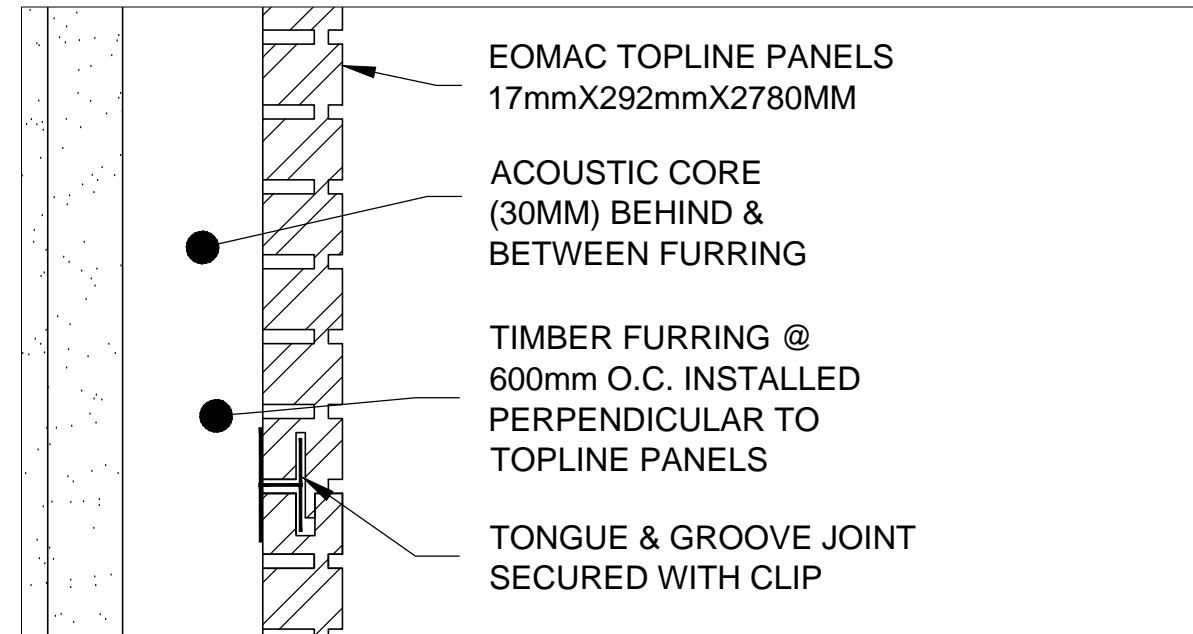
**1** DETAIL @ BASEBOARD / CARPET  
ERL-8 SCALE : N.T.S.



**3** DETAIL @ OUTSIDE CORNER  
ERL-8 SCALE : N.T.S.



**2** DETAIL @ BOTTOM OF PANELS  
ERL-8 SCALE : N.T.S.



**4** DETAIL @ GAP / REVEAL  
ERL-8 SCALE : N.T.S.

ISSUE FOR INFORMATION/ APPROVAL

NOTES

REV.	DATE

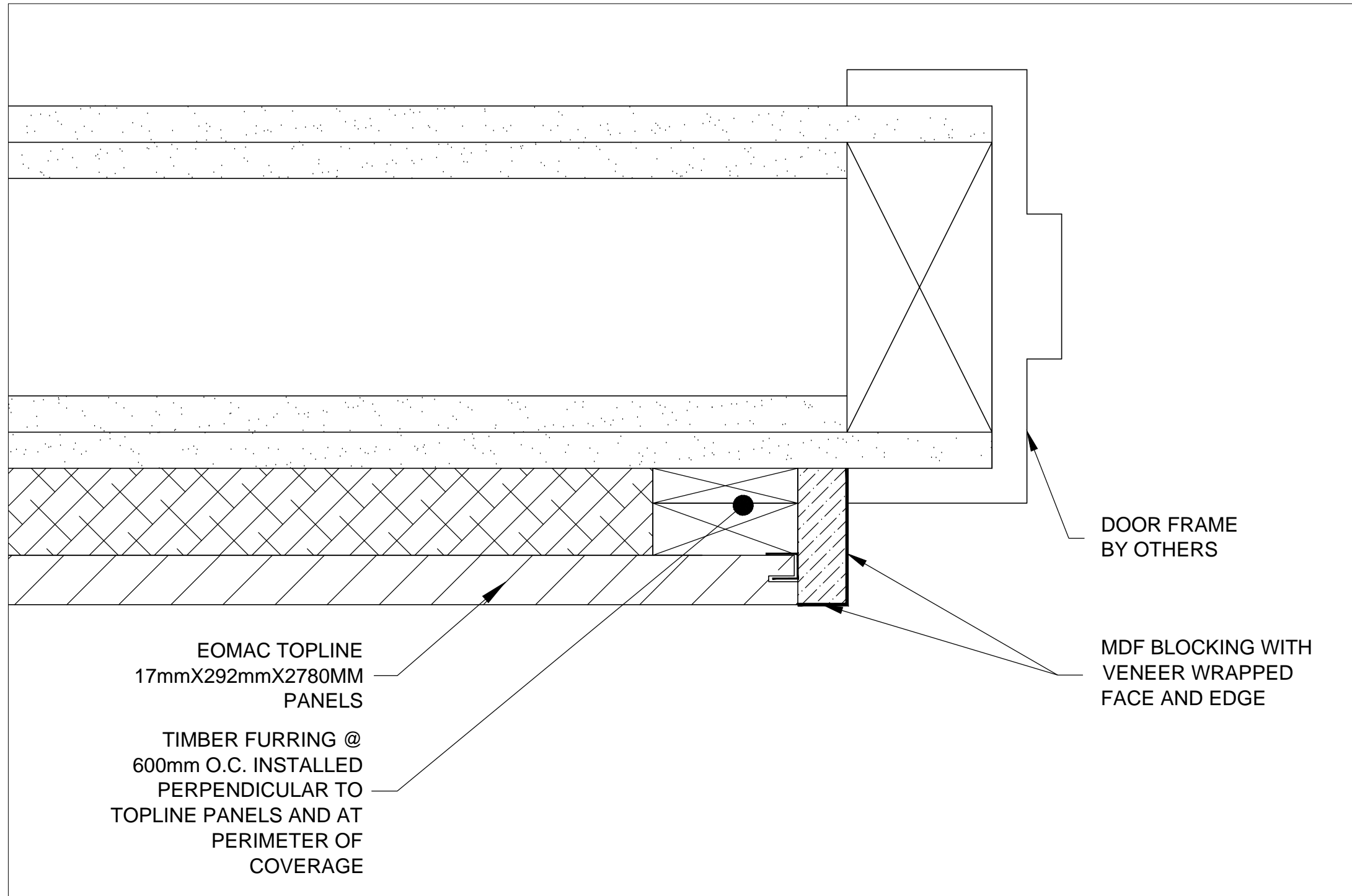


© COPYRIGHT EOMAC LTD / EOMAC UK LIMITED  
ALL RIGHTS RESERVED. NO PART OF DOCUMENT WHETHER PRINT FORM OF SUPPLIED AS DIGITAL DATA MAYBE REPRODUCED IN ANY MEANS WITHOUT PRIOR PERMISSION OF EOMAC LTD.

PROJECT  
**TYPICAL EOMAC  
DETAIL OF TOPLINE  
ACOUSTIC PANELS**

DRAWING TITLE <b>DETAILS</b>	
SCALE AS SHOWN	DATE 07/ 03/ 11
DRAWN BY S.C.	DRAWING NO. <b>ERL-8</b>
CHECKED BY K.B.	

EOMAC NOTES



ISSUE FOR INFORMATION/ APPROVAL

NOTES

REV.	DATE

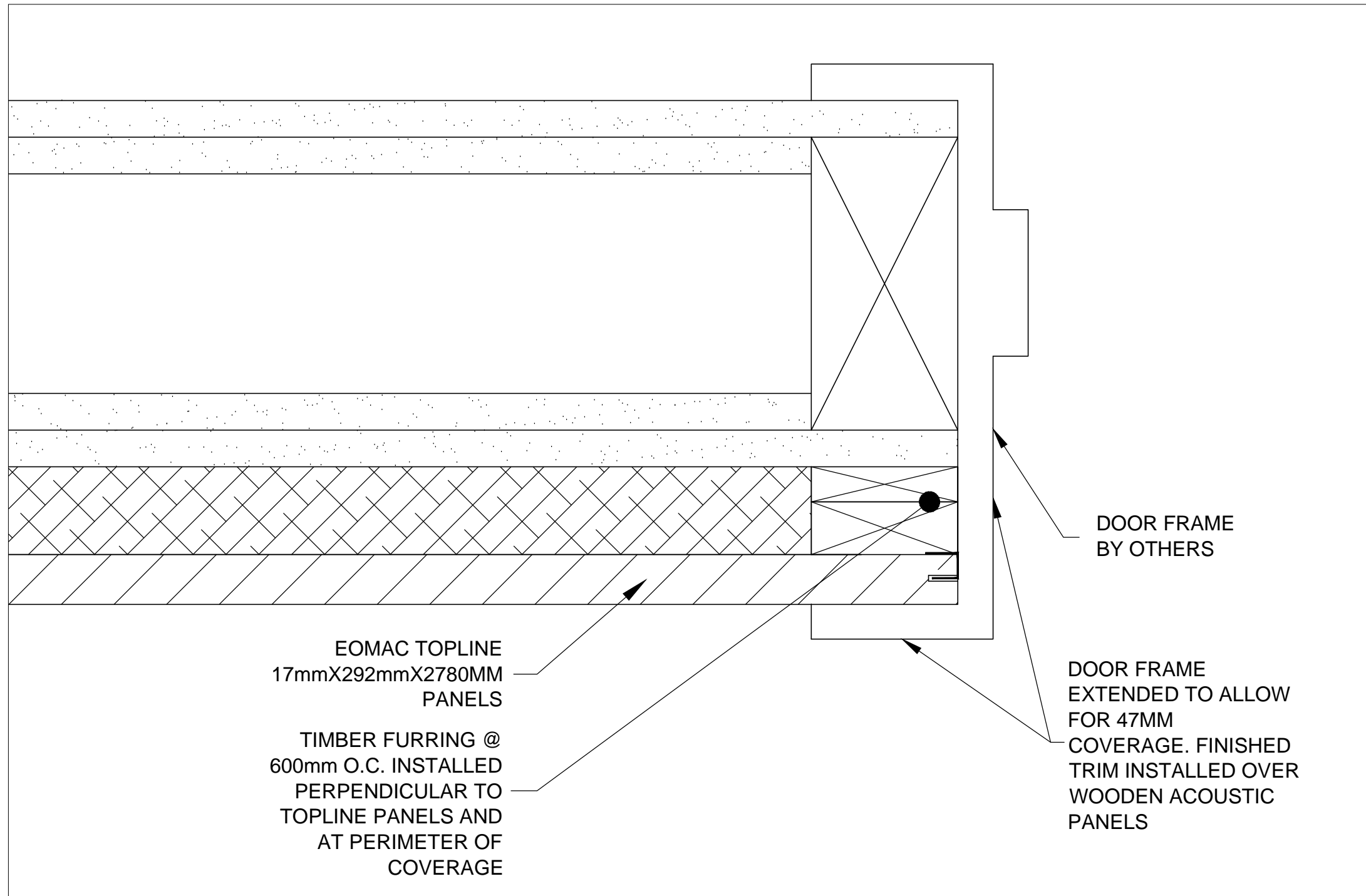


© COPYRIGHT EOMAC LTD / EOMAC UK LIMITED  
ALL RIGHTS RESERVED. NO PART OF DOCUMENT WHETHER PRINT FORM OF SUPPLIED AS DIGITAL DATA MAYBE REPRODUCED IN ANY MEANS WITHOUT PRIOR PERMISSION OF EOMAC LTD.

PROJECT  
**TYPICAL EOMAC  
DETAIL OF TOPLINE  
ACOUSTIC PANELS**

DRAWING TITLE <b>DETAILS</b>	
SCALE AS SHOWN	DATE 07/ 03/ 11
DRAWN BY S.C.	DRAWING NO. <b>ERL-9</b>
CHECKED BY K.B.	

**1** DETAIL @ DOOR FRAME(ALTERNATE : 1 )  
ERL-9 SCALE : N.T.S.



ISSUE FOR INFORMATION/ APPROVAL

NOTES

REV.	DATE



© COPYRIGHT EOMAC LTD / EOMAC UK LIMITED  
ALL RIGHTS RESERVED. NO PART OF DOCUMENT WHETHER PRINT FORM OF SUPPLIED AS DIGITAL DATA MAYBE REPRODUCED IN ANY MEANS WITHOUT PRIOR PERMISSION OF EOMAC LTD.

PROJECT  
**TYPICAL EOMAC  
DETAIL OF TOPLINE  
ACOUSTIC PANELS**

DRAWING TITLE <b>DETAILS</b>	
SCALE AS SHOWN	DATE 07/ 03/ 11
DRAWN BY S.C.	DRAWING NO. <b>ERL-10</b>
CHECKED BY K.B.	

**1** DETAIL @ DOOR FRAME(ALTERNATE : 2 )  
ERL-10 SCALE : N.T.S.

