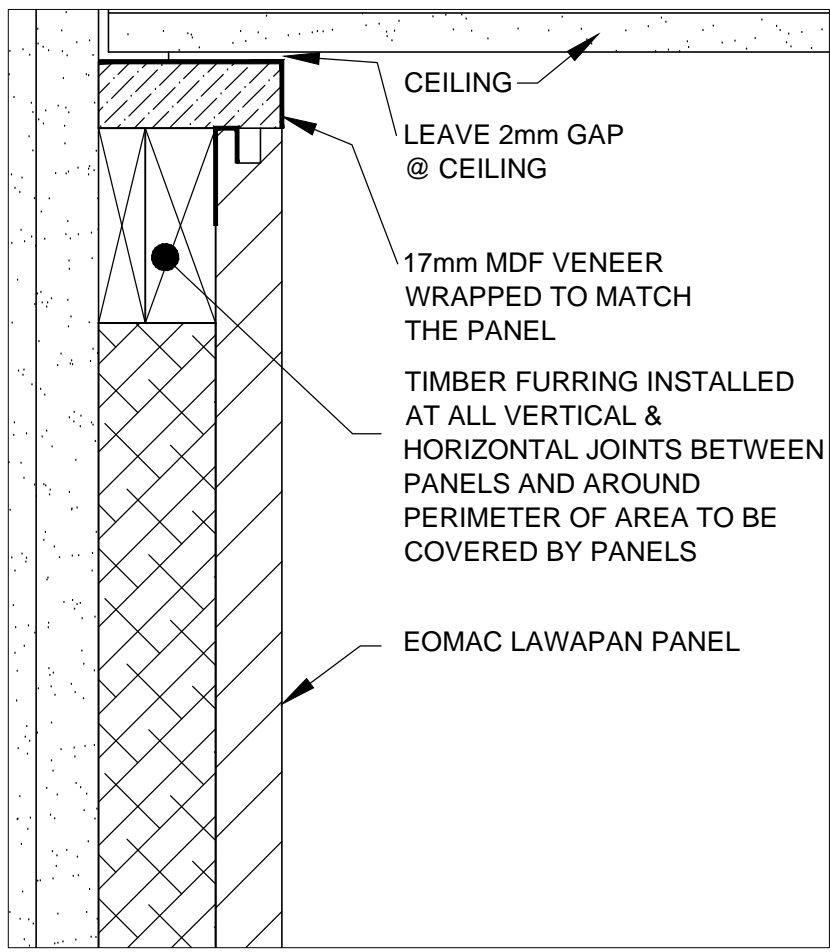
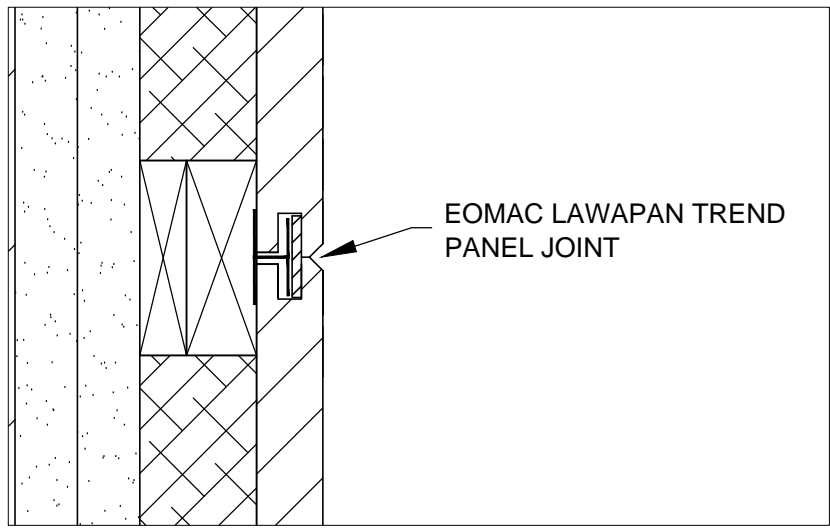


**1** TYPICAL ELEVATION  
ERL-3 SCALE : N.T.S.



**2** DETAIL AT CEILING  
ERL-3 SCALE : N.T.S.



**3** DETAIL AT GAP / REVEAL  
ERL-3 SCALE : N.T.S.

**EOMAC NOTES**

ISSUE FOR INFORMATION/ APPROVAL

NOTES

REV. DATE



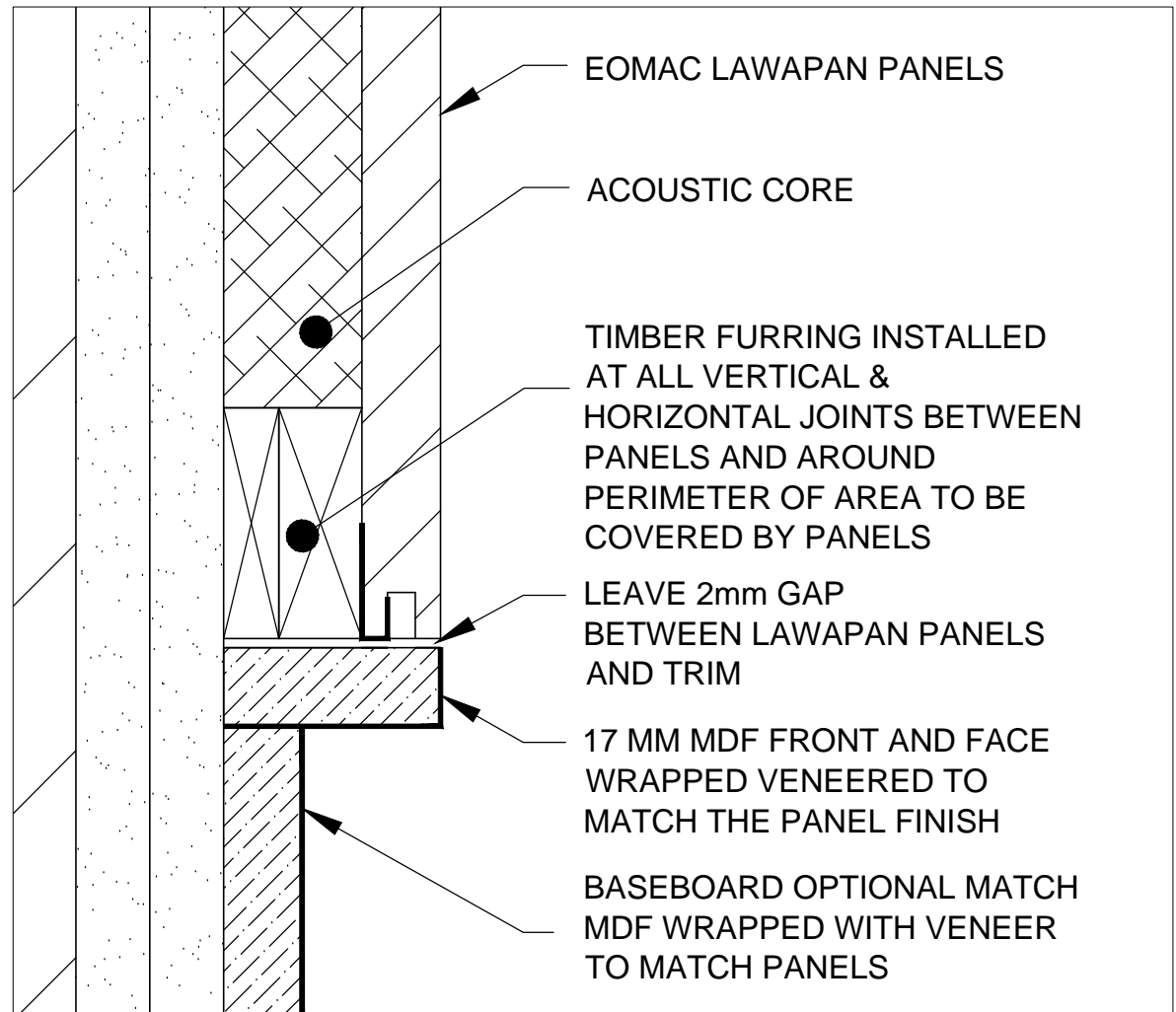
© COPYRIGHT EOMAC LTD / EOMAC UK LIMITED  
ALL RIGHTS RESERVED. NO PART OF DOCUMENT WHETHER PRINT FORM OF SUPPLIED AS DIGITAL DATA MAYBE REPRODUCED IN ANY MEANS WITHOUT PRIOR PERMISSION OF EOMAC LTD.

PROJECT  
**TYPICAL EOMAC  
DETAIL OF LAWAPAN  
ACOUSTIC PANELS**

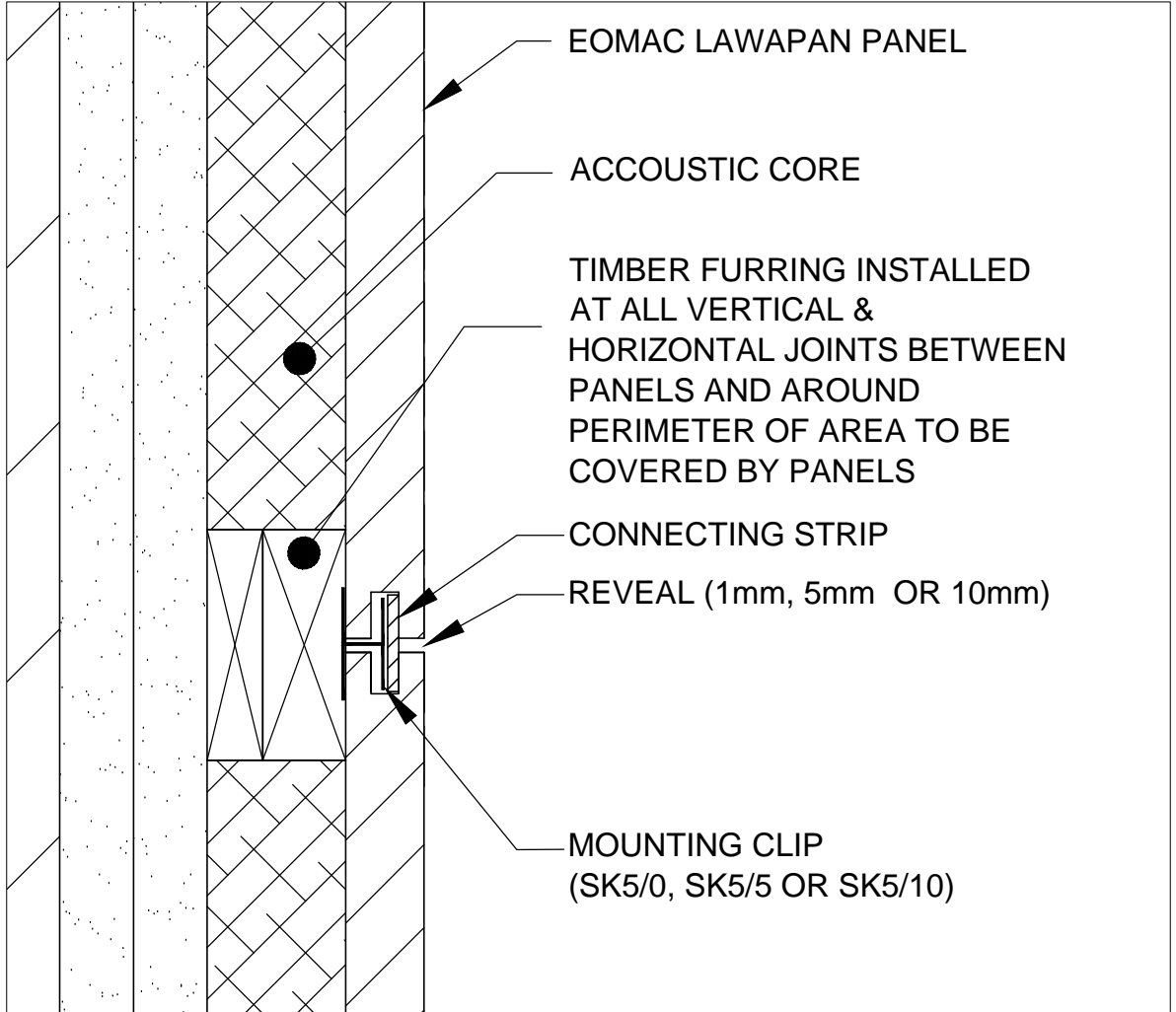
DRAWING TITLE  
ELEVATION & DETAILS

SCALE AS SHOWN DATE 07/ 03/ 11

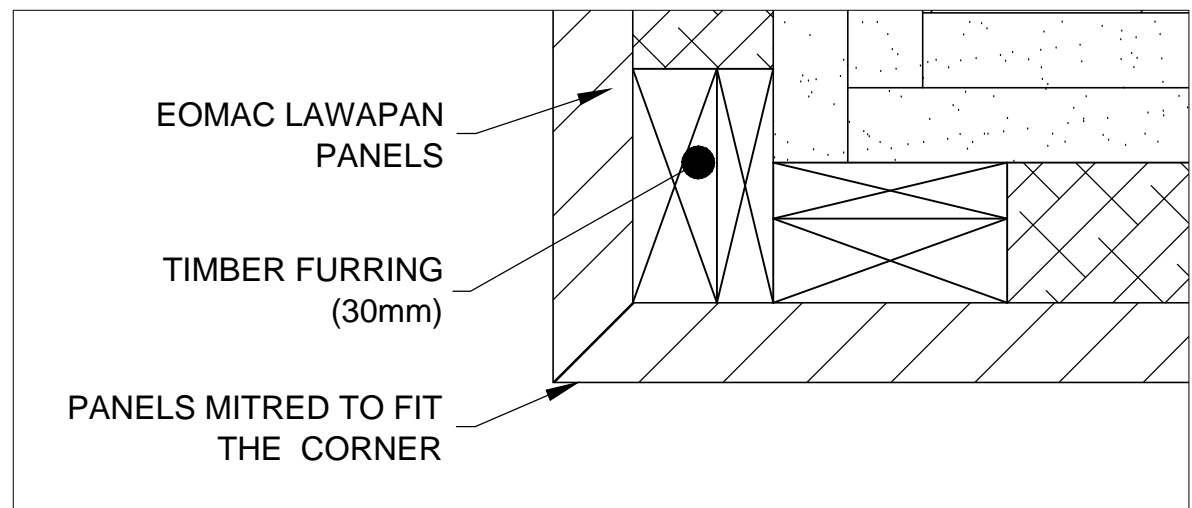
DRAWN BY S.C. CHECKED BY K.B. DRAWING NO. **ERL-3**



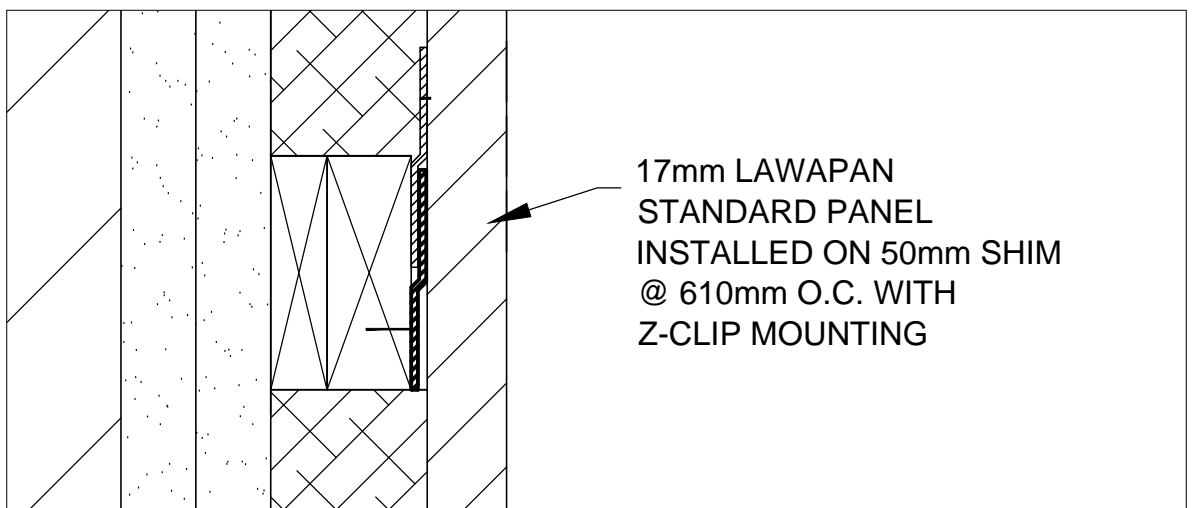
1  
ERL-4  
DETAIL @ BASEBOARD / CARPET  
SCALE : N.T.S.



2  
ERL-4  
DETAIL @ REVEAL JOINT  
SCALE : N.T.S.



3  
ERL-4  
DETAIL @ OUTSIDE CORNER  
SCALE : N.T.S.



4  
ERL-4  
DETAIL @ Z-CLIP  
SCALE : N.T.S.

ISSUE FOR INFORMATION/ APPROVAL

NOTES

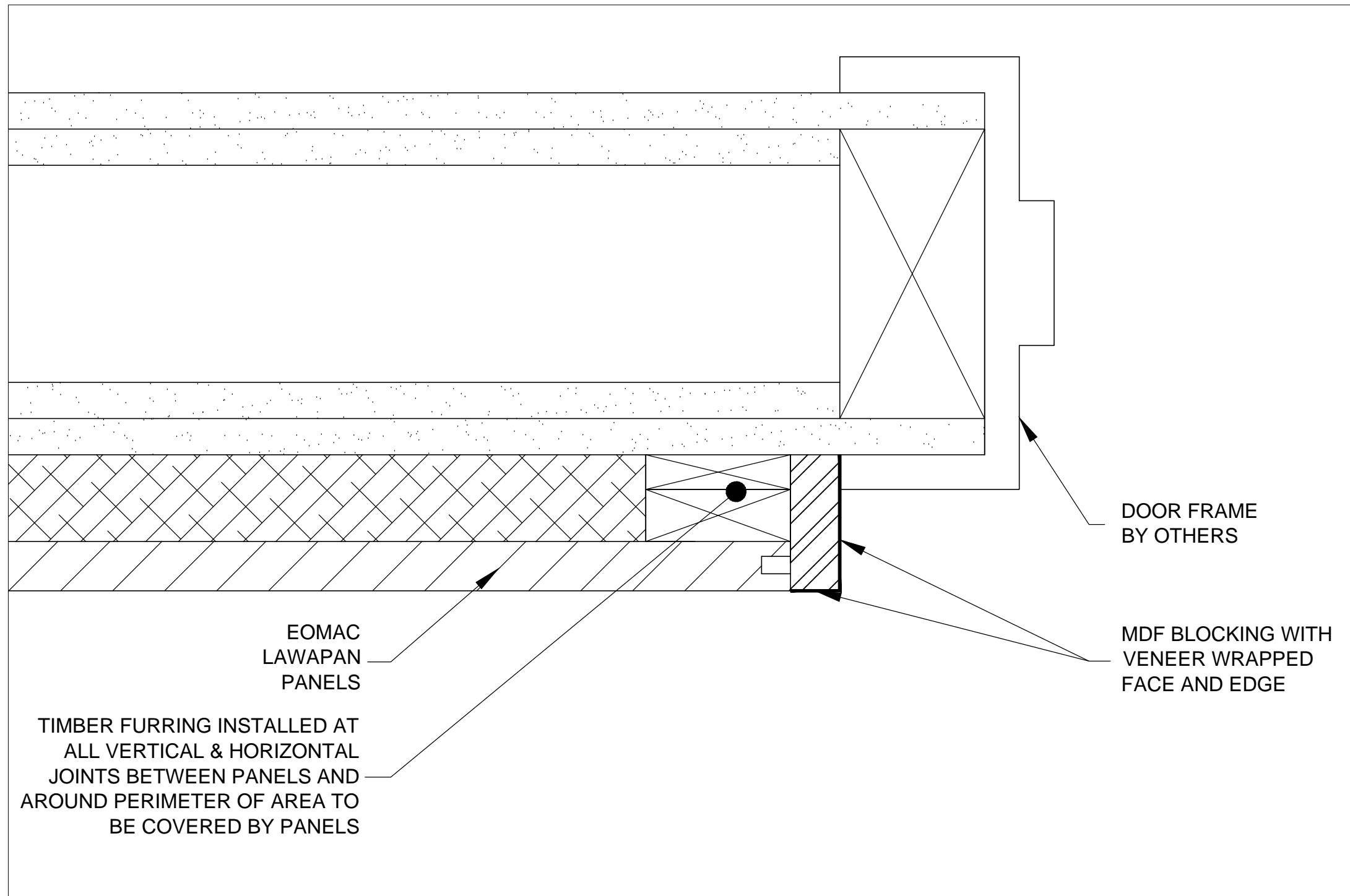
REV.	DATE



© COPYRIGHT EOMAC LTD / EOMAC UK LIMITED  
ALL RIGHTS RESERVED. NO PART OF DOCUMENT WHETHER PRINT FORM OF SUPPLIED AS DIGITAL DATA MAYBE REPRODUCED IN ANY MEANS WITHOUT PRIOR PERMISSION OF EOMAC LTD.

PROJECT  
**TYPICAL EOMAC  
DETAIL OF LAWAPAN  
ACOUSTIC PANELS**

DRAWING TITLE DETAILS	
SCALE AS SHOWN	DATE 07/ 03/ 11
DRAWN BY S.C.	DRAWING NO. <b>ERL-4</b>
CHECKED BY K.B.	



1  
ERL-5

DETAIL @ DOOR FRAME(ALTERNATE : 1 )  
SCALE : N.T.S.

EOMAC NOTES

ISSUE FOR INFORMATION/ APPROVAL

NOTES

--	--

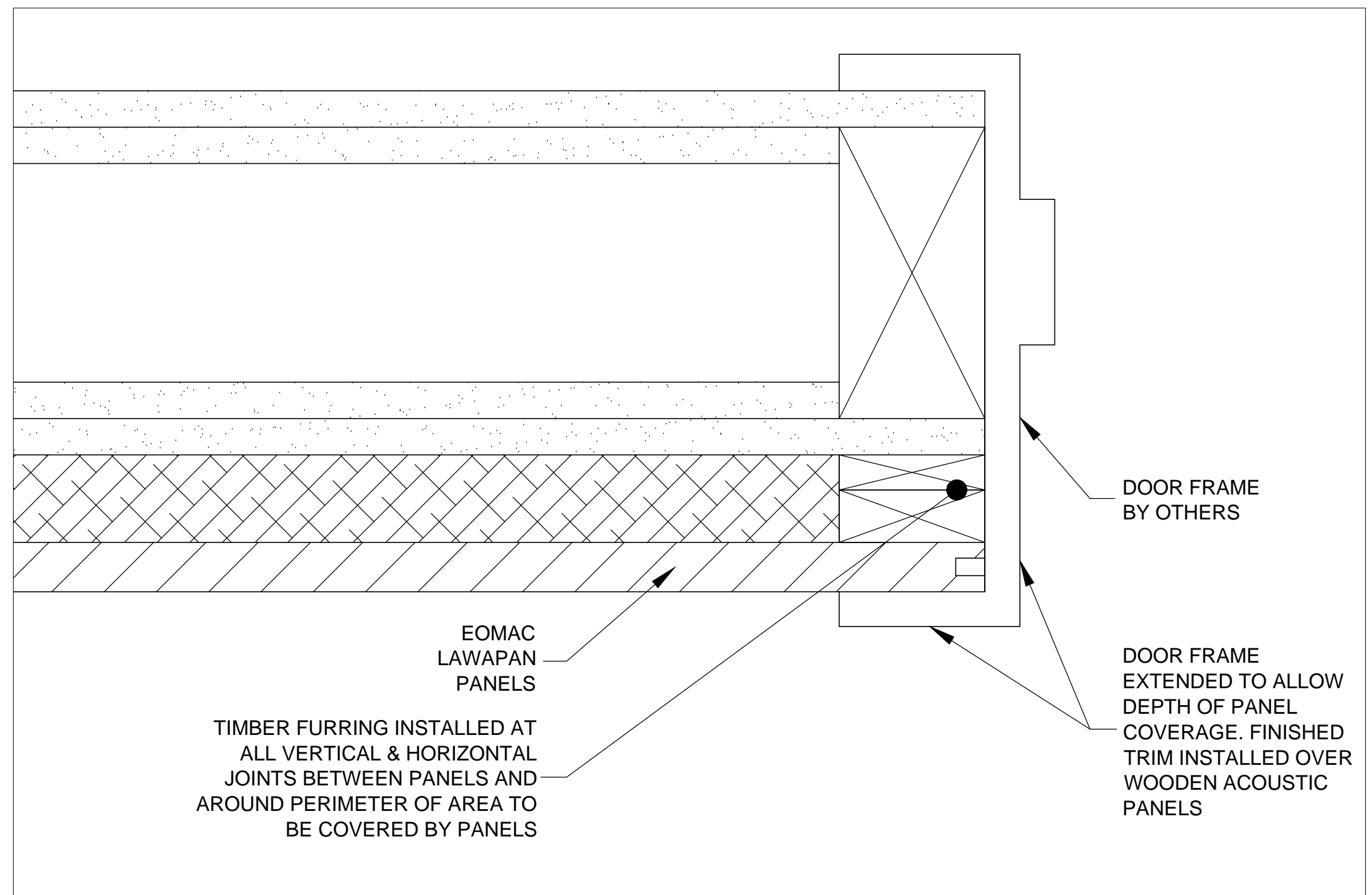
REV.	DATE
------	------



© COPYRIGHT EOMAC LTD / EOMAC UK LIMITED  
ALL RIGHTS RESERVED. NO PART OF DOCUMENT WHETHER PRINT FORM OF SUPPLIED AS DIGITAL DATA MAYBE REPRODUCED IN ANY MEANS WITHOUT PRIOR PERMISSION OF EOMAC LTD.

PROJECT  
**TYPICAL EOMAC  
DETAIL OF LAWAPAN  
ACOUSTIC PANELS**

DRAWING TITLE DETAILS	
SCALE AS SHOWN	DATE 07/ 03/ 11
DRAWN BY S.C.	DRAWING NO. <b>ERL-5</b>
CHECKED BY K.B.	



ISSUE FOR INFORMATION/ APPROVAL

NOTES

--	--

REV.	DATE
------	------



© COPYRIGHT EOMAC LTD / EOMAC UK LIMITED  
ALL RIGHTS RESERVED. NO PART OF DOCUMENT WHETHER PRINT FORM OF SUPPLIED AS DIGITAL DATA MAYBE REPRODUCED IN ANY MEANS WITHOUT PRIOR PERMISSION OF EOMAC LTD.

PROJECT  
**TYPICAL EOMAC  
DETAIL OF LAWAPAN  
ACOUSTIC PANELS**

DRAWING TITLE DETAILS	
SCALE AS SHOWN	DATE 07/ 03/ 11
DRAWN BY S.C.	DRAWING NO. <b>ERL-6</b>
CHECKED BY K.B.	

**1** DETAIL @ DOOR FRAME(ALTERNATE : 2 )  
ERL-6 SCALE : N.T.S.