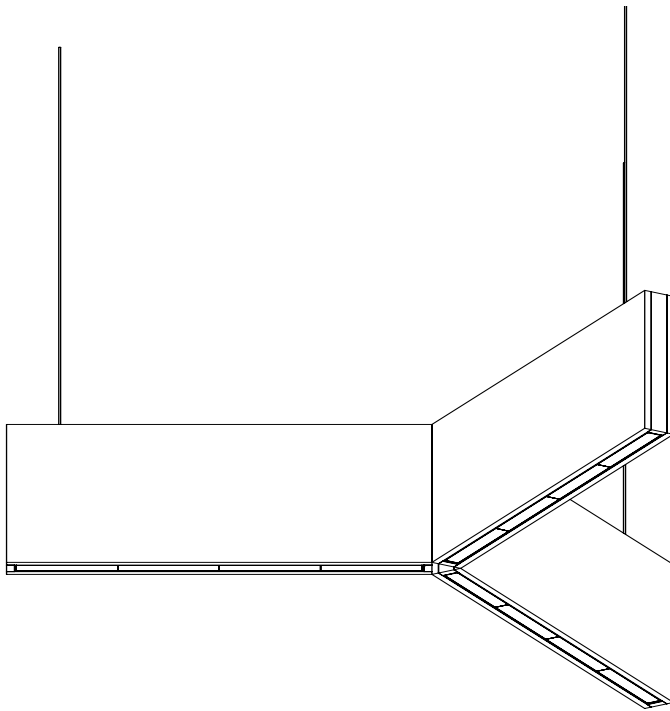


## DIRECT



### OVERVIEW

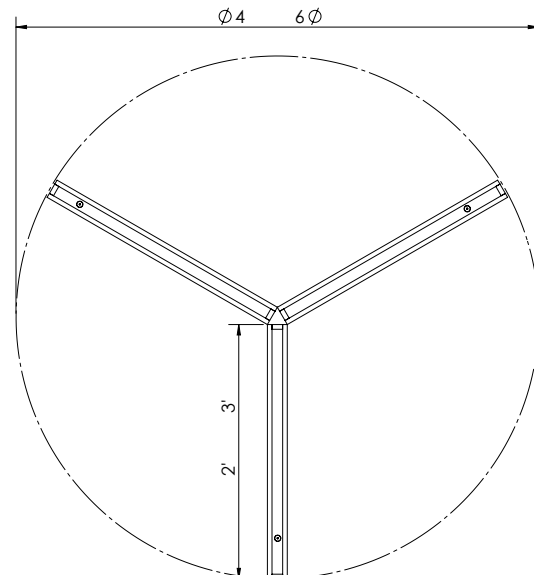
#### AIREBAFFLE™ TRIAD (DIRECT)

The AireBaffle™ Triad (Direct) provides a decorative, acoustic, down lighting fixture using Airelight™ Linear luminaires. Absorbing sound & emitting light, the AireBaffle™ TRIAD is the perfect combination of design and functionality. These suspended acoustic baffles come in different sizes and finishes.

### FEATURES

- Sound absorbing, light emitting, "Y" shaped baffle
- Integrated Airelight™ LED ceramic lighting
- Noise Reduction Coefficient (NRC) of 1.0
- Configurations: 4', 6' Diameters
- Eco-friendly acoustic material available in a variety of colors
- Use as a stand-alone pendant or grouping, or pair with other AireBaffle™ acoustic options

### DIMENSIONS



# AIREBAFFLE™ TRIAD (AIRELIGHT™ ACOUSTIC SERIES)



AIREBAFFLE™ TRIAD (AIRELIGHT™ ACOUSTIC SERIES)

DIRECT

## LIGHT SPECIFICATIONS

## PERFORMANCE

Light Fixture	Airelight™ Linear ES 1.0		<u>Linear ES 1.0</u>
Beam Angle	Lambertian	Lumens Per Foot	755 @ 3500K
Lens Aperature	1" Wide	Efficacy (lms/W)	125 @ 3500K
Directional Lighting	Direct	CRI	80+
Controls	0-10VDC / Wireless		
Rating	Suitable for Dry Locations		

## MATERIAL SPECIFICATIONS

Product Name	AireBaffle™ Triad (Direct)
Material	100% PET(recycled plastic bottles) containing up to 60% post consumer recycled content
Mounting Hardware	Griplock® Powered Suspension System / Aircraft Cable
Warranty	5 year limited warranty
Size Range	Diameter(4', 6') x Height(8", 12")
Environmental	Low-VOC material, meeting requirements for LEED and other green building certifications
Fire Rating	ASTME E-84 Class C (available with Class A treatment)
Acoustics	ASTM C423 NRC 1.0 (as Type A) / SAA Testing / Sabin Calculation

## COLOR OPTIONS



100 WHITE



155 S HEATHER



320 SKY



420 LIMON



630 ORANGE



755 VIOLET



115 W HEATHER



165 C HEATHER



345 DENIM



430 LIME



645 RED



735 FUSCHIA



125 G HEATHER



190 BLACK



375 NAVY



620 YELLOW



720 BLUSH

877.298.0092



goldeneyelighting.com

V1.1

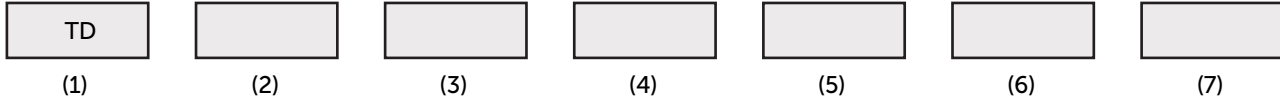
# AIREBAFFLE™ TRIAD (AIRELIGHT™ ACOUSTIC SERIES)



AIREBAFFLE™ TRIAD (AIRELIGHT™ ACOUSTIC SERIES)

DIRECT

## ORDERING



- (1) BAFFLE TYPE                      TD - TRIAD (Direct)
- (2) LIGHT FIXTURE                  1   - 1.0 ES
- (3) DIAMETER                        4 - 4'  
6 - 6'
- (4) HEIGHT                            8 - 8"  
12 - 12"
- (5) COLOR TEMP                    27 or 27-90 - 2700K 80CRI or 90CRI  
30 or 30-90 - 3000K 80CRI or 90CRI  
35 - 3500K 80CRI  
40 - 4000K 80CRI
- (6) SUSPENSION SYSTEM        PS - POWER SUSPENSION  
AC - AIRCRAFT CABLE
- (7) BAFFLE COLOR

- |                     |              |              |
|---------------------|--------------|--------------|
| 100 - WHITE         | 250 - CAFE   | 620 - YELLOW |
| 115 - WHITE HEATHER | 320 - SKY    | 630 - ORANGE |
| 120 - MIST          | 330 - AQUA   | 645 - RED    |
| 135 - GREY HEATHER  | 345 - DENIM  | 720 - BLUSH  |
| 150 - STEEL         | 375 - NAVY   | 735 - FUSCIA |
| 165 - COAL HEATHER  | 420 - LIMON  | 755 - VIOLET |
| 190 - BLACK         | 430 - LIME   |              |
| 220 - IVORY         | 440 - JADE   |              |
| 225 - FLAX          | 475 - FOREST |              |