



# UGDG

Parts List  
20-June-2015



*This parts list is current as of the above revision date.  
See <http://www.rheempartslists.net/92-42801-UGDG.pdf> for the current revision.*

**80% Gas Furnaces**

# Table of Contents

Model Explanation .....	Page 3
-------------------------	--------

## Parts Numbers

Panels (1) .....	Page 4
Panels (2) .....	Page 5
Panels (3) .....	Page 6
Electrical Group (1) .....	Page 7
Electrical Group (2) .....	Page 8
Electrical Group (3) .....	Page 9
Blower Group .....	Page 10
Heat Exchanger-Burner Group .....	Page 11
Gas Controls - Robertshaw .....	Page 12
Gas Controls - Honeywell (SP) .....	Page 13
Gas Controls Honeywell (HSI) .....	Page 14
Gas Controls - White Rodgers (HSI) .....	Page 15
Field Test Parts 07 (1) .....	Page 16
Field Test Parts 07 (2) .....	Page 17
Orifice Selection Chart .....	Page 18

## Drawings/Photographs

Exploded View .....	Page 19
Vent Pressure Detector .....	Page 19
Blower Assembly .....	Page 20
Heat Exchanger Assembly .....	Page 21

Notes .....	Page 22
-------------	---------

**MODEL NUMBER EXPLANATION**

<b>U</b>	<b>G</b>	<b>D</b>	<b>G</b>	<b>-</b>	<b>0</b>	<b>7</b>	<b>E</b>	<b>A</b>	<b>U</b>	<b>E</b>	<b>R</b>
1	2	3	4		5		6	7	8	9	10

- |  |   |
|--|---|
| <p><b>1</b>    <b>TRADENAME IDENTIFICATION</b></p> <p><b>2</b>    <b>G = GAS FURNACE</b></p> <p><b>3</b>    <b>D = UPFLOW</b></p> <p><b>4</b>    <b>DESIGN SERIES</b></p> <p><b>5</b>    <b>HEATING CAPACITY (INPUT BTU/HR)</b><br/>         04 = 45,000                      09 = 90,000<br/>         05 = 50,000                      10 = 100,000<br/>         06 = 67,500                      12 = 125,000<br/>         07 = 75,000                      15 = 150,000</p> <p><b>6</b>    <b>IGNITION TYPE</b><br/>         E = Electric Ignition (HSI)<br/>         N = Electric Ignition (HSI) w/NOX<br/>         0, 5 or 7 = Standing Pilot<br/>         M = Standing Pilot w/NOX</p> | <p><b>7</b>    <b>VARIATIONS</b><br/>         A = Standard<br/>         B = Wide Cabinet</p> <p><b>8</b>    <b>BLOWER DESIGNATION</b><br/>         M = 11 X 7 DU<br/>         R = 11 X 10 DU<br/>         U = 11 X 6 DU</p> <p><b>9</b>    <b>AIRFLOW</b><br/>         E = 1100 - 1300 CFM<br/>         G = 1500 - 1700 CFM<br/>         J = 1900 - 2100 CFM<br/>         S = 500 - 1300 CFM</p> <p><b>10</b>   <b>FUEL CODES</b><br/>         A = Canadian - Natural Gas<br/>         R = U.S. - Natural Gas</p> |
|--|---|

**SERIAL NUMBER EXPLANATION**

<b>C</b>	<b>E</b>	<b>5</b>	<b>D</b>	<b>3</b>	<b>0</b>	<b>7</b>	<b>F</b>	<b>5</b>	<b>1</b>	<b>9</b>	<b>1</b>	<b>0</b>	<b>0</b>	<b>0</b>	<b>0</b>
1	2	3	4	5	6	7	8	9	10	11	12	13	14	15	16

- |  |  |
|--|--|
| <p><b>1</b>    <b>GAS CODE</b></p> <p><b>2</b>    <b>LIMIT CONTROL</b></p> <p><b>3</b>    <b>BLOWER</b></p> <p><b>4</b>    <b>HEATING ELEMENT</b></p> <p><b>5</b>    <b>SPECIAL AREA REQUIREMENT</b></p> | <p><b>6</b>    <b>MOTOR HORSEPOWER</b></p> <p><b>7</b>    <b>PRODUCTION LOCATION</b><br/>         F = Fort Smith, AR</p> <p><b>8</b>    <b>WEEK</b></p> <p><b>9</b>    <b>YEAR</b></p> <p><b>10</b>   <b>PRODUCTION NUMBER</b></p> |
|--|--|

No.	Notes	MODEL HEATING CAPACITY IGNITION TYPE VARIATION BLOWER DESIGNATION	UGDG- 04 5/M/E/N A U	UGDG 05 0/M A U	UGDG 05 E/N A U	UGDG 06 7 A U	UGDG 06 E/N A U	UGDG 07 5/M A M
<b>PANELS, MISCELLANEOUS PARTS</b>								
1		Jacket	AS-61690-01	AS-61690-01	AS-61690-01	AS-61690-03	AS-61690-03	AS-61690-02
2	1	Top Plate - Canadian Models built w/Jumper Plugs - Before F0793	N/A	AE-61719-01	AE-61719-01	N/A	N/A	N/A
2	1	Top Plate - U.S. and Canadian Models w/o Jumper Plugs - After F0793	AE-61657-01	AE-61657-01	AE-61657-01	AE-61657-02	AE-61657-02	AE-61657-02
3		Blower/Filter Door	AE-61679-01	AE-61679-01	AE-61679-01	AE-61680-01	AE-61680-01	AE-61680-01
4		Burner Door (w/o Plug Button)	AE-61675-01	AE-61675-01	AE-61675-01	AE-61676-01	AE-61676-01	AE-61676-01
		Plug Button - 1-3/16 in opening (2)	45-22980-01	45-22980-01	45-22980-01	45-22980-01	45-22980-01	45-22980-01
5		Control Box (w/o components) - Before F1997	68-22857-01	68-22857-01	68-22857-01	68-22857-01	68-22857-01	68-22857-01
5		Control Mounting Plate - After F1997	AE-61968-01	AE-61968-01	N/A	AE-61968-01	N/A	AE-61968-01
5		Control Mounting Plate - F1997 - F1399	N/A	N/A	AE-61968-01	N/A	AE-61968-01	N/A
5		Control Mounting Plate - After F1399	N/A	N/A	AE-67877-01	N/A	AE-67877-01	N/A
		Jumper Plug - Canadian Models Before F0793	See Electrical Group					
		Silicone Tubing - Pressure Switch	79-21491-83	79-21491-83	79-21491-83	79-21491-83	79-21491-83	79-21491-83
12		Collar - Vent Pressure Detector (Canadian Models Before F0793)	N/A	AE-61507-01	AE-61507-01	N/A	N/A	N/A
14		Integrated Furnace Control Board (IFC)	See Gas Controls					
15		Pressure Switch	See Electrical Group					
16		Door Switch - Push Button	See Electrical Group					
17		Limit - Main Limit (Heat Exchanger Panel)	See Electrical Group					
19		Limit - Manual Reset (Burner Compartment)	See Electrical Group					
20		Transformer	See Electrical Group					
22		Induced Draft Blower w/Gasket	See Electrical Group					
28		Gas Valve	See Gas Controls					
		Filter Retainer Rod	45-24095-01	45-24095-01	45-24095-01	45-24095-01	45-24095-01	45-24095-01
		Filter Support Angle	AE-61883-01	AE-61883-01	AE-61883-01	AE-61883-01	AE-61883-01	AE-61883-01
		Filter Rod Support Angle	AE-60520-01	N/A	N/A	AE-60520-01	AE-60520-01	AE-60520-01
13		Filter - Permanent Plastic	54-24094-01	54-24094-01	54-24094-01	54-24094-01	54-24094-01	54-24094-01
<b>For 07 Models manufactured before F0191 - See Field Test Parts 07</b>								

No.	Notes	MODEL	UGDG	UGDG	UGDG	UGDG	UGDG	UGDG
		HEATING CAPACITY IGNITION TYPE VARIATION BLOWER DESIGNATION	07 5/M A U	07 E/N A M	07 E/N A U	10 0/M A U	10 0/M B R	10 E/N A M
<b>PANELS, MISCELLANEOUS PARTS</b>								
1		Jacket	AS-61690-03	AS-61690-02	AS-61690-03	AS-61690-03	AS-61690-04	AS-61690-02
2	1	Top Plate - Canadian Models built w/Jumper Plugs - Before F0793	AE-61719-02	AE-61719-02	AE-61719-02	AE-61719-02	AE-61719-03	AE-61719-02
2	1	Top Plate - U.S. and Canadian Models w/o Jumper Plugs - After F0793	AE-61657-02	AE-61657-02	AE-61657-02	AE-61657-02	AE-61657-03	AE-61657-02
3		Blower/Filter Door	AE-61680-01	AE-61680-01	AE-61680-01	AE-61680-01	AE-61681-01	AE-61680-01
4		Burner Door (w/o Plug Button)	AE-61676-01	AE-61676-01	AE-61676-01	AE-61676-01	AE-61677-01	AE-61676-01
		Plug Button - 1-3/16 in opening (2)	45-22980-01	45-22980-01	45-22980-01	45-22980-01	45-22980-01	45-22980-01
5		Control Box (w/o components) - Before F1997	68-22857-01	68-22857-01	68-22857-01	68-22857-01	68-22857-01	68-22857-01
5		Control Mounting Plate - After F1997	AE-61968-01	N/A	N/A	AE-61968-01	AE-61968-01	N/A
5		Control Mounting Plate - F1997 - F1399	N/A	AE-61968-01	AE-61968-01	N/A	N/A	AE-61968-01
5		Control Mounting Plate - After F1399	N/A	AE-67877-01	AE-67877-01	N/A	N/A	AE-67877-01
		Jumper Plug - Canadian Models Before F0793	See Electrical Group					
		Silicone Tubing - Pressure Switch	79-21491-83	79-21491-83	79-21491-83	79-21491-83	79-21491-83	79-21491-83
12		Collar - Vent Pressure Detector (Canadian Models Before F0793)	AE-61507-02	AE-61507-02	AE-61507-02	AE-61507-02	AE-61507-02	AE-61507-02
14		Integrated Furnace Control Board (IFC)	See Gas Controls					
15		Pressure Switch	See Electrical Group					
16		Door Switch - Push Button	See Electrical Group					
17		Limit - Main Limit (Heat Exchanger Panel)	See Electrical Group					
19		Limit - Manual Reset (Burner Compartment)	See Electrical Group					
20		Transformer	See Electrical Group					
22		Induced Draft Blower w/Gasket	See Electrical Group					
28		Gas Valve	See Gas Controls					
		Filter Retainer Rod	45-24095-01	45-24095-01	45-24095-01	45-24095-01	45-24095-01	45-24095-01
		Filter Support Angle	AE-61883-01	AE-61883-01	AE-61883-01	N/A	AE-61883-01	AE-61883-01
		Filter Rod Support Angle	AE-60520-01	AE-60520-01	AE-60520-01	N/A	AE-60520-01	AE-60520-01
13		Filter - Permanent Plastic	54-24094-01	54-24094-01	54-24094-01	54-24094-01	54-24094-02	54-24094-01
<b>For 07 Models manufactured before F0191 - See Field Test Parts 07</b>								

No.	Notes	MODEL HEATING CAPACITY IGNITION TYPE VARIATION BLOWER DESIGNATION	UGDG	UGDG	UGDG	UGDG	UGDG	UGDG
			10 E/N A U	10 E/N B R	12 5/M A R	12 E/N A R	15 0/M A R	15 E/N A R
<b>PANELS, MISCELLANEOUS PARTS</b>								
1		Jacket	AS-61690-03	AS-61690-04	AS-61690-05	AS-61690-05	AS-61690-05	AS-61690-05
2	1	Top Plate - Canadian Models built w/Jumper Plugs - Before F0793	AE-61719-02	AE-61719-03	AE-61719-04	AE-61719-04	AE-61719-04	AE-61719-04
2	1	Top Plate - U.S. and Canadian Models w/o Jumper Plugs - After F0793	AE-61657-02	AE-61657-03	AE-61657-04	AE-61657-04	AE-61657-04	AE-61657-04
3		Blower/Filter Door	AE-61680-01	AE-61681-01	AE-61682-01	AE-61682-01	AE-61682-01	AE-61682-01
4		Burner Door (w/o Plug Button)	AE-61676-01	AE-61677-01	AE-61678-01	AE-61678-01	AE-61678-01	AE-61678-01
		Plug Button - 1-3/16 in opening (2)	45-22980-01	45-22980-01	45-22980-01	45-22980-01	45-22980-01	45-22980-01
5		Control Box (w/o components) - Before F1997	68-22857-01	68-22857-01	68-22857-01	68-22857-01	68-22857-01	68-22857-01
5		Control Mounting Plate - After F1997	N/A	N/A	AE-61968-01	N/A	AE-61968-01	N/A
5		Control Mounting Plate - F1997 - F1399	AE-61968-01	AE-61968-01	N/A	AE-61968-01	N/A	AE-61968-01
5		Control Mounting Plate - After F1399	AE-67877-01	AE-67877-01	N/A	AE-67877-01	N/A	AE-67877-01
		Jumper Plug - Canadian Models Before F0793	See Electrical Group					
		Silicone Tubing - Pressure Switch	79-21491-83	79-21491-83	79-21491-83	79-21491-83	79-21491-83	79-21491-83
12		Collar - Vent Pressure Detector (Canadian Models Before F0793)	AE-61507-01	AE-61507-02	AE-61507-02	AE-61507-02	AE-61507-03	AE-61507-03
14		Integrated Furnace Control Board (IFC)	See Gas Controls					
15		Pressure Switch	See Electrical Group					
16		Door Switch - Push Button	See Electrical Group					
17		Limit - Main Limit (Heat Exchanger Panel)	See Electrical Group					
19		Limit - Manual Reset (Burner Compartment)	See Electrical Group					
20		Transformer	See Electrical Group					
22		Induced Draft Blower w/Gasket	See Electrical Group					
28		Gas Valve	See Gas Controls					
		Filter Retainer Rod	45-24095-01	45-24095-01	45-24095-01	45-24095-01	45-24095-01	45-24095-01
		Filter Support Angle	N/A	AE-61883-01	AE-61883-01	AE-61883-01	AE-61883-01	AE-61883-01
		Filter Rod Support Angle	N/A	AE-60520-01	AE-60520-01	AE-60520-01	AE-60520-01	AE-60520-01
13		Filter - Permanent Plastic	54-24094-01	54-24094-02	54-24094-03	54-24094-03	54-24094-03	54-24094-03

No.	Notes	MODEL HEATING CAPACITY IGNITION TYPE VARIATION BLOWER DESIGNATION	UGDG- 04 5/M/E/N A U	UGDG 05 0/M/E/N A U	UGDG 06 7/E/N A U	UGDG 07 5/M/E/N A M
<b>ELECTRIC GROUP</b>						
15	Stk	Pressure Switch - Before F4797	42-24064-03	42-24064-02	42-24064-03	N/A
15	Stk	Pressure Switch - After F4797	42-23648-03	42-23648-03	42-23648-03	N/A
15	Stk	Pressure Switch - Before F4296	N/A	N/A	N/A	42-24064-01
15	Stk	Pressure Switch - After F4296	N/A	N/A	N/A	42-23648-03
16		Door Switch - Push Button	42-22692-01	42-22692-01	42-22692-01	42-22692-01
17	Stk	Limit - Main Limit (Heat Exchanger Panel)	47-22679-01	47-22679-03	47-22679-02	47-22679-01
18	Stk	Vent Pressure Detector Control - Manual Reset (Canadian Models Before F0793) - HSI Models	N/A	47-21900-21	N/A	47-21900-06
18	Stk	Vent Pressure Detector Control - Manual Reset (Canadian Models Before F0793) - Standing Pilot Models	N/A	47-21900-05	N/A	N/A
	Stk,2	Vent Safety Switch - Manual Reset Limit (on Induced Draft Blower)	N/A	47-22862-01	N/A	47-22862-02
19	Stk	Limit - Manual Reset (Burner Compartment)	47-22861-01	47-22861-01	47-22861-01	47-22861-01
		Bracket (Limit - Manual Reset)	AE-61600-02	AE-61600-02	AE-61600-02	AE-61600-02
20	Stk	Transformer w/Fuse	46-22863-02	46-22863-02	46-22863-02	46-22863-02
		Transformer Fuse - 9/16 in.	46-22863-82	46-22863-82	46-22863-82	46-22863-82
		Transformer Fuse - 1-1/4 in.	44-MDL2-5PK	44-MDL2-5PK	44-MDL2-5PK	44-MDL2-5PK
21		Capacitor - Blower Motor	See Blower Group			
22	Stk,2	Induced Draft Blower w/Gasket - Before F0499	70-24071-01	70-22838-02	70-24071-02	70-22838-02
22	Stk,2	Induced Draft Blower w/Gasket - After F0499	70-24071-04	70-22838-02	70-24071-05	70-22838-02
		Jumper Plug - Canadian Models Before F0793	N/A	AS-60857-02	N/A	AS-60857-02
		Wiring Harness - 9 pin from Blower Inducer Control to 4 pin and 9 pin (Standing Pilot Ignition)	AS-61997-01	AS-61997-01	AS-61997-01	AS-61997-01
		Wiring Harness - 4 pin to 2 pin (Standing Pilot Ignition)	AS-61998-08	N/A	AS-61998-08	N/A
		Wiring Harness - 4 pin to 2 flag terminals (Standing Pilot Ignition)	N/A	AS-61705-01	N/A	AS-61705-01
		Wiring Harness - 9 pin to 2 pin and 4 terminals (Standing Pilot Ignition)	N/A	AS-61704-05	N/A	N/A
		Wiring Harness - 9 pin to 5 terminals (Standing Pilot Ignition)	AS-61998-06	AS-61998-06	AS-61998-06	AS-61998-06
		Wiring Harness - 9 pin from IFC to 9 pin (HSI) - Before F3094	AS-61702-01	AS-61702-01	AS-61702-01	AS-61702-01
		Wiring Harness - 9 pin to 7 terminals (HSI) - Before F3094	AS-61706-01	AS-61706-01	AS-61706-01	AS-61706-01
		Wiring Harness - 6 pin from IFC to 4 pin (HSI) - Before F3094	AS-61703-01	AS-61703-01	AS-61703-01	AS-61703-01
		Wiring Harness - 4 pin to two 2 pin connectors and 1 terminal (HSI) - Before F3094	AS-61707-06	N/A	AS-61707-06	N/A
		Wiring Harness - 4 pin to 2 pin/2 flag terminals/1 straight terminal (HSI) - Before F3094	N/A	AS-61707-01	N/A	AS-61707-01
		Wiring Harness - 9 pin from IFC to 9 pin (HSI) - After F3094	AS-61702-07	AS-61702-07	AS-61702-07	AS-61702-07
		Wiring Harness - 9 pin to 8 terminals (HSI) - After F3094	AS-61706-09	AS-61706-09	AS-61706-09	AS-61706-09
		Wiring Harness - 6 pin from IFC to 4 pin (HSI) - After F3094	AS-61703-01	AS-61703-01	AS-61703-01	AS-61703-01
		Wiring Harness - 4 pin to two 2 pin connectors (HSI) - After F3094	AS-61707-08	N/A	AS-61707-08	N/A
		Wiring Harness - 4 pin to 2 pin and 2 flag terminals (HSI) - F3094	N/A	AS-61707-09	N/A	AS-61707-09
<b>For 07 Models manufactured before F0191 - See Field Test Parts 07</b>						

No.	Notes	MODEL HEATING CAPACITY IGNITION TYPE VARIATION BLOWER DESIGNATION	UGDG 07 5/M A U	UGDG 07 E/N A U	UGDG 10 0/M A U	UGDG 10 0/M B R	UGDG 10 E/N A M	
<b>ELECTRIC GROUP</b>								
15	Stk	Pressure Switch - Before F4296	42-24064-01	42-24064-01	42-24064-01	42-24064-01	42-24064-01	
15	Stk	Pressure Switch - After F4296	42-23648-03	42-23648-03	42-23648-03	42-23648-03	42-23648-03	
16		Door Switch - Push Button	42-22692-01	42-22692-01	42-22692-01	42-22692-01	42-22692-01	
17	Stk	Limit - Main Limit (Heat Exchanger Panel)	47-22679-02	47-22679-02	47-22679-02	47-22679-02	47-22679-02	
18	Stk	Vent Pressure Detector Control - Manual Reset (Canadian Models Before F0793) - HSI Models	N/A	47-21900-06	N/A	N/A	47-21900-21	
18	Stk	Vent Pressure Detector Control - Manual Reset (Canadian Models Before F0793) - Standing Pilot Models	47-21900-06	N/A	47-21900-05	47-21900-05	N/A	
	Stk,2	Vent Safety Switch - Manual Reset Limit (on Induced Draft Blower)	47-22862-02	47-22862-02	47-22862-03	47-22862-03	N/A	
19	Stk	Limit - Manual Reset (Burner Compartment)	47-22861-01	47-22861-01	47-22861-01	47-22861-01	47-22861-01	
		Bracket (Limit - Manual Reset)	AE-61600-02	AE-61600-02	AE-61600-02	AE-61600-02	AE-61600-02	
20	Stk	Transformer w/Fuse	46-22863-02	46-22863-02	46-22863-02	46-22863-02	46-22863-02	
		Transformer Fuse - 9/16 in.	46-22863-82	46-22863-82	46-22863-82	46-22863-82	46-22863-82	
		Transformer Fuse - 1-1/4 in.	44-MDL2-5PK	44-MDL2-5PK	44-MDL2-5PK	44-MDL2-5PK	44-MDL2-5PK	
21		Capacitor - Blower Motor	See Blower Group					
22	Stk,2	Induced Draft Blower w/Gasket	70-22838-02	70-22838-02	70-22838-02	70-22838-02	70-22838-02	
		Jumper Plug - Canadian Models Before F0793	AS-60857-02	AS-60857-02	AS-60857-02	AS-60857-02	AS-60857-02	
		Wiring Harness - 9 pin from Blower Inducer Control to 4 pin and 9 pin (Standing Pilot Ignition)	AS-61997-01	N/A	AS-61997-01	AS-61997-01	N/A	
		Wiring Harness - 4 pin to 2 flag terminals (Standing Pilot Ignition)	AS-61705-01	N/A	AS-61705-01	AS-61705-01	N/A	
		Wiring Harness - 9 pin to 2 pin and 4 terminals (Standing Pilot Ignition)	AS-61704-05	N/A	AS-61704-05	AS-61704-05	N/A	
		Wiring Harness - 9 pin to 5 terminals (Standing Pilot Ignition)	AS-61998-06	N/A	AS-61998-06	AS-61998-06	N/A	
		Wiring Harness - 9 pin from IFC to 9 pin (HSI) - Before F3094	N/A	AS-61702-01	N/A	N/A	AS-61702-01	
		Wiring Harness - 9 pin to 7 terminals (HSI) - Before F3094	N/A	AS-61706-01	N/A	N/A	AS-61706-01	
		Wiring Harness - 6 pin from IFC to 4 pin (HSI) - Before F3094	N/A	AS-61703-01	N/A	N/A	AS-61703-01	
		Wiring Harness - 4 pin to 2 pin/2 flag terminals/1 straight terminal (HSI) - Before F3094	N/A	AS-61707-01	N/A	N/A	AS-61707-01	
		Wiring Harness - 9 pin from IFC to 9 pin (HSI) - After F3094	N/A	AS-61702-07	N/A	N/A	AS-61702-07	
		Wiring Harness - 9 pin to 8 terminals (HSI) - After F3094	N/A	AS-61706-09	N/A	N/A	AS-61706-09	
		Wiring Harness - 6 pin from IFC to 4 pin (HSI) - After F3094	N/A	AS-61703-01			AS-61703-01	
		Wiring Harness - 4 pin to 2 pin and 2 flag terminals (HSI) - After F3094	N/A	AS-61707-09	N/A	N/A	AS-61707-09	
<b>For 07 Models manufactured before F0191 - See Field Test Parts 07</b>								



No.	Notes	MODEL HEATING CAPACITY IGNITION TYPE VARIATION BLOWER DESIGNATION	UGDG 10 E/N A U	UGDG 10 E/N B R	UGDG 12 5/M/E/N A R	UGDG 15 O/M/E/N A R
<b>ELECTRICAL GROUP</b>						
15	Stk	Pressure Switch - Before F4296	42-24064-01	42-24064-01	42-24064-02	42-24064-02
15	Stk	Pressure Switch - After F4296	42-23648-03	42-23648-03	42-23648-02	42-23648-02
16		Door Switch - Push Button	42-22692-01	42-22692-01	42-22692-01	42-22692-01
17	Stk	Limit - Main Limit (Heat Exchanger Panel)	47-22679-02	47-22679-02	47-22679-03	47-22679-03
18	Stk	Vent Pressure Detector Control - Manual Reset (Canadian Models Before F0793) - HSI Models	47-21900-21	47-21900-21	47-21900-05	47-21900-01
18	Stk	Vent Pressure Detector Control - Manual Reset (Canadian Models Before F0793) - Standing Pilot Models	N/A	N/A	47-21900-01	47-21900-01
	Stk,2	Vent Safety Switch - Manual Reset Limit (on Induced Draft Blower)	47-22862-03	47-22862-03	47-22862-04	47-22862-03
19	Stk	Limit - Manual Reset (Burner Compartment)	47-22861-01	47-22861-01	47-22861-01	47-22861-01
		Bracket (Limit - Manual Reset)	AE-61600-02	AE-61600-02	AE-61600-02	AE-61600-02
20	Stk	Transformer w/Fuse	46-22863-02	46-22863-02	46-22863-02	46-22863-02
		Transformer Fuse - 9/16 in.	46-22863-82	46-22863-82	46-22863-82	46-22863-82
		Transformer Fuse - 1-1/4 in.	44-MDL2-5PK	44-MDL2-5PK	44-MDL2-5PK	44-MDL2-5PK
21		Capacitor - Blower Motor	See Blower Group			
22	Stk,2	Induced Draft Blower w/Gasket	70-22838-02	70-22838-02	70-22838-02	70-22838-02
		Jumper Plug - Canadian Models Before F0793	AS-60857-02	AS-60857-02	AS-60857-02	AS-60857-02
		Wiring Harness - 9 pin from Blower Inducer Control to 4 pin and 9 pin (Standing Pilot Ignition)	AS-61997-01	AS-61997-01	AS-61997-01	AS-61997-01
		Wiring Harness - 4 pin to 2 flag terminals (Standing Pilot Ignition)	N/A	N/A	AS-61705-01	AS-61705-01
		Wiring Harness - 9 pin to 2 pin and 4 terminals (Standing Pilot Ignition)	N/A	N/A	AS-61704-05	AS-61704-05
		Wiring Harness - 9 pin to 5 terminals (Standing Pilot Ignition)	N/A	N/A	AS-61998-06	AS-61998-06
		Wiring Harness - 9 pin from IFC to 9 pin (HSI) - Before F3094	AS-61702-01	AS-61702-01	AS-61702-01	AS-61702-01
		Wiring Harness - 9 pin to 7 terminals (HSI) - Before F3094	AS-61706-01	AS-61706-01	AS-61706-01	AS-61706-01
		Wiring Harness - 6 pin from IFC to 4 pin (HSI) - Before F3094	AS-61703-01	AS-61703-01	AS-61703-01	AS-61703-01
		Wiring Harness - 4 pin to 2 pin/2 flag terminals/1 straight terminal (HSI) - Before F3094	AS-61707-01	AS-61707-01	AS-61707-01	AS-61707-01
		Wiring Harness - 9 pin from IFC to 9 pin (HSI) - After F3094	AS-61702-07	AS-61702-07	AS-61702-07	AS-61702-07
		Wiring Harness - 9 pin to 8 terminals (HSI) - After F3094	AS-61706-09	AS-61706-09	AS-61706-09	AS-61706-09
		Wiring Harness - 6 pin from IFC to 4 pin (HSI) - After F3094	AS-61703-01	AS-61703-01	AS-61703-01	AS-61703-01
		Wiring Harness - 4 pin to 2 pin and 2 flag terminals (HSI) - After F3094	AS-61707-09	AS-61707-09	AS-61707-09	AS-61707-09

No.	Notes	MODEL HEATING CAPACITY IGNITION TYPE VARIATION BLOWER DESIGNATION FUEL CODE	UGDG	UGDG	UGDG	UGDG	UGDG	UGDG
			04 5/E/M/N A U R/A	05 0/E/M/N A U R/A	06 7/E/N A U R/A	07 5/M/E/N A U R/A	07 5.M/E/N A M R/A	10 0/M/E/N A U R/A
<b>BLOWER GROUP</b>								
23	Stk	Blower Assembly (Includes items 21, 24-27)	AS-61697-27	AS-61697-07	AS-61697-24	AS-61697-24	AS-61697-53	AS-61697-24
21	Stk	Capacitor - Blower Motor	43-21298-45	43-21298-42	43-21298-42	43-21298-42	43-21298-45	43-21298-42
24		Housing	AS-61674-09	AS-61674-01	AS-61674-01	AS-61674-01	AS-61674-02	AS-61674-01
25		Motor Mounting Legs (4)	AE-61698-02	AE-61698-02	AE-61698-02	AE-61698-02	AE-61698-02	AE-61698-02
		Motor Mounting Leg Screws (8)	63-24368-01	63-24368-01	63-24368-01	63-24368-01	63-24368-01	63-24368-01
26	Stk	Blower Motor	51-24070-01	51-22873-01	51-24070-02	51-24070-02	51-25023-01	51-24070-02
27	Stk	Blower Wheel	70-22683-01	70-22683-01	70-22683-01	70-22683-01	70-22688-01	70-22683-01
		Capacitor Strap - Before F0792	N/A	AE-50892-01	AE-50892-01	AE-50892-01	AE-50892-01	AE-50892-01
<b>For 07 Models manufactured before F0191 - See Field Test Parts 07</b>								

No.	Notes	MODEL HEATING CAPACITY IGNITION TYPE VARIATION BLOWER DESIGNATION FUEL CODE	UGDG	UGDG	UGDG	UGDG		
			10 E/N A M R/A	10 0/M/E/N B R R/A	12 5/M/E/N A R R/A	15 0/M/E/N A R R/A		
<b>BLOWER GROUP</b>								
23	Stk	Blower Assembly (Includes items 21, 24-27)	AS-61697-29	AS-61697-30	AS-61697-30	AS-61697-30		
21	Stk	Capacitor - Blower Motor	43-21298-42	43-21298-45	43-21298-45	43-21298-45		
24		Housing	AS-61674-02	AS-61674-03	AS-61674-03	AS-61674-03		
25		Motor Mounting Legs (4)	AE-61698-02	AE-61698-02	AE-61698-02	AE-61698-02		
		Motor Mounting Leg Screws (8)	63-24368-01	63-24368-01	63-24368-01	63-24368-01		
26	Stk	Blower Motor	51-24070-02	51-25023-01	51-25023-01	51-25023-01		
27	Stk	Blower Wheel	70-22688-01	70-20602-01	70-20602-01	70-20602-01		
		Capacitor Strap - Before F0792	N/A	AE-50892-01	AE-50892-01	AE-50892-01		

No.	Notes	MODEL HEATING CAPACITY IGNITION TYPE VARIATION BLOWER DESIGNATION	UGDG- 04 5/M/E/N A U	UGDG 05 0/M/E/N A U	UGDG 06 7/E/N A U	UGDG 07 5/M/E/N A M	UGDG 07 5/M/E/N A U	
<b>HEAT EXCHANGER, BURNER / MANIFOLD</b>								
6	Stk	Heat Exchanger	AS-61579-01	AS-61579-01	AS-61579-08	AS-61579-02	AS-61579-02	
7	Stk	Burner Tube w/Shield	75-22840-02 (2)	75-22840-02 (2)	75-22840-02 (3)	75-22840-02 (3)	75-22840-02 (3)	
8		NOX Burner Insert	AS-61714-01 (2)	AS-61714-01 (2)	AS-61714-01 (3)	AS-61714-01 (3)	AS-61714-01 (3)	
9		NOX Burner Retainer Rod	AE-61715-01	AE-61715-01	AE-61715-02	AE-61715-02	AE-61715-02	
		Burner Support (Holds the Burner between the Burner Support Brackets)	AE-61577-01	AE-61577-01	AE-61577-02	AE-61577-02	AE-61577-02	
10		Burner Support Bracket (2)	AE-61588-01 (2)	AE-61588-01 (2)	AE-61588-01 (2)	AE-61588-01 (2)	AE-61588-01 (2)	
11	Stk	Manifold (w/o Orifices)	81-23492-01	81-23492-01	81-23492-02	81-23492-02	81-23492-02	
		Burner Orifice - Natural Gas	See Orifice Selection Chart					
		Burner Orifice - LP	See Orifice Selection Chart					
		Number of Orifices	(2)	(2)	(3)	(3)	(3)	
<b>For 07 Models manufactured before F0191 - See Field Test Parts 07</b>								

No.	Notes	MODEL HEATING CAPACITY IGNITION TYPE VARIATION BLOWER DESIGNATION	UGDG 10 E/N A M	UGDG 10 0/M/E/N A U	UGDG 10 0/M/E/N B R	UGDG 12 5/M/E/N A R	UGDG 15 0/M/E/N A R	
<b>HEAT EXCHANGER, BURNER / MANIFOLD</b>								
6	Stk	Heat Exchanger Assembly	AS-61579-07	AS-61579-07	AS-61579-04	AS-61579-05	AS-61579-06	
7	Stk	Burner Tube w/Shield	75-22840-02 (4)	75-22840-02 (4)	75-22840-02 (4)	75-22840-02 (5)	75-22840-02 (6)	
8		NOX Burner Insert	AS-61714-01 (4)	AS-61714-01 (4)	AS-61714-01 (4)	AS-61714-01 (5)	AS-61714-01 (6)	
9		NOX Burner Retainer Rod	AE-61715-03	AE-61715-03	AE-61715-04	AE-61715-05	AE-61715-06	
		Burner Support (Holds the Burner between the Burner Support Brackets)	AE-61577-03	AE-61577-03	AE-61577-03	AE-61577-04	AE-61577-05	
10		Burner Support Bracket (2)	AE-61588-01	AE-61588-01	AE-61588-01	AE-61588-01	AE-61588-01	
11	Stk	Manifold (w/o Orifices)	81-23492-03	81-23492-03	81-23492-03	81-23492-04	81-23492-05	
		Burner Orifice - Natural Gas	See Orifice Selection Chart					
		Burner Orifice - LP	See Orifice Selection Chart					
		Number of Orifices	(4)	(4)	(4)	(5)	(6)	

No.	Notes	MODEL GAS CODE (TYPE)	UGDG BW (SP)	UGDG BX (SP)	UGDG BY (SP)	UGDG BZ (SP)
<b>GAS CONTROLS - ROBERTSHAW</b>						
28	Stk	Gas Valve - Natural Gas	60-22525-10	60-22525-10	60-22525-10	60-22525-10
28	Stk,3	Gas Valve - LP	See Note 3	See Note 3	See Note 3	See Note 3
14	Stk,6	Blower/Inducer Control Board	47-22827-01	47-22830-01	47-22693-01	47-22828-01
30		Exhaust Hood Assembly	AS-61654-01	AS-61654-01	AS-61654-01	AS-61654-01
<b>Verify pilot vendor before ordering parts</b>						
	Stk, 4	Pilot Assembly (Honeywell) - See Note 4 (On or before approximate Date Code F3792)	62-22834-01 See Note 4	62-22834-01 See Note 4	62-22834-01 See Note 4	62-22834-01 See Note 4
33	Stk	Pilot Assembly (Robertshaw) (NG - Natural Gas) (After approximate Date Code F3792)	62-22864-02	62-22864-02	62-22864-02	62-22864-02
	Stk	Pilot Orifice - Natural Gas	62-22832-02	62-22832-02	62-22832-02	62-22832-02
	Stk,5	Pilot Orifice Kit - LP	62-22834-83	62-22834-83	62-22834-83	62-22834-83
31	Stk	Thermocouple (Honeywell)	62-22348-02	62-22348-02	62-22348-02	62-22348-02
31	Stk	Thermocouple (Robertshaw)	62-19635-02	62-19635-02	62-19635-02	62-19635-02
		Pilot Tubing (Robertshaw) - Sizes 045,04M,050,05M,067,075,07M,(100 - Before F4591)	AE-60777-60	AE-60777-60	AE-60777-60	AE-60777-60
		Pilot Tubing (Robertshaw) - Sizes 100,10M	AE-60777-62	AE-60777-62	AE-60777-62	AE-60777-62
		Pilot Tubing (Robertshaw) - Sizes 125,12M	AE-60777-64	AE-60777-64	AE-60777-64	AE-60777-64
		Pilot Tubing (Robertshaw) - Sizes 150,15M	AE-60777-66	AE-60777-66	AE-60777-66	AE-60777-66
		Pilot Tubing (Honeywell) - Sizes 045,04M,050,05M,067,075,07M,(100 - Before F4591)	AE-60777-61	AE-60777-61	AE-60777-61	AE-60777-61
		Pilot Tubing (Honeywell) - Sizes 100,10M - (F4591 - F0894)	AE-60777-63	AE-60777-63	AE-60777-63	AE-60777-63
		Pilot Tubing (Honeywell) - Sizes 100,10M - (After F0894)	AE-60777-65	AE-60777-65	AE-60777-65	AE-60777-65
		Pilot Tubing (Honeywell) - Sizes 125,12M	AE-60777-65	AE-60777-65	AE-60777-65	AE-60777-65
		Pilot Tubing (Honeywell) - Sizes 150,15M	AE-60777-67	AE-60777-67	AE-60777-67	AE-60777-67
32		Pilot Bracket	AE-61658-01	AE-61658-01	AE-61658-01	AE-61658-01
		Pilot Shield	AE-61757-01	AE-61757-01	AE-61757-01	AE-61757-01
		<b>LP Conversion Kit:</b>				
	Stk	U.S. Models	FP-15	FP-15	FP-15	FP-15
	Stk	Canadian Models	FP-04	FP-04	FP-04	FP-04
<b>For 07 Models manufactured before F0191 - See Field Test Parts 07</b>						

No.	Notes	MODEL GAS CODE (TYPE)	UGDG BT (HSI)	UGDG CA (HSI)		
<b>GAS CONTROLS - ROBERTSHAW</b>						
28	Stk	Gas Valve - Natural Gas	60-22525-11	60-22525-11		
28	Stk,3	Gas Valve - LP	See Note 3	See Note 3		
14	Stk	Integrated Furnace Control Board (IFC)	62-22737-07	62-22694-01		
	Stk	Flame Sensor	62-23543-01	62-23543-01		
29	Stk	Ignitor	62-22868-02	62-22868-02		
		Ignitor Bracket	AE-61581-01	AE-61581-01		
		Ignitor Shield	AE-61627-01	AE-61627-01		
		<b>LP Conversion Kit:</b>				
	Stk	U.S. Models	FP-15	FP-15		
	Stk	Canadian Models	FP-04	FP-04		
<b>For 07 Models manufactured before F0191 - See Field Test Parts 07</b>						

No.	Notes	MODEL GAS CODE (TYPE)	UGDG BA (SP)	UGDG BB (SP)	UGDG BL (SP)	UGDG BG (SP)	UGDG CB (SP)	UGDG CC (SP)
<b>GAS CONTROLS - HONEYWELL</b>								
28	Stk	Gas Valve - Natural Gas	60-22174-02	60-22174-02	60-22174-02	60-22174-02	60-22174-02	60-22174-02
28	Stk,3	Gas Valve - LP	See Note 3	See Note 3	See Note 3	See Note 3	See Note 3	See Note 3
14	Stk,6	Blower/Inducer Control Board	47-22827-01	47-22830-01	47-22828-01	47-22693-01	47-22827-03	47-22828-02
30		Exhaust Hood Assembly	AS-61654-01	AS-61654-01	AS-61654-01	AS-61654-01	AS-61654-01	AS-61654-01
<b>Verify pilot vendor before ordering parts</b>								
	Stk, 4	Pilot Assembly (Honeywell) - See Note 4 (On or before approximate Date Code F3792)	62-22834-01 See Note 4	62-22834-01 See Note 4	62-22834-01 See Note 4	62-22834-01 See Note 4	62-22834-01 See Note 4	62-22834-01 See Note 4
33	Stk	Pilot Assembly (Robertshaw) (NG - Natural Gas) (After approximate Date Code F3792)	62-22864-02	62-22864-02	62-22864-02	62-22864-02	62-22864-02	62-22864-02
	Stk	Pilot Orifice - Natural Gas	62-22832-02	62-22832-02	62-22832-02	62-22832-02	62-22832-02	62-22832-02
	Stk,5	Pilot Orifice Kit - LP	62-22834-83	62-22834-83	62-22834-83	62-22834-83	62-22834-83	62-22834-83
31	Stk	Thermocouple (Honeywell)	62-22348-02	62-22348-02	62-22348-02	62-22348-02	62-22348-02	62-22348-02
31	Stk	Thermocouple (Robertshaw)	62-19635-02	62-19635-02	62-19635-02	62-19635-02	62-19635-02	62-19635-02
		Pilot Tubing (Robertshaw) - Sizes 045,04M,050,05M,067,075,07M,100 (Before F4591)	AE-60777-60	AE-60777-60	AE-60777-60	AE-60777-60	AE-60777-60	AE-60777-60
		Pilot Tubing (Robertshaw) - Sizes 100,10M	AE-60777-62	AE-60777-62	AE-60777-62	AE-60777-62	AE-60777-62	AE-60777-62
		Pilot Tubing (Robertshaw) - Sizes 125,12M	AE-60777-64	AE-60777-64	AE-60777-64	AE-60777-64	AE-60777-64	AE-60777-64
		Pilot Tubing (Robertshaw) - Sizes 150,15M	AE-60777-66	AE-60777-66	AE-60777-66	AE-60777-66	AE-60777-66	AE-60777-66
		Pilot Tubing (Honeywell) - Sizes 045,04M,050,05M,067,075,07M,100 (Before F4591)	AE-60777-61	AE-60777-61	AE-60777-61	AE-60777-61	AE-60777-61	AE-60777-61
		Pilot Tubing (Honeywell) - Sizes 100,10M - (F4591 - F0894)	AE-60777-63	AE-60777-63	AE-60777-63	AE-60777-63	AE-60777-63	AE-60777-63
		Pilot Tubing (Honeywell) - Sizes 100,10M - (After F0894)	AE-60777-65	AE-60777-65	AE-60777-65	AE-60777-65	AE-60777-65	AE-60777-65
		Pilot Tubing (Honeywell) - Sizes 125,12M	AE-60777-65	AE-60777-65	AE-60777-65	AE-60777-65	AE-60777-65	AE-60777-65
		Pilot Tubing (Honeywell) - Sizes 150,15M	AE-60777-67	AE-60777-67	AE-60777-67	AE-60777-67	AE-60777-67	AE-60777-67
32		Pilot Bracket	AE-61658-01	AE-61658-01	AE-61658-01	AE-61658-01	AE-61658-01	AE-61658-01
		Pilot Shield	AE-61757-01	AE-61757-01	AE-61757-01	AE-61757-01	AE-61757-01	AE-61757-01
		<b>LP Conversion Kit:</b>						
	Stk	U.S. Models	FP-15	FP-15	FP-15	FP-15	FP-15	FP-15
	Stk	Canadian Models	FP-04	FP-04	FP-04	FP-04	FP-04	FP-04

No.	Notes	MODEL GAS CODE (TYPE)	UGDG BR (HSI)	UGDG CE (HSI)	UGDG CV (HSI)	UGDG CW (HSI)	UGDG CX (HSI)	UGDG CY (HSI)
<b>GAS CONTROLS - HONEYWELL</b>								
28	Stk	Gas Valve - Natural Gas	60-22866-01	60-22866-01	60-22866-01	60-22866-01	60-22866-01	60-22866-01
28	Stk,3	Gas Valve - LP	See Note 3	See Note 3	See Note 3	See Note 3	See Note 3	See Note 3
14	Stk	Integrated Furnace Control Board (IFC)	62-22737-06	62-22694-02	62-22694-03	62-22737-08	62-22737-10	62-22694-11
	Stk	Flame Sensor	62-23543-01	62-23543-01	62-23543-01	62-23543-01	62-23543-01	62-23543-01
29	Stk	Ignitor	62-22868-02	62-22868-02	62-22868-02	62-22868-02	62-22868-02	62-22868-02
		Ignitor Bracket	AE-61581-01	AE-61581-01	AE-61581-01	AE-61581-01	AE-61581-01	AE-61581-01
		Ignitor Shield	AE-61627-01	AE-61627-01	AE-61627-01	AE-61627-01	AE-61627-01	AE-61627-01
		<b>LP Conversion Kit:</b>						
	Stk	U.S. Models	FP-15	FP-15	FP-15	FP-15	FP-15	FP-15
	Stk	Canadian Models	FP-04	FP-04	FP-04	FP-04	FP-04	FP-04

No.	Notes	MODEL GAS CODE (TYPE)	UGDG BS (HSI)	UGDG CD (HSI)	UGDG CM (HSI)	UGDG CS (HSI)	UGDG CT (HSI)	UGDG CU (HSI)
<b>GAS CONTROLS - HONEYWELL</b>								
28	Stk	Gas Valve - Natural Gas	60-22866-01	60-22866-01	60-22866-01	60-22866-01	60-22866-01	60-22866-01
28	Stk,3	Gas Valve - LP	See Note 3	See Note 3	See Note 3	See Note 3	See Note 3	See Note 3
14	Stk	Integrated Furnace Control Board (IFC)	62-22694-01	62-22737-07	62-22694-03	62-22737-08	62-22737-10	62-22694-11
	Stk	Flame Sensor	62-23543-01	62-23543-01	62-23543-01	62-23543-01	62-23543-01	62-23543-01
29	Stk	Ignitor	62-22868-02	62-22868-02	62-22868-02	62-22868-02	62-22868-02	62-22868-02
		Ignitor Bracket	AE-61581-01	AE-61581-01	AE-61581-01	AE-61581-01	AE-61581-01	AE-61581-01
		Ignitor Shield	AE-61627-01	AE-61627-01	AE-61627-01	AE-61627-01	AE-61627-01	AE-61627-01
		<b>LP Conversion Kit:</b>						
	Stk	U.S. Models	FP-15	FP-15	FP-15	FP-15	FP-15	FP-15
	Stk	Canadian Models	FP-04	FP-04	FP-04	FP-04	FP-04	FP-04

No.	Notes	MODEL GAS CODE (TYPE)	UGDG DC (HSI)	UGDG DF (HSI)				
<b>GAS CONTROLS - HONEYWELL</b>								
28	Stk	Gas Valve - Natural Gas	60-22866-01	60-22866-01				
28	Stk,3	Gas Valve - LP	See Note 3	See Note 3				
14	Stk	Integrated Furnace Control Board (IFC)	62-24044-01	62-24084-02				
	Stk	Flame Sensor	62-23543-01	62-23543-01				
29	Stk	Ignitor	62-22868-02	62-22868-02				
		Ignitor Bracket	AE-61581-01	AE-61581-01				
		Ignitor Shield	AE-61627-01	AE-61627-01				
		<b>LP Conversion Kit:</b>						
	Stk	U.S. Models	FP-15	FP-15				
	Stk	Canadian Models	FP-04	FP-04				

No.	Notes	MODEL GAS CODE (TYPE)	UGDG DA (HSI)	UGDG DB (HSI)	UGDG DG (HSI)	UGDG DH (HSI)
<b>GAS CONTROLS - WHITE RODGERS</b>						
28	Stk	Gas Valve - Natural Gas	60-23490-01	60-23490-01	60-23490-01	60-23490-01
28	Stk,3	Gas Valve - LP	See Note 3	See Note 3	See Note 3	See Note 3
14	Stk	Integrated Furnace Control Board (IFC)	62-22737-08	62-22694-11	62-24084-02	62-24044-01
	Stk	Flame Sensor	62-23543-01	62-23543-01	62-23543-01	62-23543-01
29	Stk	Ignitor	62-22868-02	62-22868-02	62-22868-02	62-22868-02
		Ignitor Bracket	AE-61581-01	AE-61581-01	AE-61581-01	AE-61581-01
		Ignitor Shield	AE-61627-01	AE-61627-01	AE-61627-01	AE-61627-01
		<b>LP Conversion Kit:</b>				
	Stk	U.S. Models	FP-15	FP-15	FP-15	FP-15
	Stk	Canadian Models	FP-04	FP-04	FP-04	FP-04

No.	Notes	MODEL HEATING CAPACITY VARIATION BLOWER DESIGNATION AIRFLOW FUEL CODE	UGDG 07E A U E R	UGDG 075 A U E R		
<b>FIELD TEST - DATE CODE BEFORE F0191</b>						
<b>PANELS, SHEET METAL, MISCELLANEOUS</b>						
	10	Jacket	AS-61618-05	AS-61618-05		
		Top Plate	AE-61657-02	AE-61657-02		
		Blower Door	AE-61586-02	AE-61586-02		
		Burner Door	AE-61587-02	AE-61587-02		
		Heat Exchanger Assembly w/Insulation	AS-61579-02	AS-61579-02		
		Burner (3)	75-22840-01	75-22840-01		
	11	Burner Support-Holds the Burners Between the Burner Support Brackets	AE-61577-02	AE-61577-02		
		Burner Support Bracket (2)	AE-61588-01	AE-61588-01		
		Manifold (w/o Orifices) - "T" STYLE	81-22842-02	81-22842-02		
		Burner Orifice - Natural Gas (3)	62-21551-42	62-21551-42		
		Silicone Rubber Tubing (Pressure Switch)	68-21812-02	68-21812-02		
		Filter Retainer Rod	45-22867-01	45-22867-01		
		Filter Retainer Rod	45-22867-01	45-22867-01		
		Filter - Permanent	54-22697-01	54-22697-01		

No.	Notes	MODEL GAS CODE (TYPE)	UGDG AU (HSI)	UGDG BK (HSI)		
<b>FIELD TEST - DATE CODE BEFORE F0191</b>						
<b>GAS CONTROLS - ROBERTSHAW (HSI)</b>						
		Gas Valve - Natural Gas	60-22525-04	60-22525-04		
	7	Gas Valve - LP	See Note 7	See Note 7		
		Integrated Furnace Control Board (IFC)	62-22737-02	62-22694-01		
		Ignitor - Norton	62-22441-01	62-22441-01		
	7	Spring Conversion Assembly	60-18759-06	60-18759-06		
		LP Conversion Kit - U.S. Models	EP-65R	EP-65R		

No.	Notes	MODEL GAS CODE (TYPE)	UGDG BD (SP)	UGDG BE (SP)	UGDG BH (SP)	UGDG BM (SP)
<b>FIELD TEST - DATE CODE BEFORE F0191</b>						
<b>GAS CONTROLS - ROBERTSHAW (STANDING PILOT)</b>						
		Gas Valve - Natural Gas	60-22525-01	60-22525-01	60-22525-01	60-22525-01
	7	Gas Valve - LP	See Note 7	See Note 7	See Note 7	See Note 7
		Blower/Inducer Control Board	47-22827-01	47-22830-01	47-22693-01	47-22828-01
		Pilot Assembly (Honeywell)	62-22834-01	62-22834-01	62-22834-01	62-22834-01
		Pilot Orifice (Honeywell) - Natural	62-22834-02	62-22834-02	62-22834-02	62-22834-02
		Pilot Orifice - (Honeywell) - LP	62-22834-03	62-22834-03	62-22834-03	62-22834-03
		Thermocouple Kit (Robertshaw)	62-22348-01	62-22348-01	62-22348-01	62-22348-01
	7	Spring Conversion Assembly	60-18759-06	60-18759-06	60-18759-06	60-18759-06
		LP Conversion Kit - U.S. Models	EP-64R	EP-64R	EP-64R	EP-64R



No.	Notes	MODEL	UGDG	UGDG
		HEATING CAPACITY VARIATION BLOWER DESIGNATION AIRFLOW FUEL CODE	07E A U E R	075 A U E R
<b>FIELD TEST - DATE CODE BEFORE F0191</b>				
<b>ELECTRIC GROUP</b>				
		Pressure Switch	42-22682-01	42-22682-01
		Door Switch - Push Button	42-22692-01	42-22692-01
		Limit - Main Limit (Heat Exchanger Panel)	47-22679-02	47-22679-02
		Vent Safety Switch - Manual Reset Limit on Induced Draft Motor	47-22383-40	47-22383-40
		Limit - Manual Reset (Burner Compartment)	47-22383-05	47-22383-05
		Transformer	46-22691-01	46-22691-01
		Induced Draft Blower Motor w/Gasket	70-22838-01	70-22838-01

No.	Notes	MODEL	UGDG	UGDG
		HEATING CAPACITY VARIATION BLOWER DESIGNATION AIRFLOW FUEL CODE	07E A U E R	075 A U E R
<b>FIELD TEST - DATE CODE BEFORE F0191</b>				
<b>BLOWER GROUP</b>				
		Complete Blower Assembly	AS-61604-01	AS-61604-01
		Blower Assembly (Wheel, Motor, Housing)	AS-61697-01	AS-61697-01
		Control Box	68-22857-01	68-22857-01
		Control Box Cover	AE-61699-01	AE-61699-01
		Motor Mounting Legs (4)	AE-61612-01	AE-61612-01
		Screws (8)	63-22338-03	63-22338-03
		Blower Motor	51-22686-01	51-22686-01
		Blower Wheel	70-22683-01	70-22683-01
		Capacitor - Blower Motor	43-20847-11	43-20847-11
		Capacitor Strap	AE-50892-01	AE-50892-01

**80% GAS FURNACE - ORIFICE SELECTION CHART - NATURAL GAS**

**CAUTION:** Selection of the correct Natural Gas Orifice requires the following information for the specific installation:

- 1) Altitude in of the installation (ft.).
- 2) Average energy content of the Natural Gas fuel from the local supplier (BTU/cu. ft.).

For detailed information and instructions for Orifice selection, see the Gas Furnace LP Conversion Kit Index 92-21519-59 and the latest edition of the National Fuel Gas Code Handbook, or the National Standard of Canada, Natural Gas and Propane Installation Code, CAN B149.1.

**CAUTION:** This information is provided for replacement purposes only. Conversion for operation at High Altitude must be done using the kit specified on the product specification sheet for the unit.

NOTE: This Orifice sizing chart is based on 25,000 BTU/HR per burner.

NOTE: Factory installed orifices are calculated and sized based on a Natural Gas heating value of 1075 BTU/cu. ft. and an elevation of 0 - 3000 ft.

Energy Value (BTU/cu. ft.)	Elevation (ft.)							
	0 - 1999	2000 - 2999	3000 - 3999	4000 - 4999	5000 - 5999	6000 - 6999	7000 - 7999	8000 - 8999
<b>850</b>	62-22175-38	62-22175-39	62-22175-40	62-22175-41	62-22175-41	62-22175-42	62-22175-42	62-22175-43
<b>900</b>	62-22175-40	62-22175-41	62-22175-42	62-22175-42	62-22175-42	62-22175-43	62-22175-43	62-22175-44
<b>975</b>	62-22175-41	62-22175-42	62-22175-42	62-22175-42	62-22175-43	62-22175-43	62-22175-44	62-22175-44
<b>1075</b>	62-22175-42	62-22175-42	62-22175-43	62-22175-43	62-22175-43	62-22175-44	62-22175-44	62-22175-45
<b>1170</b>	62-22175-43	62-22175-44	62-22175-44	62-22175-44	62-22175-45	62-22175-45	62-22175-46	62-22175-47

**80% GAS FURNACE - ORIFICE SELECTION CHART - LP**

**CAUTION:** Selection of the correct LP Orifice requires the altitude of the specific installation (ft.).

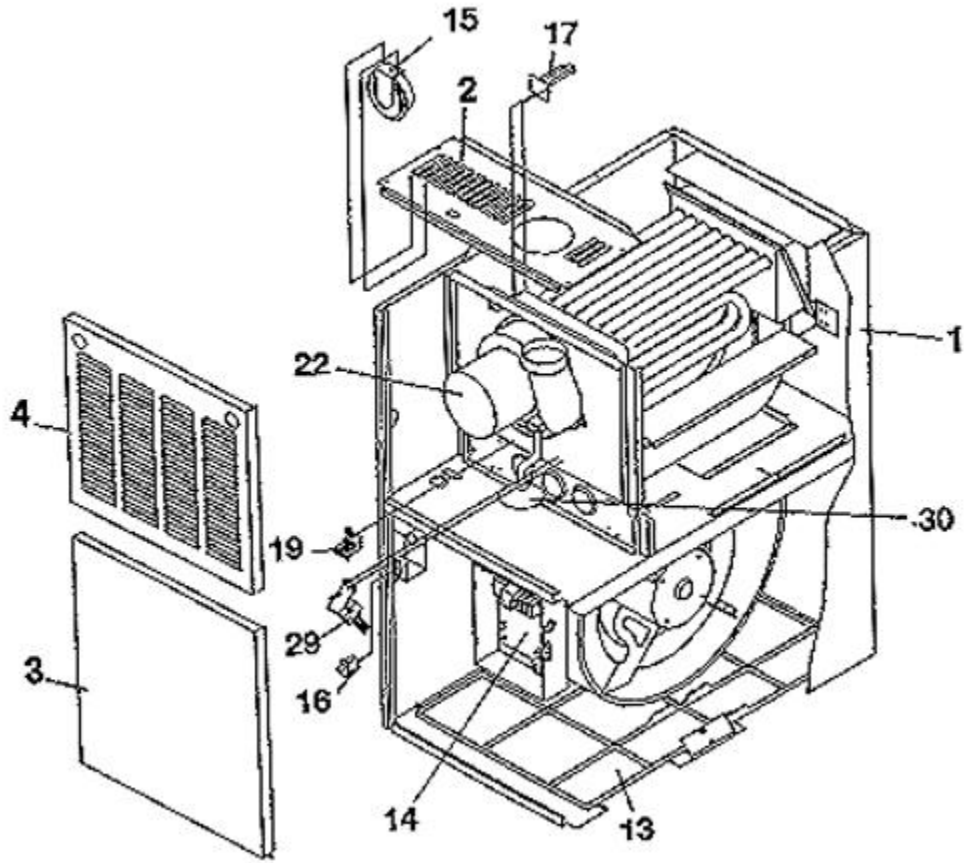
For detailed information and instructions for Orifice selection, see the Gas Furnace LP Conversion Kit Index 92-21519-59 and the latest edition of the National Fuel Gas Code Handbook (NFG), or the National Standard of Canada, Natural Gas and Propane Installation Code, CAN B149.1.

**CAUTION:** This information is provided for replacement purposes only. Conversion to LP or for operation at High Altitude should be done using the kit(s) specified on the product specification sheet for the unit.

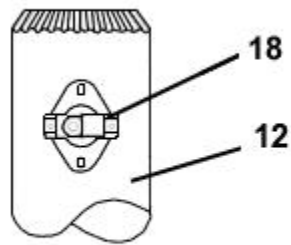
NOTE: This Orifice sizing chart is based on 25,000 BTU/HR per burner. Also, the chart is developed using the specified pressure setting of 10 in. water column instead of the 11.0 in water column used by the NFG and CANB149.1.

NOTE: Orifices supplied in the LP Conversion Kit are calculated and sized based on an altitude of 0 - 4000 ft.

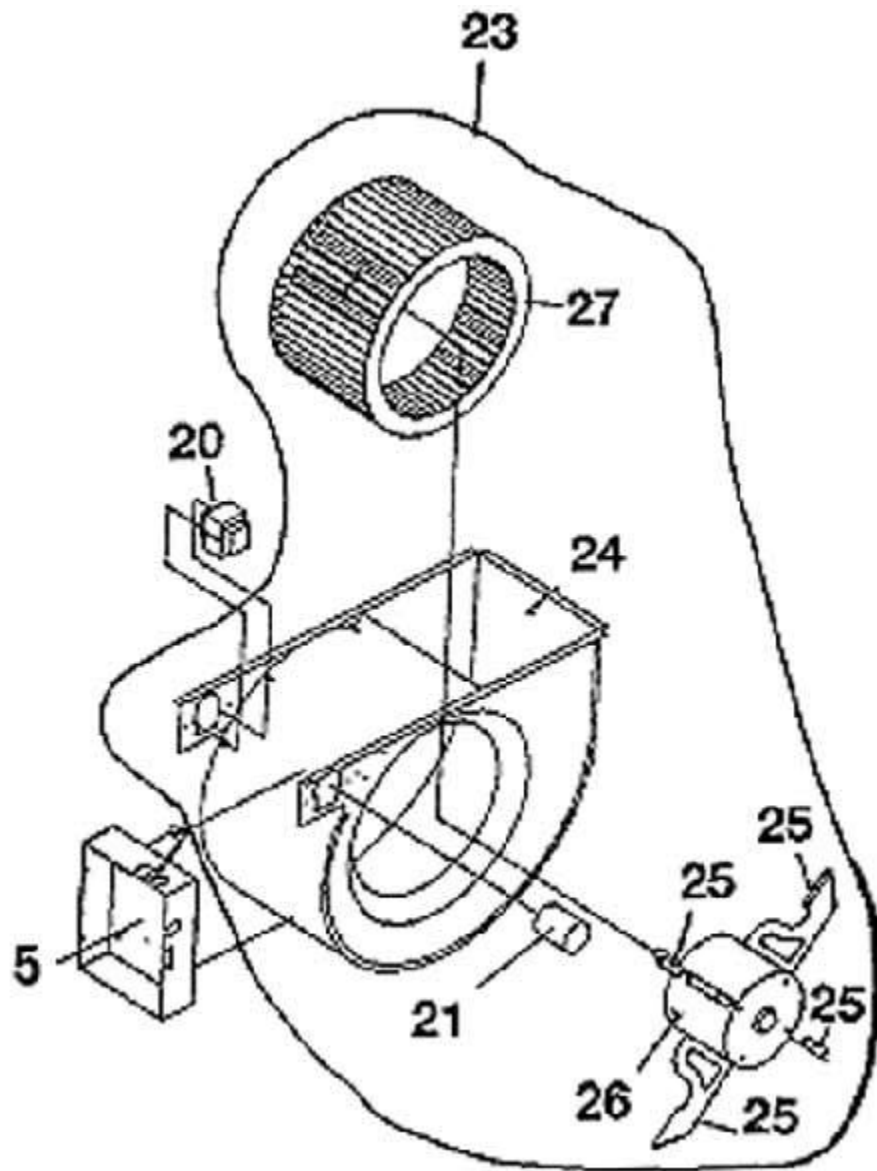
Elevation (ft.)	Orifice							
0 - 2000	62-22175-54							
2001 - 3000	62-22175-54							
3001 - 4000	62-22175-54							
4001 - 5000	62-22175-54							
5001 - 6000	62-22175-54							
6001 - 7000	62-22175-54							
7001 - 8000	62-22175-55							
8001 - 9000	62-22175-55							
9001 - 10000	62-22175-55							



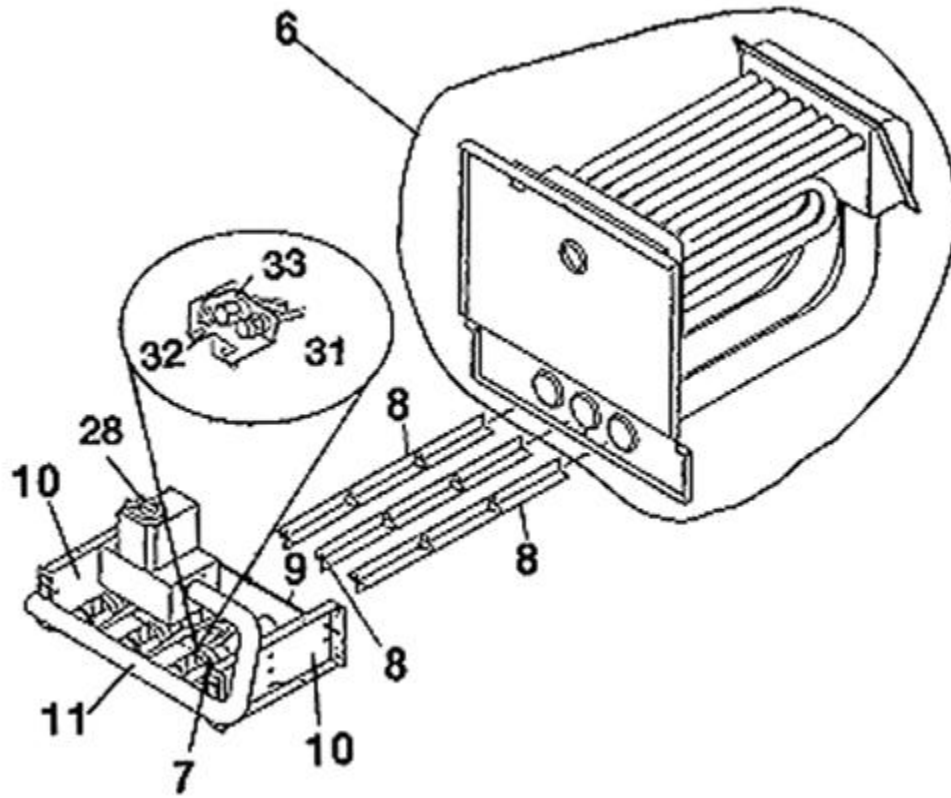
Exploded View



Vent Pressure Detector



Blower Assembly



Heat Exchanger Assembly

# NOTES

Stk It is recommended that stock be maintained for this part.

N/A Not Applicable

- 1 In February 1993, Production discontinued the use of the Vent Pressure Detector on the Canadian models. This change eliminated the Vent Pressure Detector Collar, Control and Jumper Plug. At this time, production stopped using the Canadian Model Top Plate which included a hole for the Jumper Plug, and went to the standard U.S. Model Top Plate.
- 2 Induced Draft Blowers were re-designed after Date Code F2192 to no longer include the mounting molding for the Vent Safety Switch. The Vent Safety Switch is not required on replacement induced draft blower motors. Remove the wiring flag connectors and connect the wires together.
- 3 Order Gas Valve for Natural Gas along with LP Conversion Kit.
- 4 62-22864-82 is a Robertshaw Pilot Assembly Field Service Kit and is designed for use in replacing the Honeywell pilot assembly 62-22834-01. This kit includes: Robertshaw Pilot (with NG Orifice installed), Pilot Bracket And Shield, Pilot Tubing, Thermocouple, Ferrule, LP Gas Pilot Orifice. Verify pilot vendor before using the parts list to order replacement parts.
- 5 Production utilized either Honeywell or Robertshaw pilots, this kit includes both orifices.
- 6 For Adjusting the blower control function "ON-OFF".
- 7 Order Gas Valve for Natural Gas along with Spring Conversion Assembly.