



**INSCAPE**

ACME 50  
Application Guide



# CONTENTS

- Features & Benefits ..... 2
- Product Images .....3-8
  
- TRIM AND CONNECTORS
- Trim & Connector Diagram..... 9
- Partition Profile Section ..... 10
- Adjustability..... 11
- Ceiling & Floor Track ..... 12
- Typical Drawing Package ..... 13
- Wall Start Condition ..... 14
- Finished End Condition ..... 15
- Corner Condition..... 16
- 3 Way "T" Condition ..... 17
- Bypass Panel ..... 18
- Butt-Joint Condition..... 19
- Angular Condition ..... 20
  
- DOORS AND FRAMES
- Hinged Doors .....21-22
- Pivot Doors ..... 23
- Sliding Doors ..... 24
- Full Height Frames ..... 25
- Door Details.....26-28
- Hardware..... 29
- Typical Applications .....30-31
  
- Specification Check List ..... 32

# INTRODUCTION

Acme 50 is a clean, seamless glass wall with a modern, slim aesthetic. It encloses space while maximizing daylight in workspaces. Acme 50 blends harmoniously with the surrounding architecture. Ideally suited for office front applications, its minimalist aesthetic can enhance any corporate, creative or architectural environment.

Acme 50 can be specified with many combinations of specialty glass, frame colors, and a variety of door and hardware options. Acme 50 allows 1" of adjustability within the slim 1½" profile. Levelers are concealed within the bottom rails and spaced every 18" to ensure a stable platform to support the glass panels. Manufactured using glass and 18 gauge steel, it is an eco-friendly choice.

## FEATURES & BENEFITS:

- 1½" high by 2½" deep minimalist profile
- 1" of total adjustability (helps to eliminate costly flash patching and feathering)
- Framed glass door options with matching 1½" stiles and rails are available in sliding, hinged and pivot configurations
- Frameless swinging glass doors
- Full or half-height locking door pulls
- Finish options include powder-coated steel, textured paints, and glazing to accommodate a variety of aesthetic choices
- Available with either ¾" or ½" thick glass
- Utilizes US hardware and cylinders to be compatible with existing master key systems
- Only framed glass door on the market that accepts full size commercial mortise lock, such as the Corbin ML2000
- 36-39 STC rating for glass panels
- Acme 50 can contribute points toward LEED projects
- Manufactured within 500 miles of projects in Chicago, Boston, New York and Washington DC
- High recycled steel and glass content
- FSC Certified wood doors

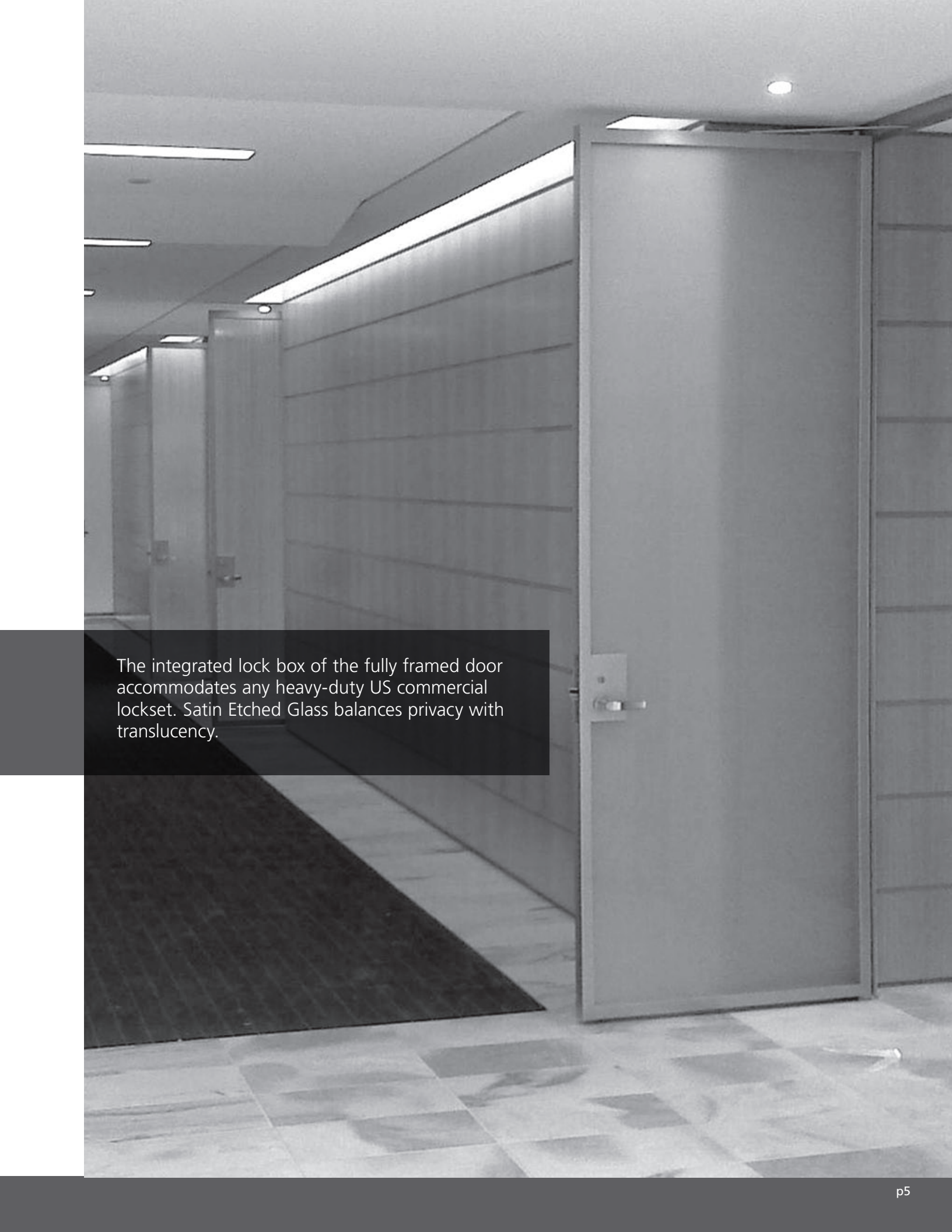
Minimalist design is highlighted by post-less corner conditions and framed sliding doors. Graduated specialty glass creates a sense a privacy while maximizing the exposure to natural light.





An endless variety of veneer door options are available to meet the designers requirements and budget.





The integrated lock box of the fully framed door accommodates any heavy-duty US commercial lockset. Satin Etched Glass balances privacy with translucency.

For maximum privacy, glass can be nearly opaque.







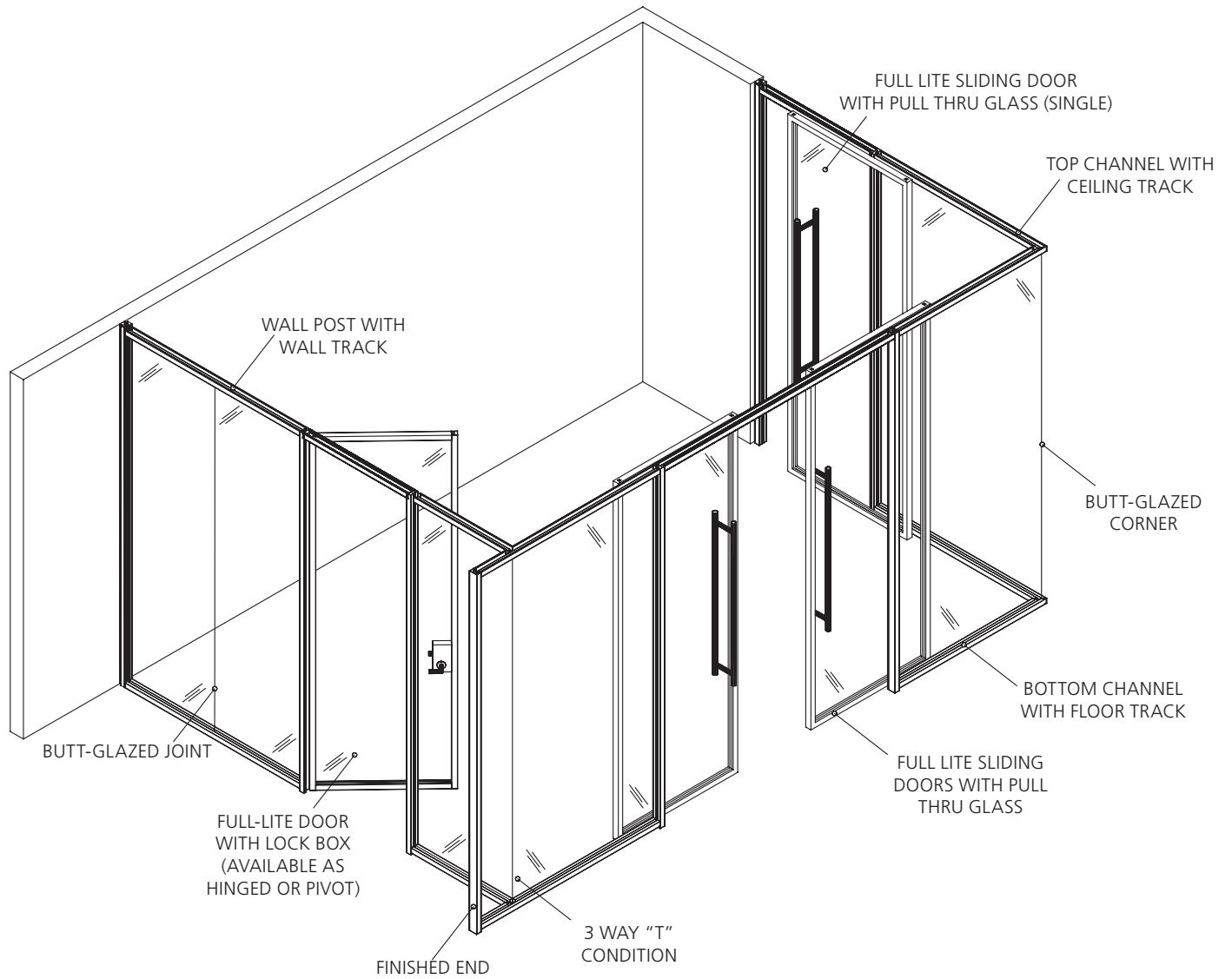
Acme 50 easily integrates with millwork walls. Clerestory windows allow light into the space while adding privacy.

3 Way "T" condition allows small offices or spaces to feel larger and more open.



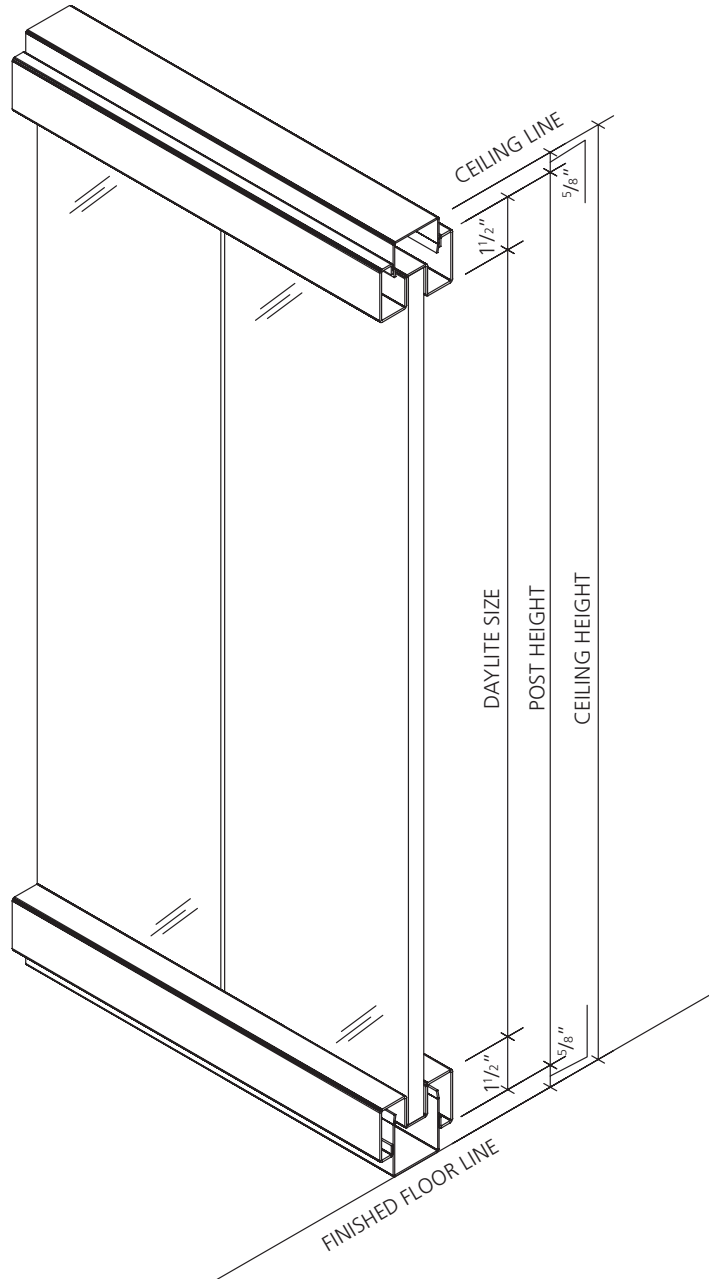
# TRIM & CONNECTORS

## TRIM & CONNECTOR DIAGRAM



# PROFILES

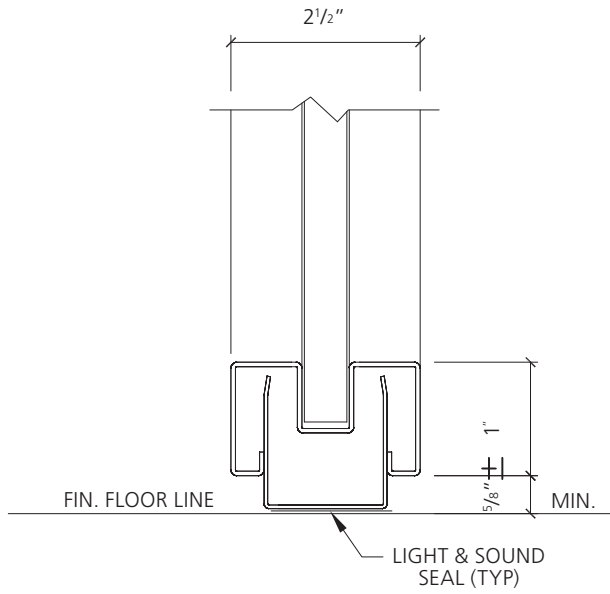
## PARTITION PROFILE SECTION



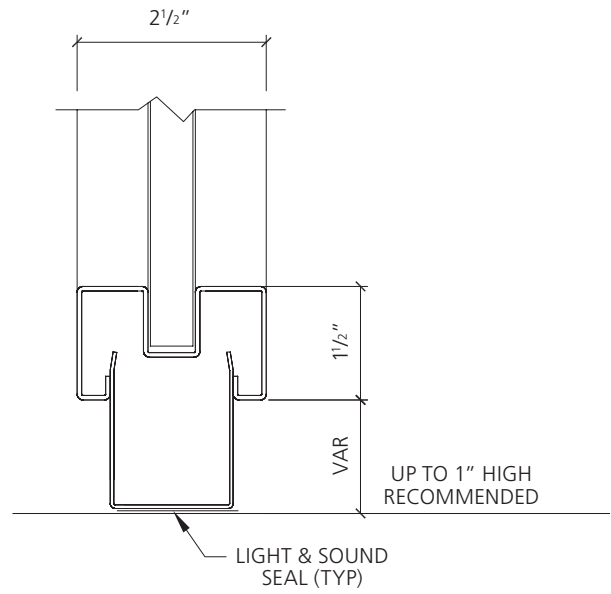


# ADJUSTABILITY

IDEAL FLOOR



LOW POINT OF FLOOR REVEAL - VARIES



**Notes: Concealed levelers in the base allow for over 1" of height adjustability to varying floor conditions.**

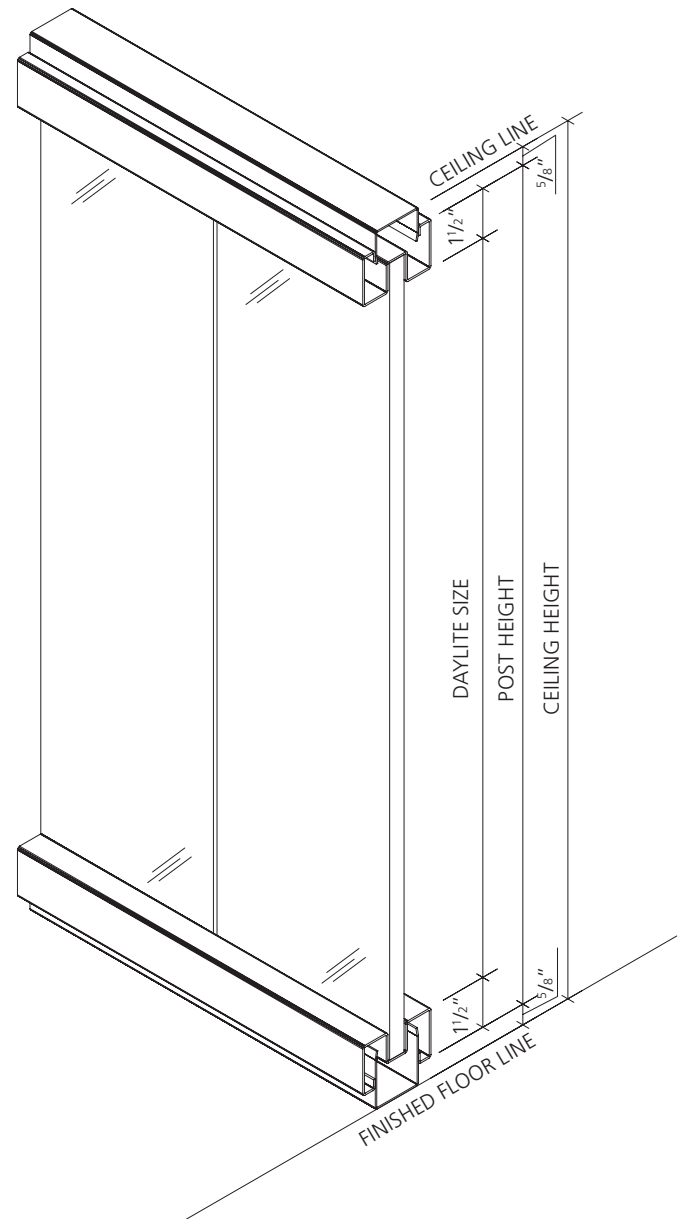
# TRIM & CONNECTORS

## CEILING TRACK

Recessed ceiling channel is manufactured of 18 gauge steel, 1" deep, recessed from panel face. The ceiling channel is provided with continuous light and sound seal at the ceiling and can be attached to the ceiling grid by means of non-damaging clips or screwed through a drywall ceiling or soffit.

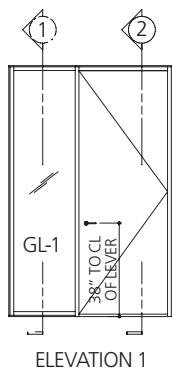
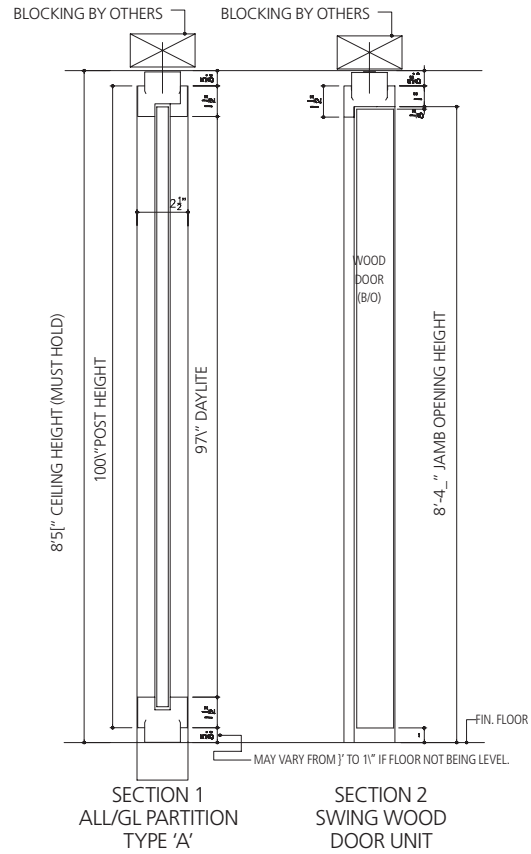
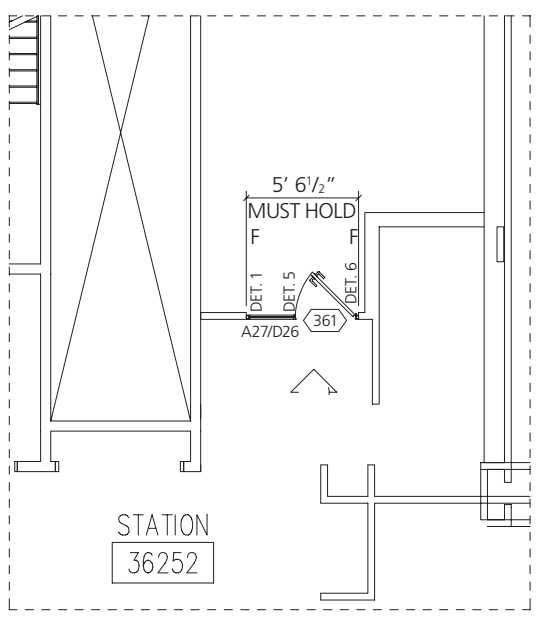
## FLOOR TRACK

The floor channel is manufactured of 18 gauge steel. Acme 50 can be installed either before carpet is installed or on top of carpet. The system can also be installed on top of VCT tile, stone or other hard surfaces. The floor channel is attached by either nailing into the floor or with screws (for finished floor applications).

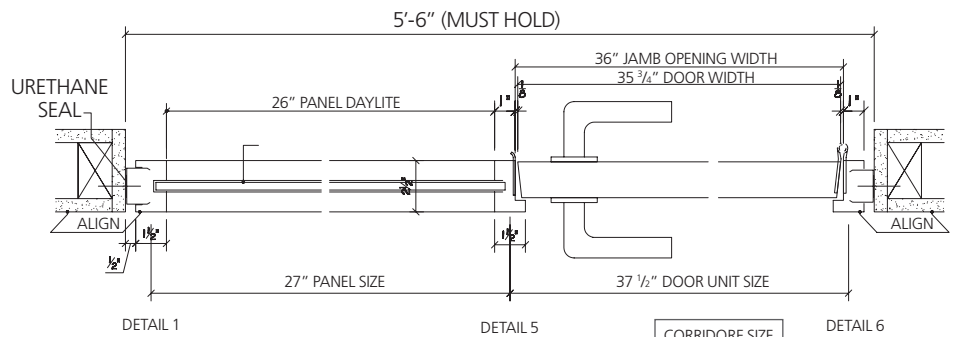


# TYPICAL DRAWING PACKAGE

A typical drawing package will include a floor plan, sections details, and elevations. A glass legend will be supplied along with an other information that pertains for the project.



GLASS LEGEND  
GL-1 = 1/2" THK. CLEAR TEMPERED

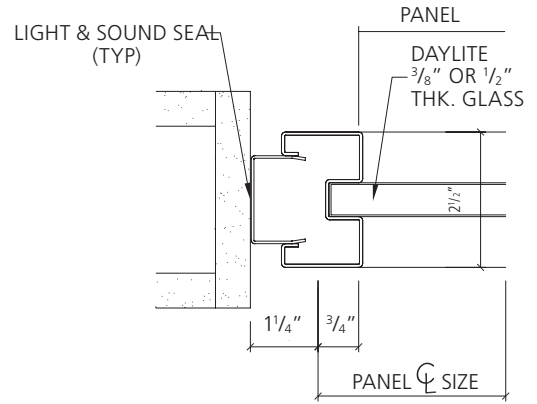
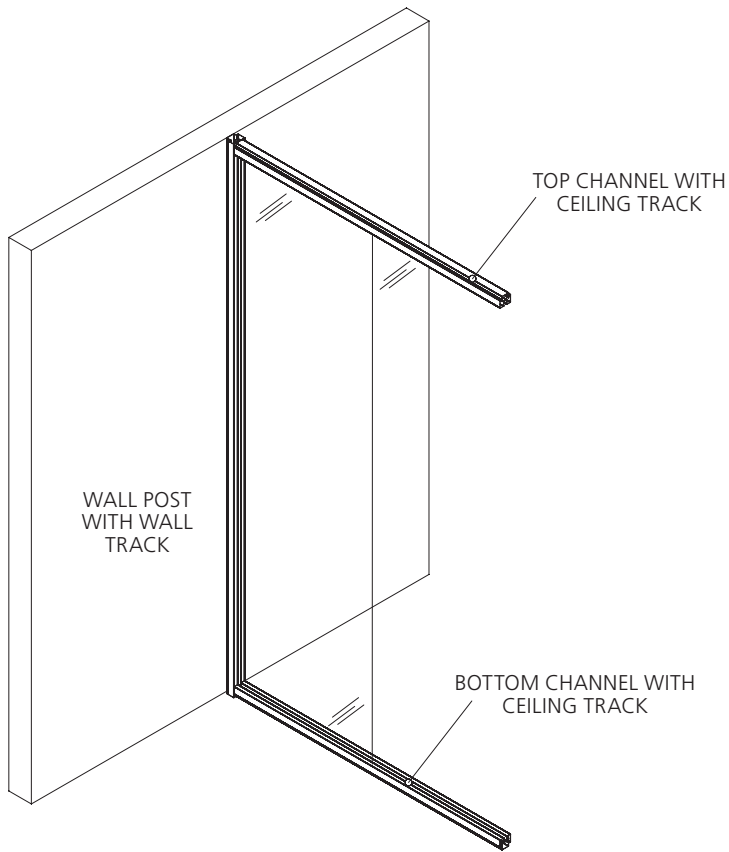


# TRIM & CONNECTORS

## WALL POST CONDITION

Wall start posts are available in heights of 96"-120". Finished in a matching powder coat painted finish. Wall start condition can also be a door jamb.

**Note: Wall posts run floor to ceiling.**



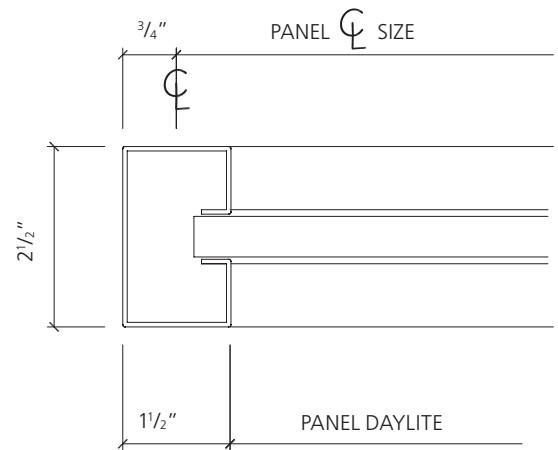
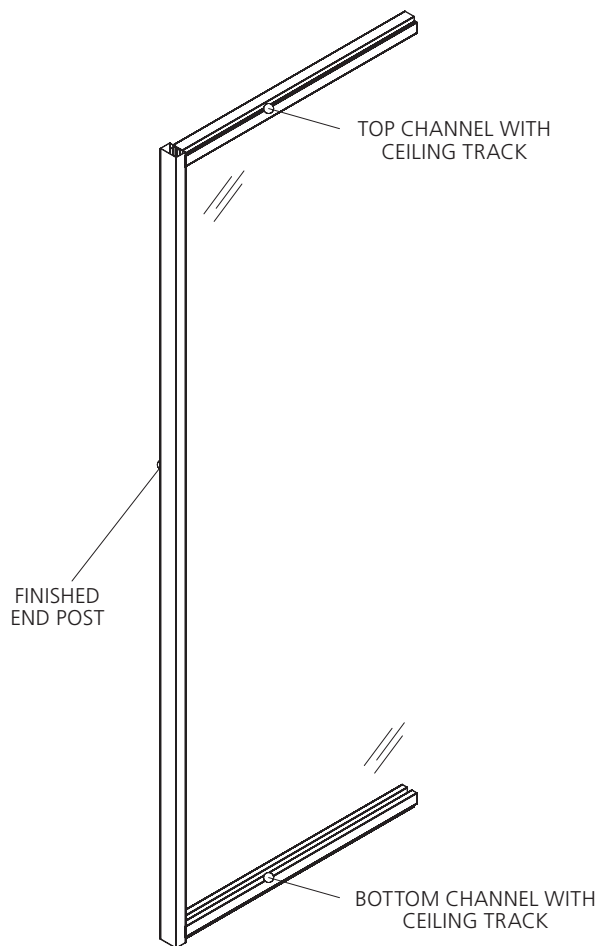


# TRIM & CONNECTORS

## FINISHED END CONDITION

Finished end posts are available in heights of 96" - 120". Finished in a matching powder coat painted finish.

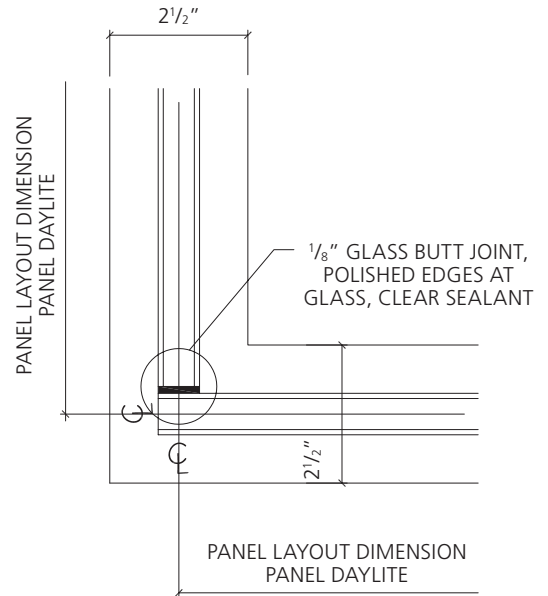
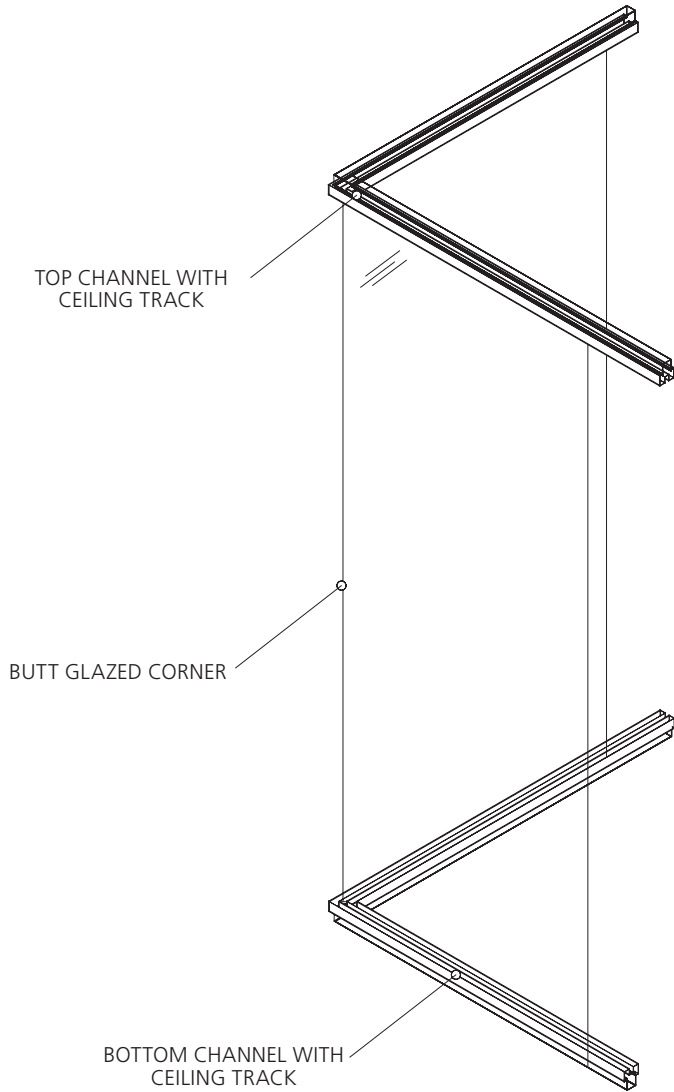
**Note: Finished end posts runs floor to ceiling.**



# TRIM & CONNECTORS

## CORNER CONDITION

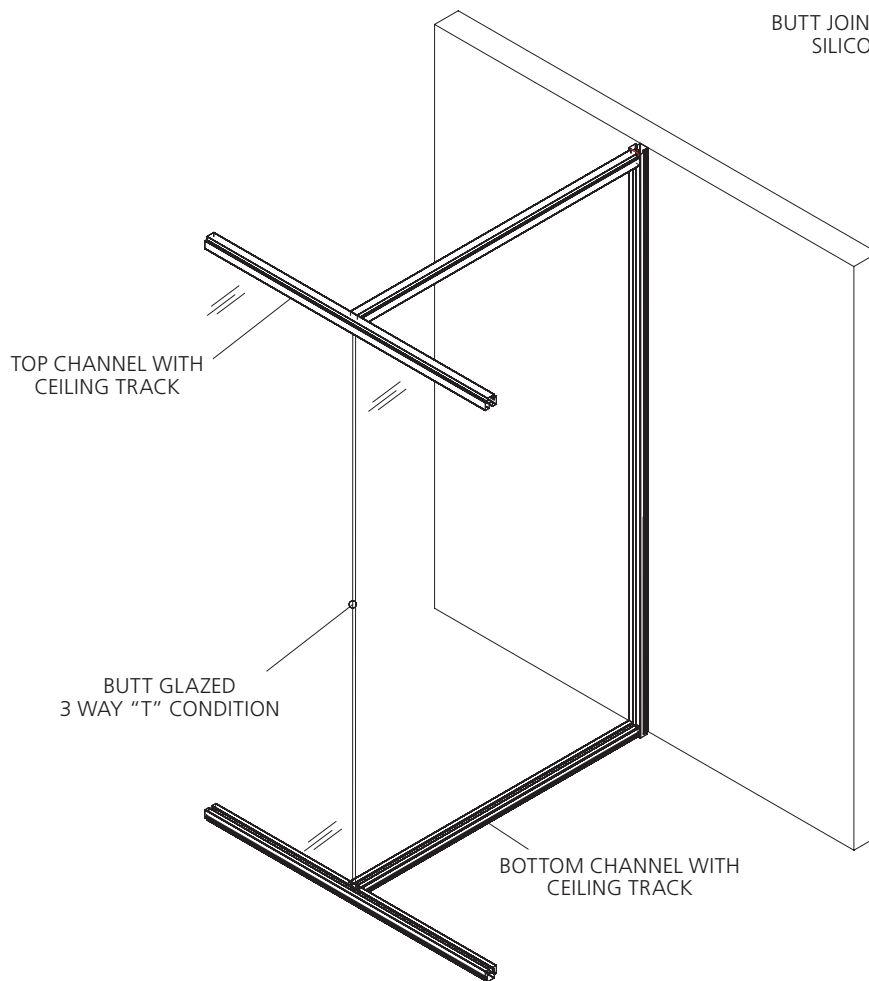
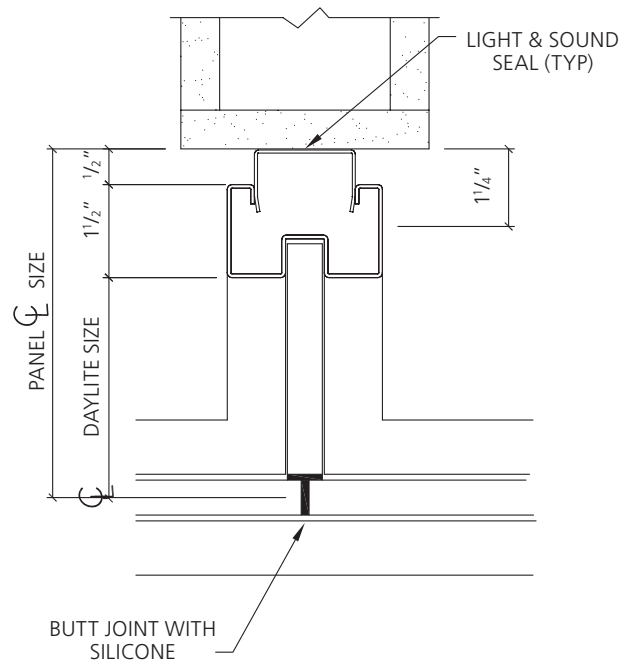
Our unique Butt Glazed Seamless Corner has a post-less butt glazed design. Available in heights of 96"-120" and widths up to 120". Finished in a matching powder coat painted finish.



# TRIM & CONNECTORS

## 3 WAY "T" CORNER CONDITION

Our unique 3 Way "T" condition welded seamless condition has a post-less butt glazed design. Available in heights of 96"-120" and widths up to 120". Finished in a matching powder coat painted finish.

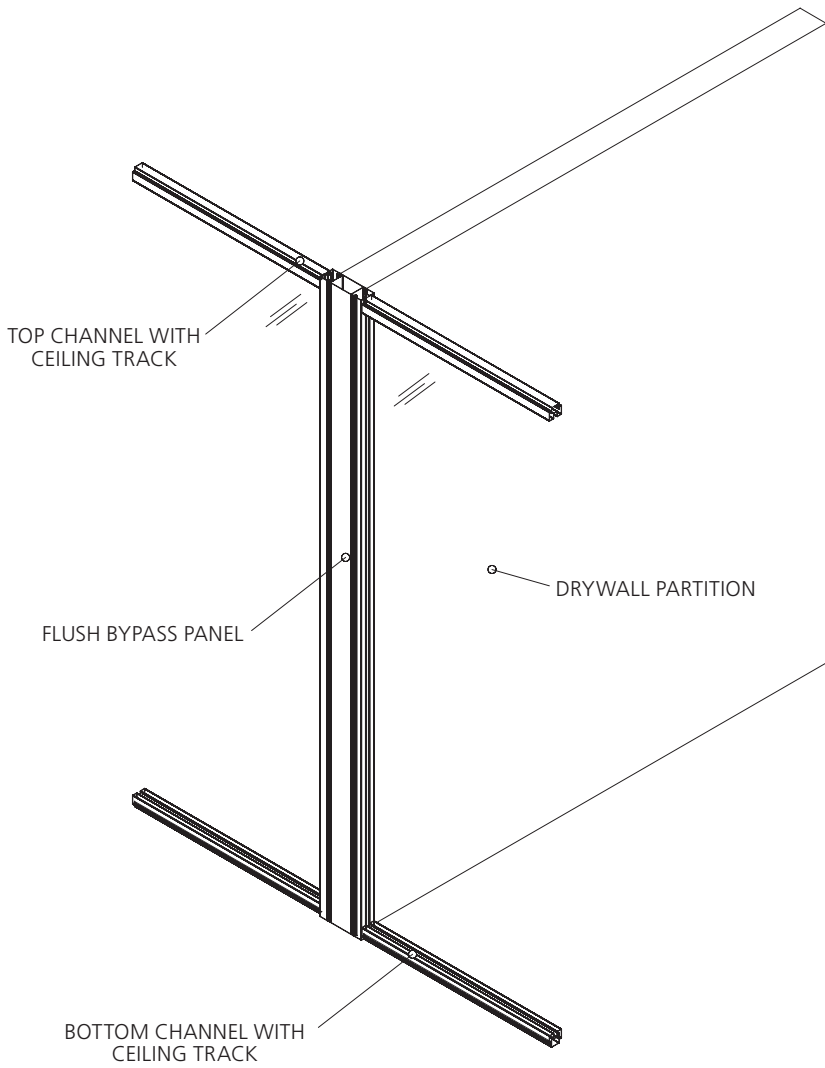
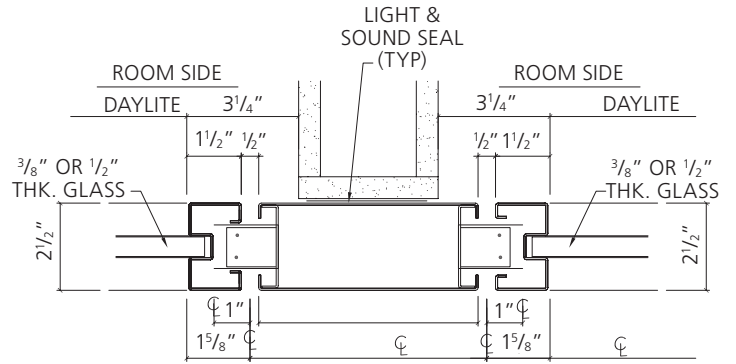


# TRIM & CONNECTORS

## BYPASS PANEL

One of several options to transition between offices, our bypass panels are made of 18 gauge steel. Available in heights of 96" - 120" and widths up to 120". Finished in a matching powder coat painted finish.

**Note:** Bypass panels run floor to ceiling.



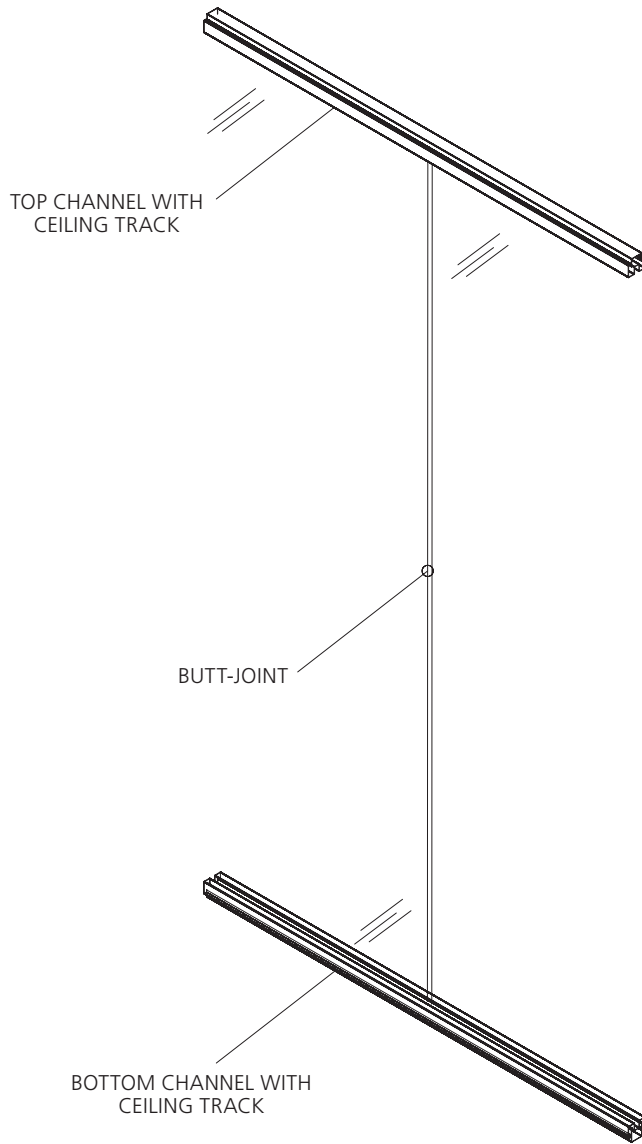
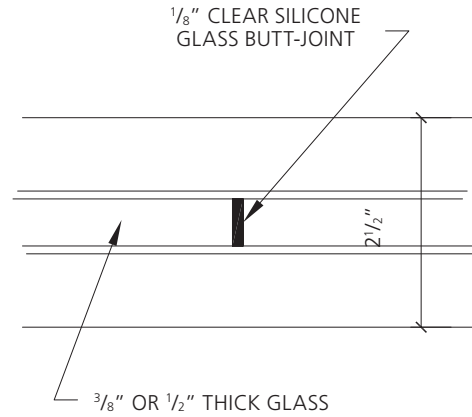


# TRIM & CONNECTORS

## BUTT-JOINT CONDITION

Butt-Joint Condition has (2) pieces of glass meeting end-to-end with  $\frac{1}{8}$ " clear silicone joint.

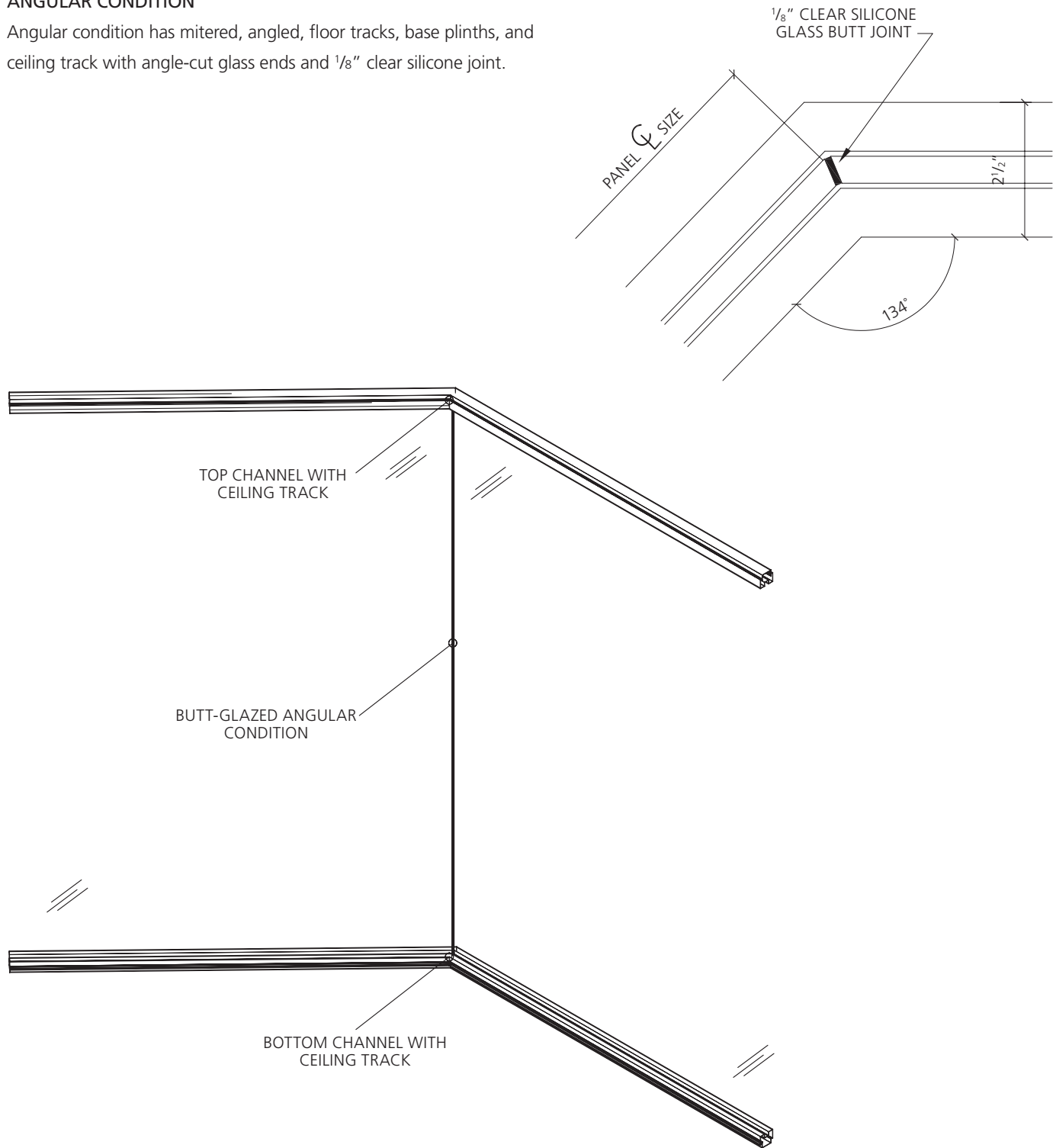
**Note: Butt-Joint conditions are used in any panel runs, keeping single glass panel widths under 48" maximum.**



# TRIM & CONNECTORS

## ANGULAR CONDITION

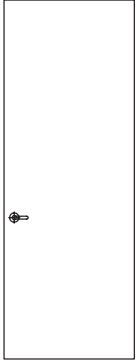
Angular condition has mitered, angled, floor tracks, base plinths, and ceiling track with angle-cut glass ends and 1/8" clear silicone joint.



# DOORS & FRAMES

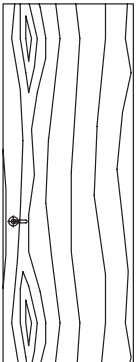
---

## DOOR OPTIONS - HINGED



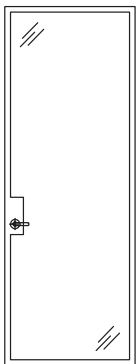
- 1¾" hinged flush metal doors
- 84"-108" height options, 36" unit width
- Single & pair option available
- Powder coated to match frame
- McKinney TA2714 hinges standard

**Note: Can accept a cylindrical and Mortise lockset. Available in a single or pair configuration.**



- 1¾" hinged flush wood doors
- 84"-108" height options, 36" unit width
- Laminate, Natural Veneer, Composite Veneer finish option
- Single & pair option available
- McKinney TA2714 hinges standard

**Note: Can accept a cylindrical and Mortise lockset. Available in a single or pair configuration.**



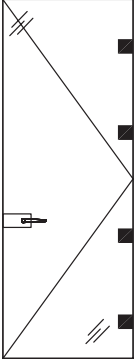
- 1¾" Hinged Framed Glass Door with Mortise Lockbox
- 84"-120" Height Options, 36" Unit Width
- Single & Pair Option Available
- Door Frame Shall Be Powder Coated
- ¾" or ½" Clear Tempered Glass Standard
- McKinney TA2714 hinges standard
- Tempered Glass Only in Lock Box Doors

**Note: Corbin Russwin ML2000 standard, but compatible with any ANSI Standard Mortise or Cylindrical lockset. Available in a single or pair configuration.**

# DOORS & FRAMES

---

## DOOR OPTIONS - HINGED



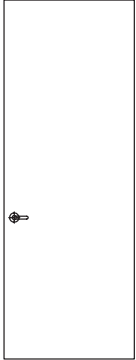
- $\frac{3}{8}$ " Clear Tempered Frameless Glass Hinged Doors
- 84"-120" height options, 36" unit width
- Single option only
- Casma 13100.611 hinges standard

**Note: Frameless glass door hardware included using Casma Lockset or passage set with hinges. This is the only hardware that can be applied to this door.**

# DOORS & FRAMES

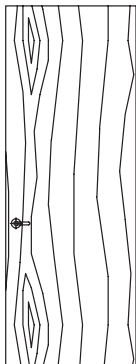
---

## DOOR OPTIONS - PIVOT



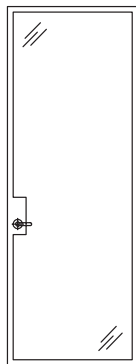
- 1 3/4" Offset Pivot Flush Metal Doors
- 84"-108" height options, 36" unit width
- Single only available
- Powder coated to match frame
- Rixson 117-3/4 offset pivot standard

**Note: Can accept a cylindrical and Mortise lockset. Available in a single or pair configuration.**



- 1 3/4" Offset Pivot Flush Wood Doors
- 84"-108" height options, 36" unit width
- Laminate, Natural Veneer, Composite Veneer finish option
- Single only available
- Rixson 117-3/4 offset pivot standard

**Note: Can accept a cylindrical and Mortise lockset. Available in a single or pair configuration.**



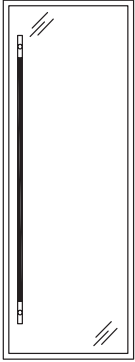
- 1 3/4" Offset Pivot Framed Glass Door with Mortise lock box
- 84"-120" height options, 36" unit width
- Single only available
- Powder Coated to match frame
- 3/8" & 1/2" Clear Tempered Glass Standard
- Rixson 117-3/4 offset pivot standard
- Tempered glass only in lock box doors

**Note: Corbin ML2000 standard, but compatible with any US Commercial Mortise lockset. Also Available in a single or pair configuration.**

# DOORS & FRAMES

---

## DOOR OPTION - SLIDING



- 1 $\frac{3}{4}$ " Sliding Full Lite door
- 84"-120" height options, 40 $\frac{3}{4}$ " unit width
- Single & pair option
- Door framing is powder coated
- $\frac{3}{8}$ " Clear Tempered Glass Standard,  $\frac{1}{2}$ " Glass not available in sliding doors

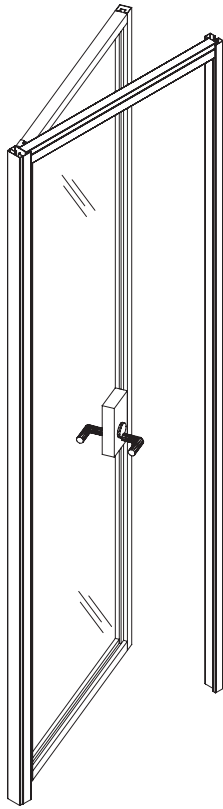
**Note: Sliding doors includes using a pull, track and deadbolt, if locking requirement requested.**

**Note: Before using sliding doors on your project, please confirm with city codes the use of sliding doors as an only way of egress from smaller offices or conferences rooms. Certain cities ban the use of sliding doors.**

# DOORS & FRAMES

---

## FRAMES



### HINGED

Full Height Door Frames.

Single unit width available in 36" width.

Pair unit width available in 72" width.

Available in heights 84"-120" full height frames.

Only lock box doors and frameless glass doors can be used for heights greater than 108".

### PIVOT

Single unit width available in 36" width.

Pair units are not available

Available in heights 84"-120" full height frames.

Only lock box doors can be used for heights greater than 108".

### SLIDING DOOR

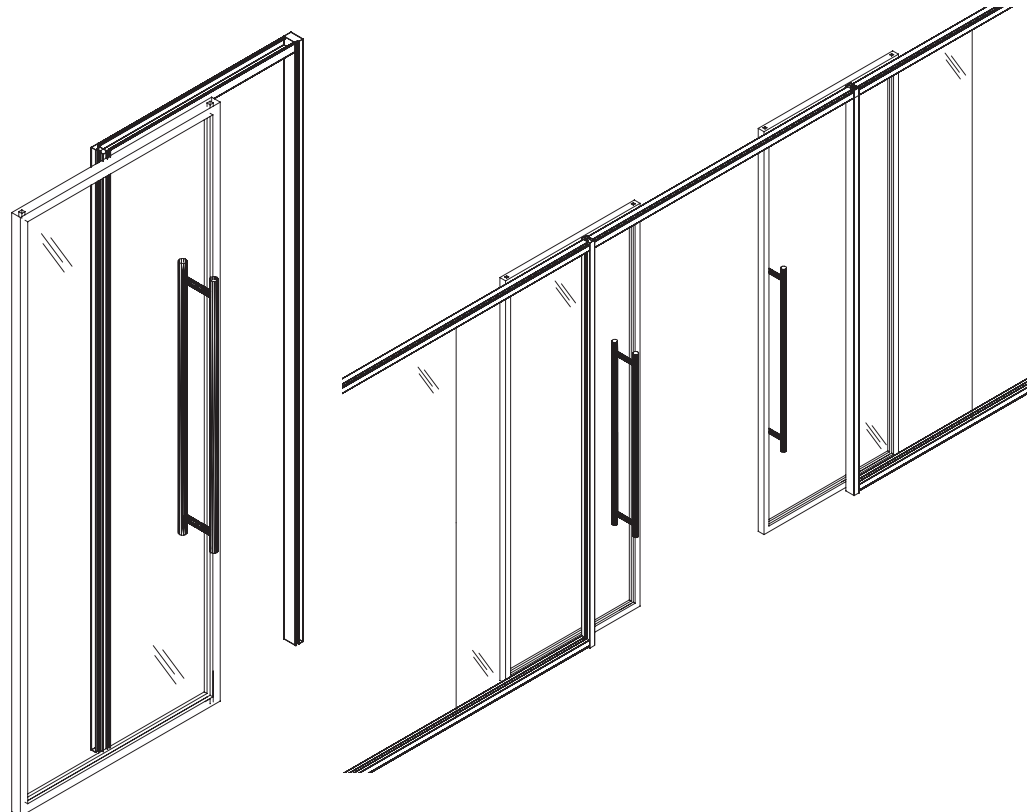
Frames for 1 $\frac{3}{4}$ " doors.

Single unit width available in 37 $\frac{3}{4}$ " width.

Pair unit width available in 78 $\frac{5}{8}$ " width.

Available in heights 84"-120". Full height frames.

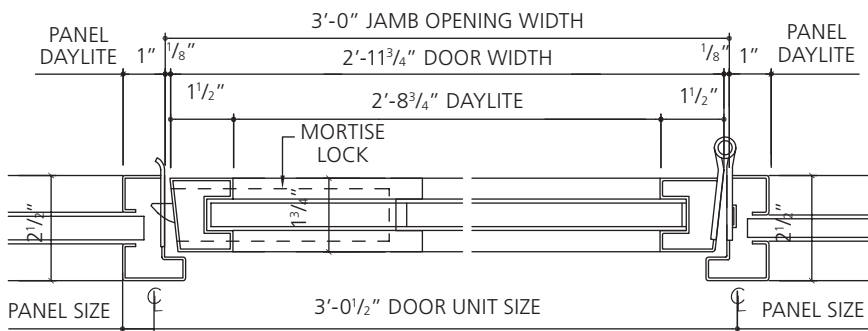
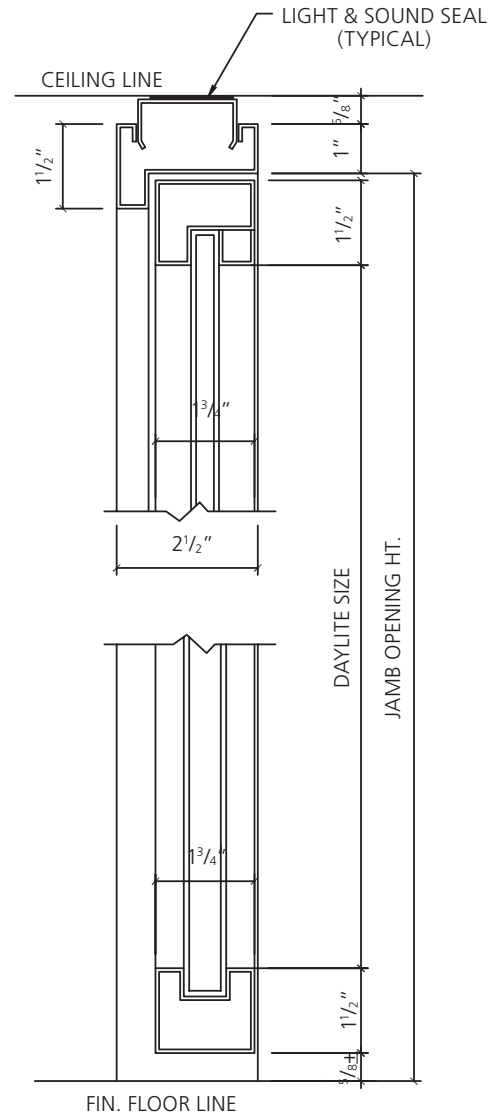
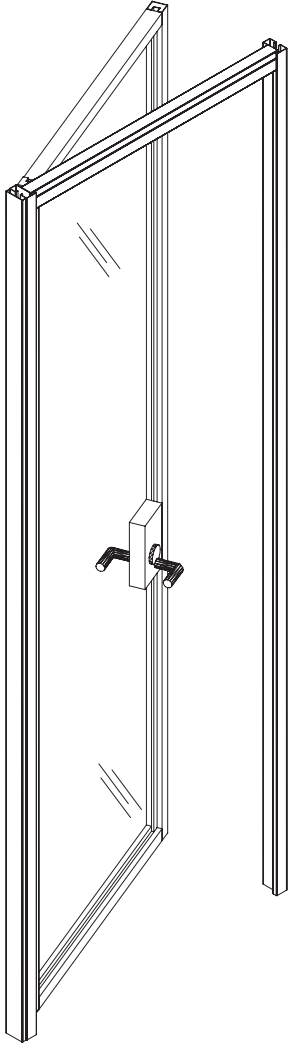
Door locks are supplied in the door jambs for locking doors and must use an interchangeable core.





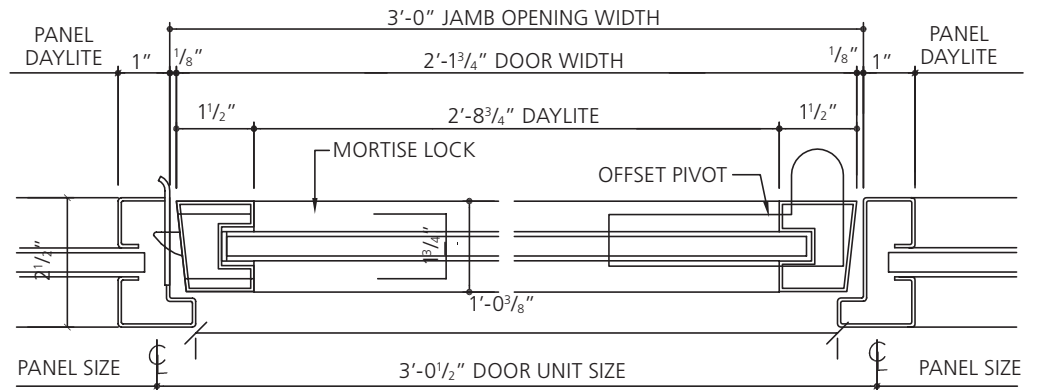
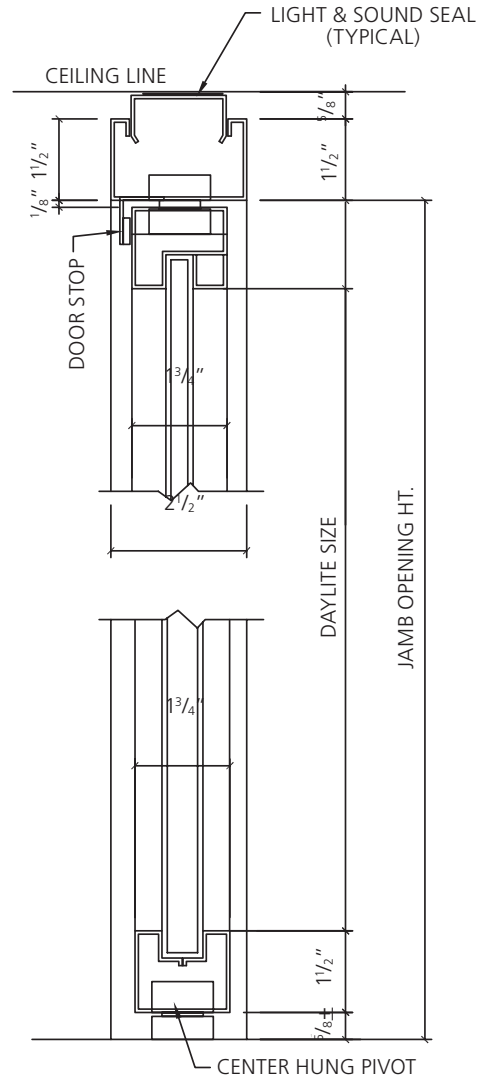
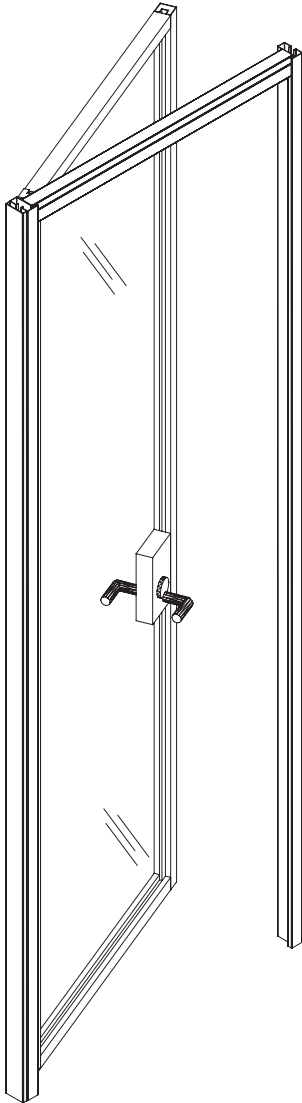
# DOORS & FRAMES

## FULL HEIGHT HINGED DOOR DETAILS



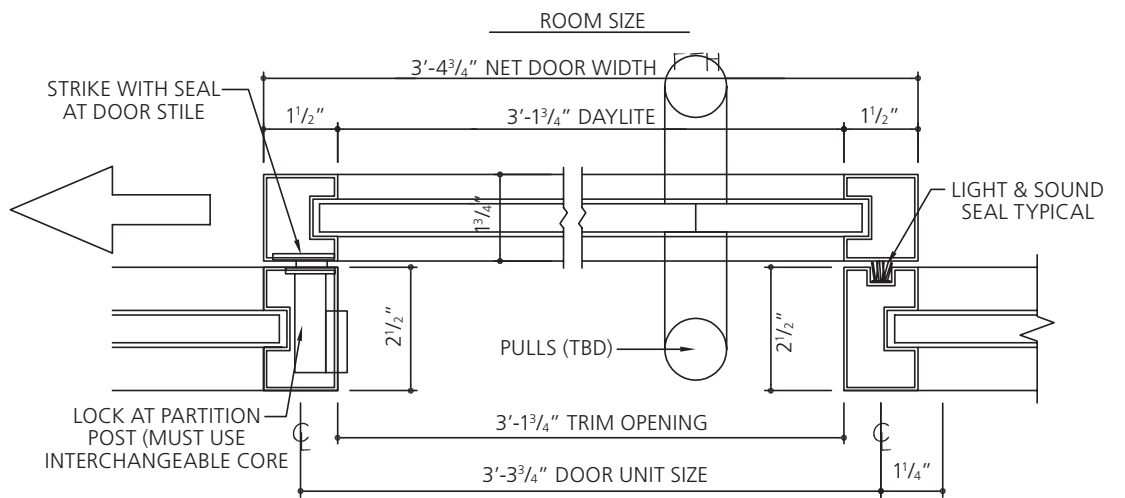
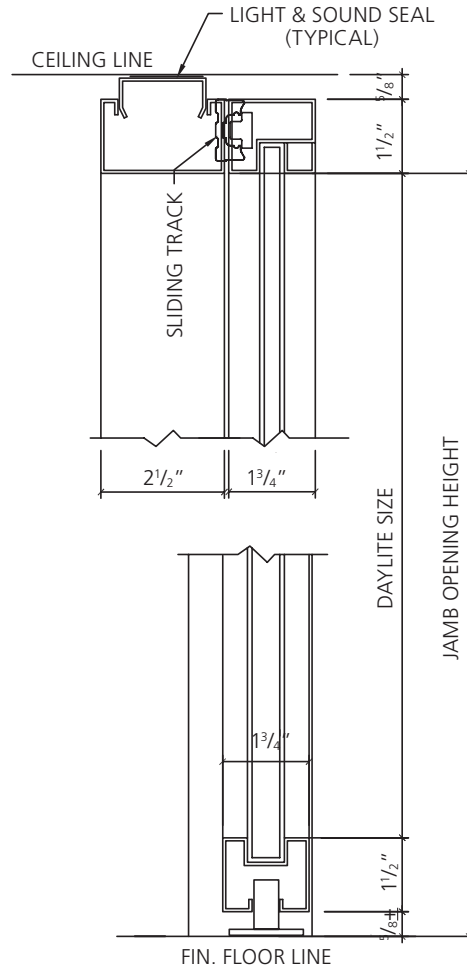
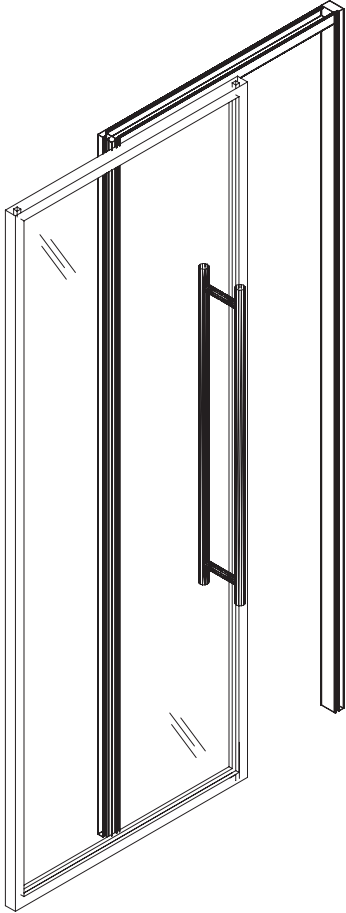
# DOORS & FRAMES

## FULL HEIGHT PIVOT DOOR DETAILS



# DOORS & FRAMES

## FULL HEIGHT SLIDING DOOR DETAILS



# DOORS & FRAMES

<b>HARDWARE</b>	<b>Corbin Russwin Mortise Lockset ML2051</b>	<b>Corbin Russwin Mortise Passage Latchset ML2010</b>	<b>Corbin Russwin Heavy Duty Cylindrical Lock CL3351 *</b>	<b>Corbin Russwin Heavy Duty Cylindrical Latch CL3310 *</b>	<b>Adams Rite MS1850S</b>	<b>Casma 1512 Passage Set</b>	<b>Casma 1500.611 Lockset</b>	<b>Rockwood 51" Pull RM3301</b>	<b>Rockwood 72" Pull RM3301</b>	<b>Rockwood 51" Pull LP3301DBD</b>	<b>Rockwood 72" Pull LP3301DBD</b>
Flush Metal Hinged Doors	O	O	O	S				O	O	O	O
Flush Wood Hinged Doors	O	O	O	S				O	O	O	O
Framed Glass Hinged Doors								S	O	O	O
Framed Glass Hinged Doors w/Lockbox	O	S									
Frameless Glass Hinged Doors						S	O	O	O	O	O
Flush Metal Pivot Doors	O	O	O	S				O	O	O	O
Flush Wood Pivot Doors	O	O	O	S				O	O	O	O
Framed Glass Pivot Doors								S	O	O	O
Framed Glass Pivot Doors w/Lockbox	O	S									
Framed Glass Sliding Doors					O			S	O	O	O

S = Standard; O = Option

\* Must specify interchangeable core cylinder

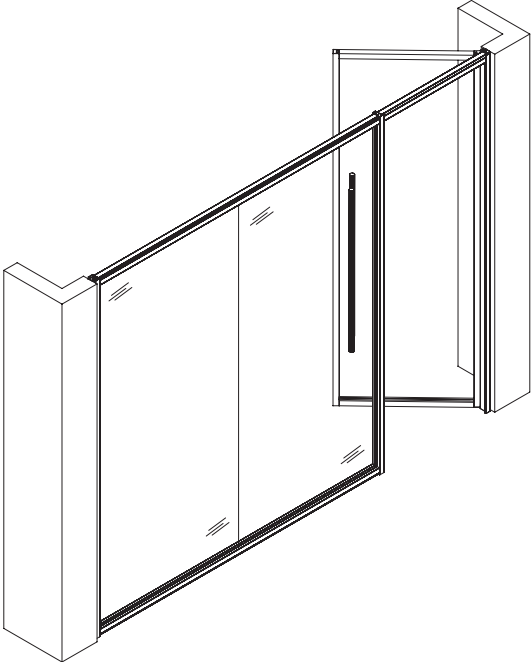
\*\* Ives RL30 Roller Latch standard with non-locking pulls

# TYPICAL APPLICATIONS

---

## SINGLE APPLICATIONS-DRYWALL TO DRYWALL

Single Office Front



Single Conference Room Front

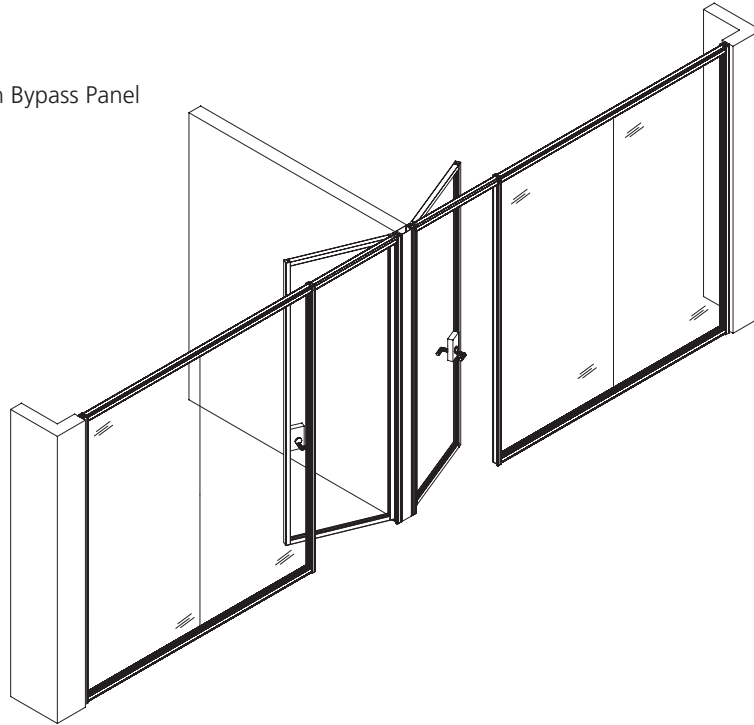


# TYPICAL APPLICATIONS

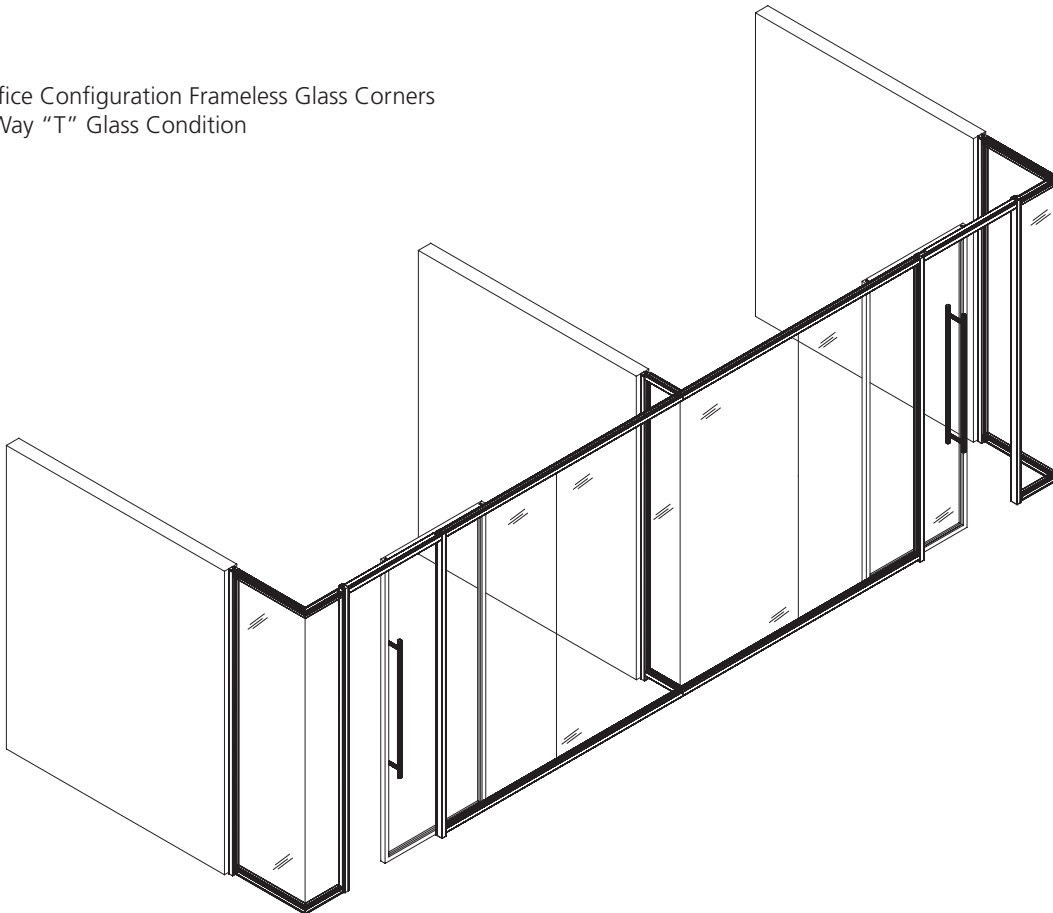
---

## TWO OFFICE CONFIGURATION

Two Office Configuration with Bypass Panel



Two Office Configuration Frameless Glass Corners and 3 Way "T" Glass Condition



# ACME 50 SPECIFICATION CHECK LIST

---

## QUOTATION/DRAWING CHECK

- All Glass/Door Frames/Door counts can be found on drawing and quote
- Door Type and Finishes are noted on drawing and priced in quote
- Connections (Corners, 3 Way, Finished Ends, and angle conditions) can be found on drawings and quote
- Correct ceiling height is called out on drawing
- Elevations match partition layout in floor plan and elevations show ceiling height
- Door hardware is priced in quote and noted on drawing
- Door hardware schedule is supplied (if required)
- Any specials are noted on drawings and quoted with lead time and SPA#
- Building Conditions are shown on drawing and priced in quote
- Angular Panel dimensions and degree of angle is shown in drawing
- Glass types, description and thickness are called out on drawing and quote
- Special glass is called on drawings and priced in quote
- Clear tempered mark will be supplied unless otherwise specified
- Field measurements must include ceiling heights at each door frame
- Keying and Master keying specifications are included





# INSCAPE

67 Toll Road  
Holland Landing, Ontario  
L9N 1H2

T 905.836.7676  
F 905.836.6000

[inscapesolutions.com](http://inscapesolutions.com)